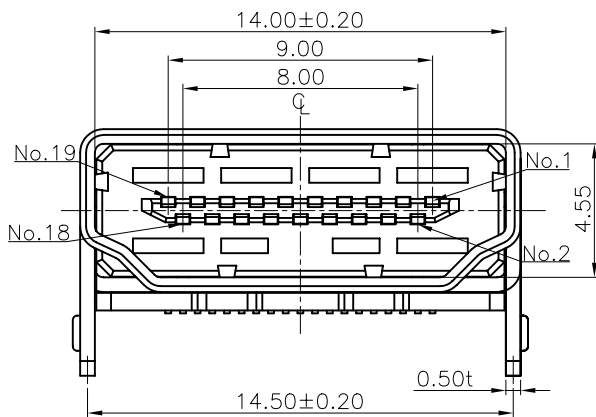
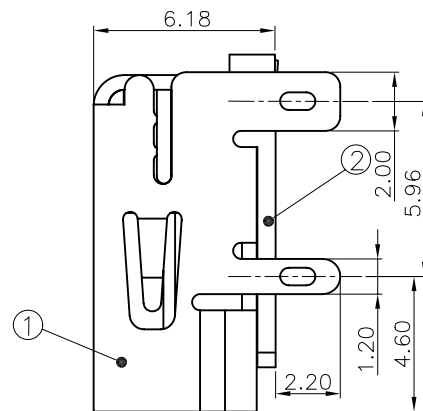
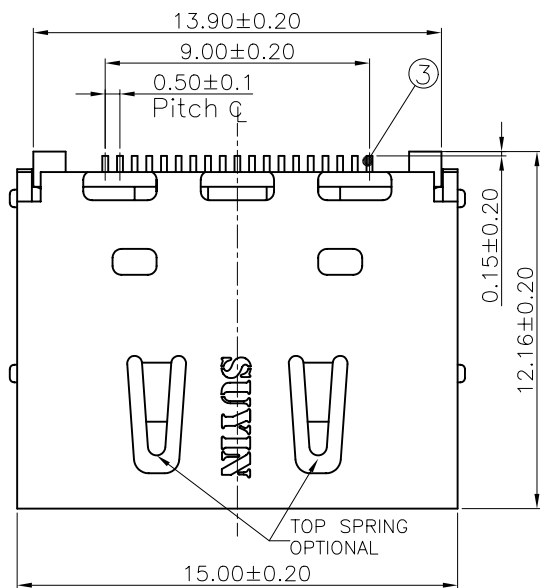




**RoHS Compliant**  
2002/95/EC



1 NOTES:  
100042MB019SX07ZA  
1

- 1.Plating
- S1-05u" Min. gold in contact area/  
100u" Min. Tin in solder area.
  - S2-Gold flash in contact area/  
100u" Min. Tin in solder area.
  - S3-10u" Min. gold in contact area/  
100u" Min. Tin in solder area.
  - S4-15u" Min. gold in contact area/  
100u" Min. Tin in solder area.
  - S5-30u" Min. gold in contact area/  
100u" Min. Tin in solder area.

3	Terminal	Copper Alloy	—	Gold/Tin Plated Over Ni
2	Housing	High Temp.	Black	UL 94V-0
1	Shell	Metal	—	Ni Plated
NO.	DESCRIPTION	MATERIAL	COLOR	REMARK

**SUYIN**  
CONNECTOR

CUSTOMER COPY	TITLE: HDMI Receptacle SMT Type Female Connector Without Flange			
PART NO.	100042MB019SX07ZA			
PRODUCT SPEC.	100042MX019XXXXZX			
FILE NAME.	D	100042MB019SX07ZA-C		
SCALE	4:1	UNIT:mm	A4	SHEET: 1 of 3

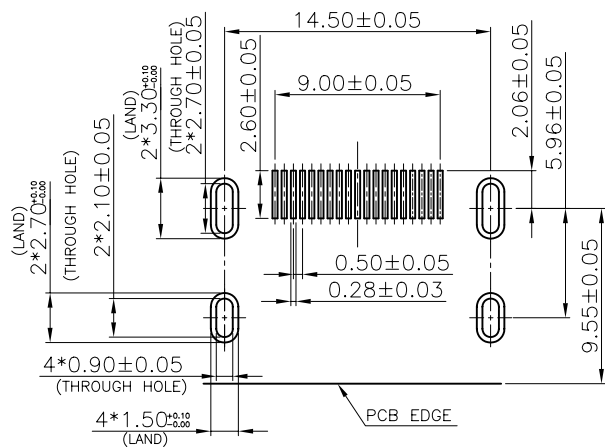
						Angle	±2'	DRAW	李楠	06'/11/29
						30 ~	±0.50	DESIGN	李楠	06'/11/29
	0		NEW RELEASE	李楠	童俐	10 ~ 30	±0.30	CHECK	鄭冰雨	06'/11/29
	PO 06'/09/01		NEW	李楠	童俐	~ 10	±0.15	APPRO.	童俐	06'/11/29
ECN(DCN) NO.	REV	DATE	DESCRIPTION	CHANGE	APPRO.	GENERAL TOLERANCE UNLESS OTHERWISE NOTED				

Original: Draw: 李楠 Design: 李楠 Check: 鄭冰雨 Appro: 童俐 發行日期: 06/09/01

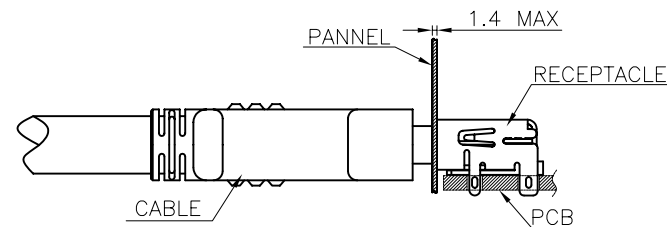
061129-BM032



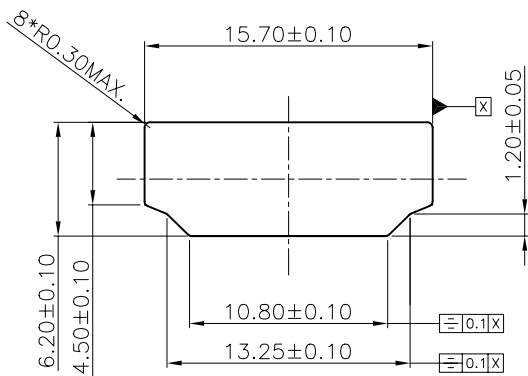
**RoHS Compliant**  
2002/95/EC



RECOMMENDED PCB LAYOUT (THICKNESS=1.6±0.15mm)



REFERENCE MOUNT DIMENSION



REFERENCE PANEL CUT OUT DIMENSION

3	Terminal	Copper Alloy	—	Gold/Tin Plated Over Ni
2	Housing	High Temp.	Black	UL 94V-0
1	Shell	Metal	—	Ni Plated
NO.	DESCRIPTION	MATERIAL	COLOR	REMARK

**SUYIN**  
CONNECTOR

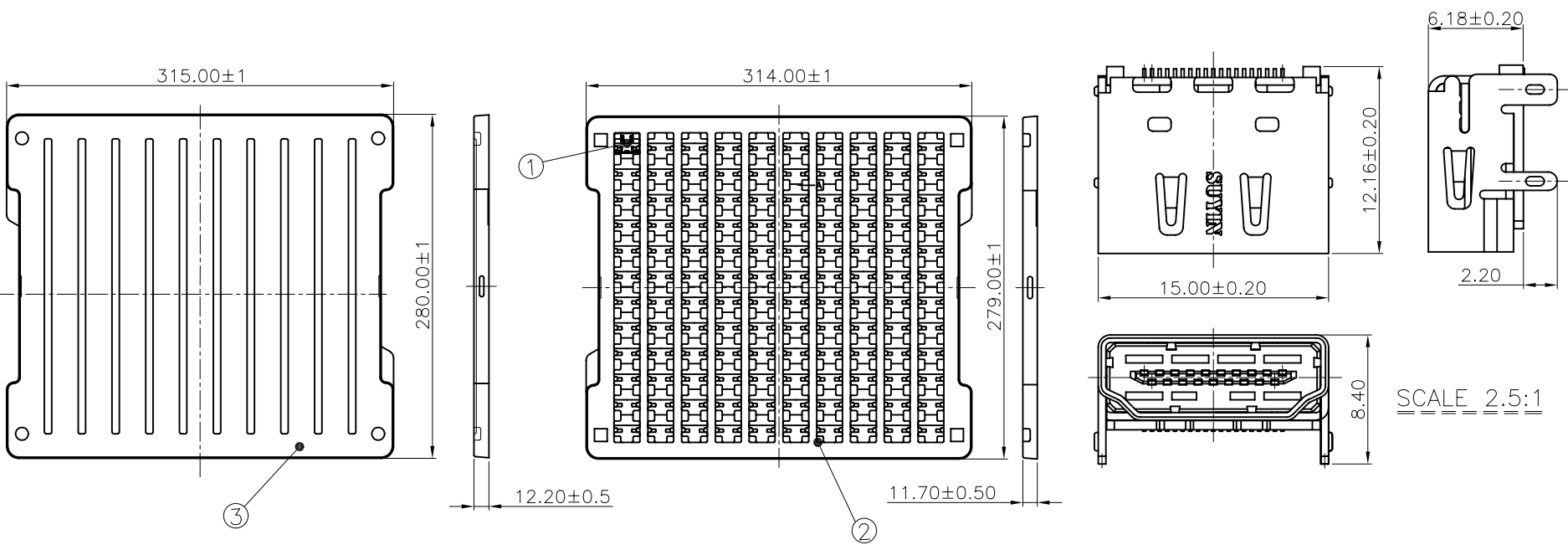
CUSTOMER COPY	TITLE: HDMI Receptacle SMT Type Female Connector Without Flange			
PART NO.	100042MB019SX07ZA			
PRODUCT SPEC.	100042MX019XXXXZX			
FILE NAME.	D	100042MB019SX07ZA-C		
SCALE	2.5:1	UNIT:mm	A4	SHEET: 2 of 3

ECN(DCN) NO.	REV	DATE	DESCRIPTION	CHANGE	APPRO.	GENERAL TOLERANCE UNLESS OTHERWISE NOTED	Angle	±2'	DRAW	李 楠	06'/11/29
	0		NEW RELEASE	李 楠 童 俐			30 ~	±0.50	DESIGN	李 楠	06'/11/29
	PO 06'/09/01		NEW	李 楠 童 俐			10 ~ 30	±0.30	CHECK	鄭冰雨	06'/11/29
							~ 10	±0.15	APPRO.	童 俐	06'/11/29

Original: Draw: 李 楠 Design: 李 楠 Check: 鄭冰雨 Appro: 童 俐 發行日期: 06/09/01

061129-BM032

1 2 3 4 5 6 7 8 9 10 11 12 13 14 15 16 17



SCALE 2.5:1

1 Package Information

Part Number	Q'ty per Tray
100042MB019SX07ZA	120 pcs

NOTE:1.ALL dimensions toerance are:  
±0.30mm unless otherwise specified.  
2.TRAY(BOTTOM):T=0.70mm  
TRAY(COVER):T=0.70mm

3	TRAY(TOP)	PVC	TRANS	——
2	TRAY(BOTTOM)	PVC	TRANS	——
1	Product	——	——	100042MB019SX07ZA
NO.	DESCRIPTION	MATERIAL	COLOR	REMARK

<b>SUYIN</b> CONNECTOR				
CUSTOMER COPY	TITLE: HDMI Receptacle SMT Type Female Connector Without Flange			
PART NO.		100042MB019SX07ZA		
PRODUCT SPEC.		100042MX019XXXXZX		
FILE NAME.	D TING	100042MB019SX07ZA-C		
SCALE	1:5	UNIT:mm	A4	SHEET: 3 of 3

						Angle	±2'	DRAW	李楠	06'/11/29
						30 ~	±0.50	DESIGN	李楠	06'/11/29
	0		NEW RELEASE	李楠	童俐	10 ~ 30	±0.30	CHECK	鄭冰雨	06'/11/29
	PO 06'/09/01		NEW	李楠	童俐	~ 10	±0.15	APPRO.	童俐	06'/11/29
ECN(DCN) NO.	REV	DATE	DESCRIPTION	CHANGE	APPRO.	GENERAL TOLERANCE UNLESS OTHERWISE NOTED				