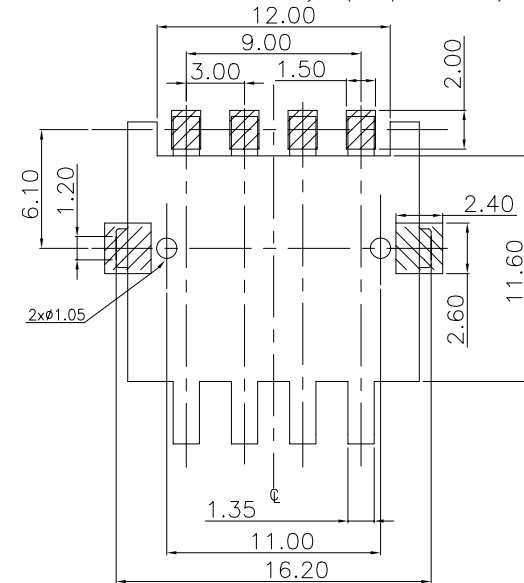


NOTE:
300004MB004□□00ZL

1. Selective plating
G1-05u" Gold over Nickel.
G2-Indicate Gold flash.
G3-10u" Gold over Nickel.
G4-15u" Gold over Nickel.
G5-30u" Gold over Nickel.
G6-50u" Gold over Nickel.

Recommended P.C.B Layout(Component Side)



Notes:

1. This dimension should Keep 4.0~6.0mm during battery installation(AFTER LIFE TEST)
2. Life cycle over 5000 times(Testing Stork=2.5MM)
3. Working height 1.5 Contact Force 70~130 grams
4. Maximun stroke 3.0±0.2mm
5. Contact resistance<40mΩ
6. Current: 1A
7. Rated voltage : DC 20V
8. "*"symbols indicate key dimensions

NO.	DESCRIPTION	MATERIAL	COLOR	REMARK
3	FORK	Bronze	—	—
2	Terminal	Pho.Bronze	—	Gold/Tin
1	Housing	NY-6T	Black	UL 94V-0

SUYIN
CONNECTOR

CUSTOMER COPY TITLE:
3.00mm pitch battery conn-cradle

PART NO. 300004MB004GX00ZL

PART NO. (OLD) —

DRAWING NO. ^D/_{ING} 300004MB004GX00ZL

SCALE 5:1 UNIT mm A4

ECN (DCN) NO.	REV	DATE	DESCRIPTION	CHANGE	APPRO.	GENERAL TOLERANCE UNLESS OTHERWISE NOTED	APPRO.
	0		NEW	—	—	Angle ±2° 30 ~ ±0.50 10 ~ 30 ±0.30 ~ 10 ±0.15	DRAW DESIGN CHECK APPRO.