

IEC Appliance Inlet C14 with Filter, Front or Rear side Mounting



Snap-In Version with quick connect terminals
6.3 x 0.8 mm



Screw-On Version with
quick connect terminals 6.3 x 0.8 mm



Screw-On Version with flexible wires

**Description**

- Panel Mount:
Snap-in or screw-on mounting from front or rear-side
- 2 Functions:
Appliance Inlet, Line-filter in standard version
- Quick connect terminals or wires

Approvals

- VDE License Number: 40004665
- UL License Number: E72928

Characteristics

- Compact design with optimal shielding
- All single elements are already wired
- For standard applications
- Qualified for use in equipment according IEC/EN 60950

References

[General Product Information](#)

Weblinks

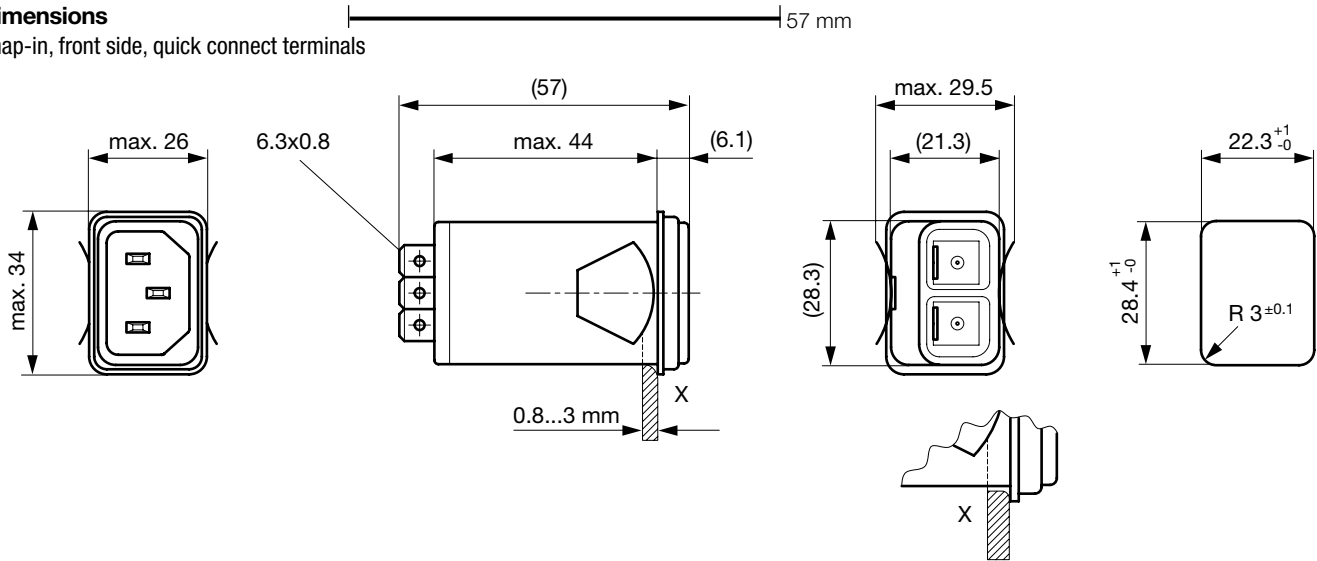
[Approvals, RoHS, CHINA-RoHS, Mating Connectors, e-Store, Distributor-Stock-Check, Accessories](#)

Technical Data

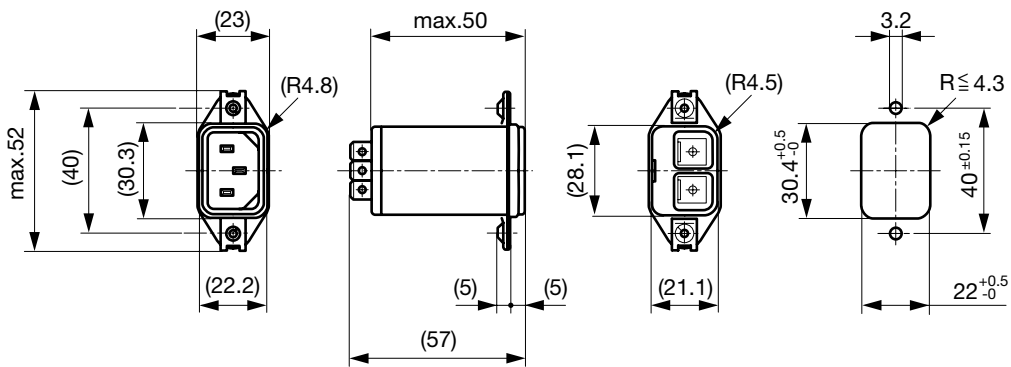
Ratings IEC	1 - 10A @ Ta 40 °C / 250VAC; 50Hz	Appliance-Inlet/-Outlet	C14 acc. to IEC/EN 60320-1, UL 498, CSA C22.2 no. 42 (for cold conditions) pin-temperature 70 °C, 10A, Protection Class 1
Ratings UL/CSA	1 - 10A @ Ta 40 °C / 125VAC; 60Hz	Line Filter	Standard Version, IEC 60939, UL 1283, EN 133 200, CSA C22.2 no. 8 Technical details
Dielectric Strength	> 1.7kVDC between L-N > 2.7kVDC between L/N-PE Test voltage (2 sec)	MTBF	> 3'100'000h acc. to MIL-HB-217 F
Impulse Withstand Voltage	> 2.5kV between L-N > 5kV between L/N-PE		
Allowable Operation Temp.	-25 °C to 85 °C		
Climatic Category	25/085/21 acc. to IEC 60068-1		
Degree of Protection	from front side IP 40 acc. to IEC 60529		
Protection Class	Suitable for appliances with protection class 1 acc. to IEC 61140		
Terminal	Quick connect terminals or wires Quick connect terminals 6.3 x 0.8 mm straight		
Panel Thickness s	Screw max 8mm Mounting screw torque max 0.5Nm Snap-in 1 mm to 3mm Aluminium 1.5-3 mm, steel 1-3 mm, not suitable for plastic material		
Material: Housing	Thermoplastic, black, UL 94V-0		

Dimensions

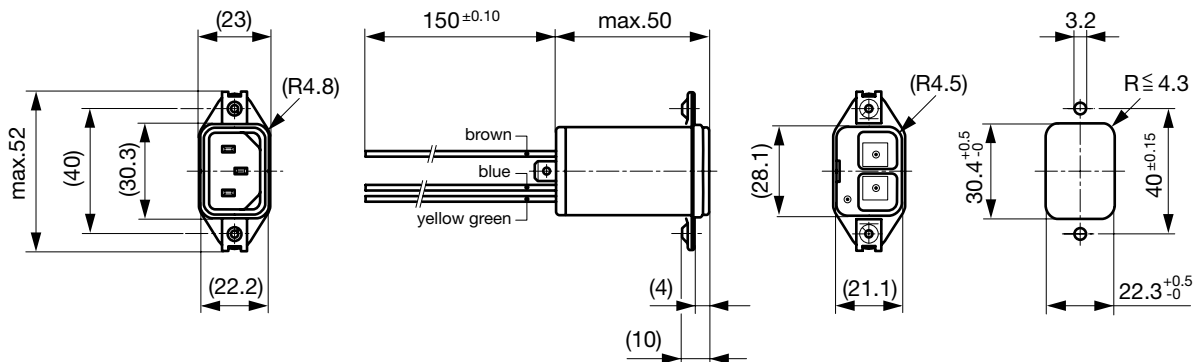
Snap-in, front side, quick connect terminals



Screw-on, rear side, quick connect terminal



Screw-on, rear side, flexible wires

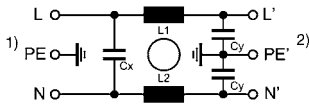


Technical Data of Filter-Components

Rated Current [A]	Inductances L [mH]	Capacitance CX [nF]	Capacitance CY [nF]
1	2 x 10	47	2.2
2	2 x 4	47	2.2
4	2 x 1.5	47	2.2
6	2 x 0.8	47	2.2
10	2 x 0.3	47	2.2

Diagrams

Standard version



- 1) Line
- 2) Load

Attenuation Loss

- - - differential mode ____ common mode

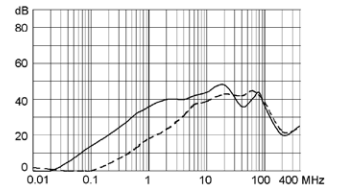
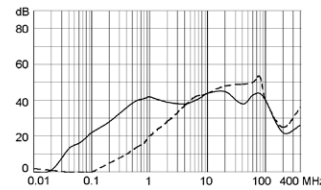
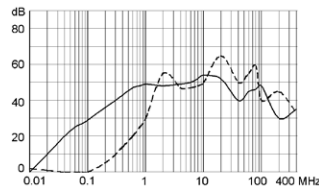
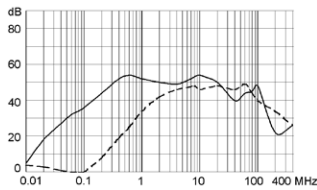
Standard version

1 A

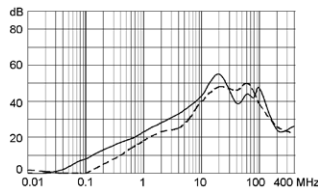
2 A

4 A

6 A



10 A



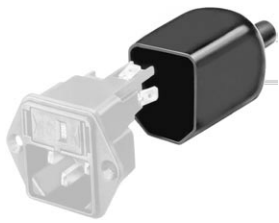
Variants

Rated Current [A]	Mounting	Panel mounting	Terminal	Order Number
1	Snap-in	Screw-on from front side	Quick connect terminals 6.3 x 0.8 mm	4300.5011
2	Snap-in	Screw-on from front side	Quick connect terminals 6.3 x 0.8 mm	4300.5012
4	Snap-in	Screw-on from front side	Quick connect terminals 6.3 x 0.8 mm	4300.5013
6	Snap-in	Screw-on from front side	Quick connect terminals 6.3 x 0.8 mm	4300.5014
10	Snap-in	Screw-on from front side	Quick connect terminals 6.3 x 0.8 mm	4300.5015
1	Screw	Screw-on from rear side	Quick connect terminals 6.3 x 0.8 mm	4300.5091
2	Screw	Screw-on from rear side	Quick connect terminals 6.3 x 0.8 mm	4300.5092
4	Screw	Screw-on from rear side	Quick connect terminals 6.3 x 0.8 mm	4300.5093
6	Screw	Screw-on from rear side	Quick connect terminals 6.3 x 0.8 mm	4300.5094
10	Screw	Screw-on from rear side	Quick connect terminals 6.3 x 0.8 mm	4300.5095
1	Screw	Screw-on from rear side	Flexible wire 18 AWG	4300.5071
2	Screw	Screw-on from rear side	Flexible wire 18 AWG	4300.5072
4	Screw	Screw-on from rear side	Flexible wire 18 AWG	4300.5073
6	Screw	Screw-on from rear side	Flexible wire 18 AWG	4300.5074
10	Screw	Screw-on from rear side	Flexible wire 18 AWG	4300.5075

Packaging unit 10 Pcs

Accessories

Description



Assorted Covers
Rear Cover

0859.0048

Mating Outlets/Connectors

Category / Description

Appliance Outlet Overview complete



IEC Appliance Outlet F, Screw-on Mounting, Front Side, Solder or Quick-connect Terminal	4787
IEC Appliance Outlet F, Snap-in Mounting, Front Side, Solder or Quick-connect Terminal	4788
IEC Appliance Outlet F or H, Screw-on Mounting, Front Side, Solder, PCB or Quick-connect Terminal	5091
IEC Appliance Outlet F or H, Screw-on Mounting, Front Side, Solder or Quick-connect Terminal	5092

[Appliance Outlet further types to FGS](#)

Connector Overview complete



IEC Connector C15, Rewireable, Straight	0101
IEC Connector C15A, Rewireable, Straight	0102
IEC Connector C15A, Rewireable, Straight	0102-G
IEC Connector C15A, Rewireable, Angled	0112
IEC Connector C13, Rewireable, Angled	4012

[Connector further types to FGS](#)

Power Cord Overview complete



Power Cord with IEC Connector C13, Angled	0311
Power Cord with IEC Connector C13, Angled	3011
Power Cord with IEC Connector C13, Angled	3012
Power Cord with IEC Connector C13, Angled	3013
Power Cord with IEC Connector C13	3020

[Power Cord further types to FGS](#)