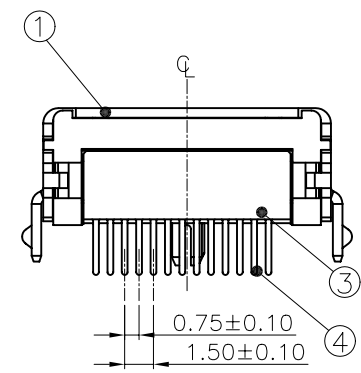
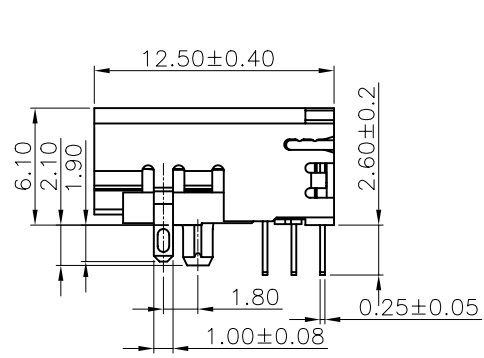
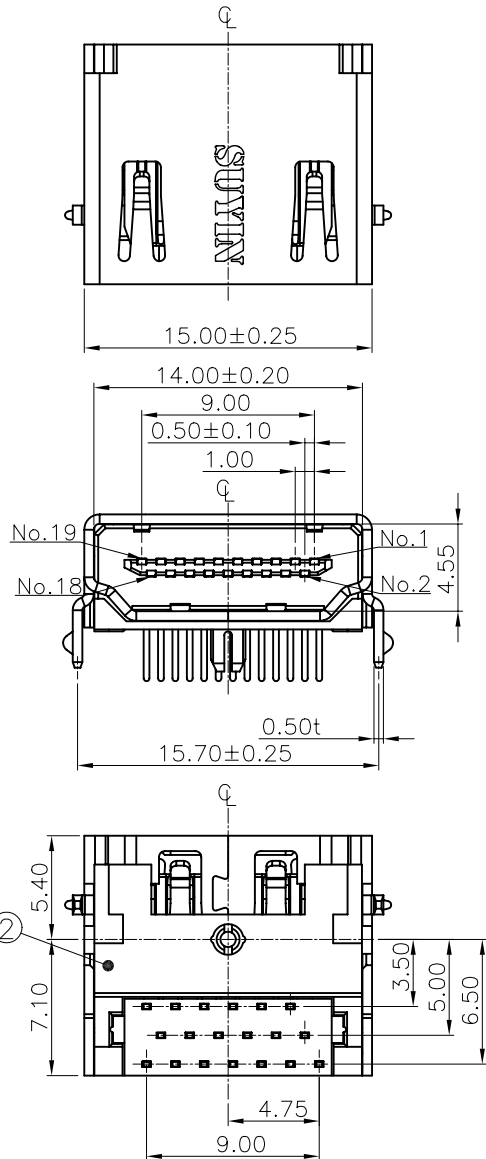




RoHS Compliant
2002/95/EC



- 1 NOTES:
100042MR019G□10ZA
1
1.Plating
G2- gold flash over nickel
G4-15u" gold over nickel.
G5-30u" gold over nickel.

NO.	DESCRIPTION	MATERIAL	COLOR	REMARK
4	Terminal	Copper Alloy		Gold Plated Over Ni
3	Cover	High Temp.	Black	UL 94V-0
2	Housing	High Temp.	Black	UL 94V-0
1	Shell	Metal		Ni Plated

SUYIN
CONNECTOR

CUSTOMER COPY	TITLE:	HDMI Right Angle Through Hole Type Female Conn Without Flange		
PART NO.		100042MR019GX10ZA		
PRODUCT SPEC.		100042MX019XXXXZX		
FILE NAME.	DWG	100042MR019GX10ZA-C		
SCALE	2.5:1	UNIT:mm	A4	SHEET: 1 of 3

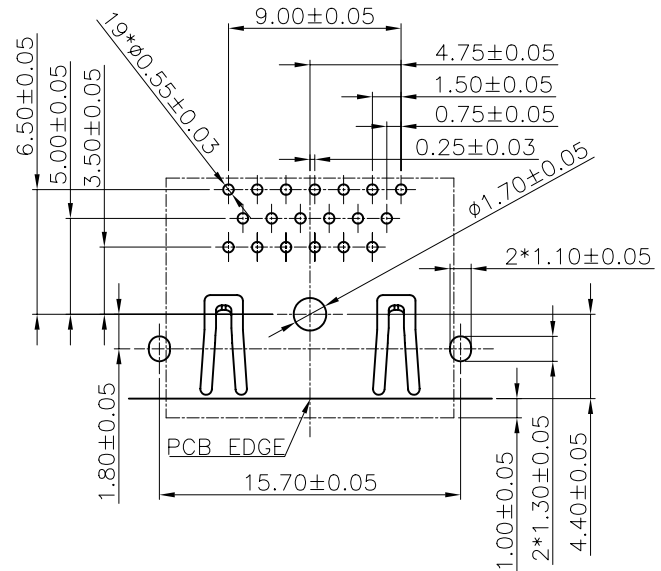
ECN(DCN) NO.	REV	DATE	DESCRIPTION	CHANGE	APPRO.	Angle	±2'	DRAW	李楠	06'/11/30
	0		NEW RELEASE	李楠童俐	30 ~	±0.50		DESIGN	李楠	06'/11/30
DCB-061113-10	PA	06'/11/13	PA1:電度SX->GX;	李楠童俐	10 ~ 30	±0.30		CHECK	鄭冰雨	06'/11/30
	P0	06'/09/02	NEW	李楠童俐	~ 10	±0.15		APPRO.	童俐	06'/11/30
						GENERAL TOLERANCE UNLESS OTHERWISE NOTED				

Original:Draw: 李楠 Design: 李楠 Check: 鄭冰雨 Appro: 童俐 發行日期: 06'/09/02

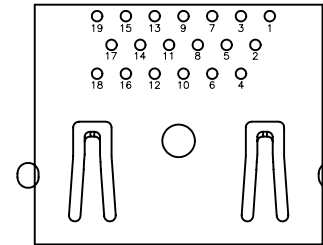
061130-BM031



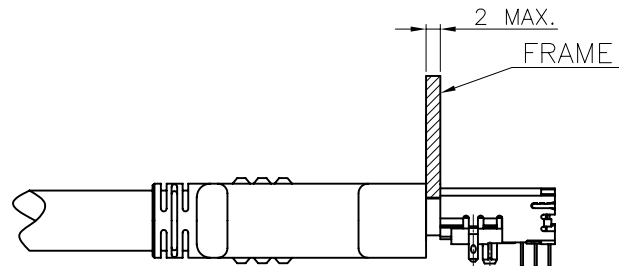
RoHS Compliant
2002/95/EC



RECOMMENDED PCB LAYOUT (THICKNESS=1.6±0.15mm)



REFERENCE PANEL CUT OUT DIMENSION



REFERNCE MOUNT DIMENSION

NO.	DESCRIPTION	MATERIAL	COLOR	REMARK
4	Terminal	Copper Alloy	—	Gold Plated Over Ni
3	Cover	High Temp.	Black	UL 94V-0
2	Housing	High Temp.	Black	UL 94V-0
1	Shell	Metal	—	Ni Plated

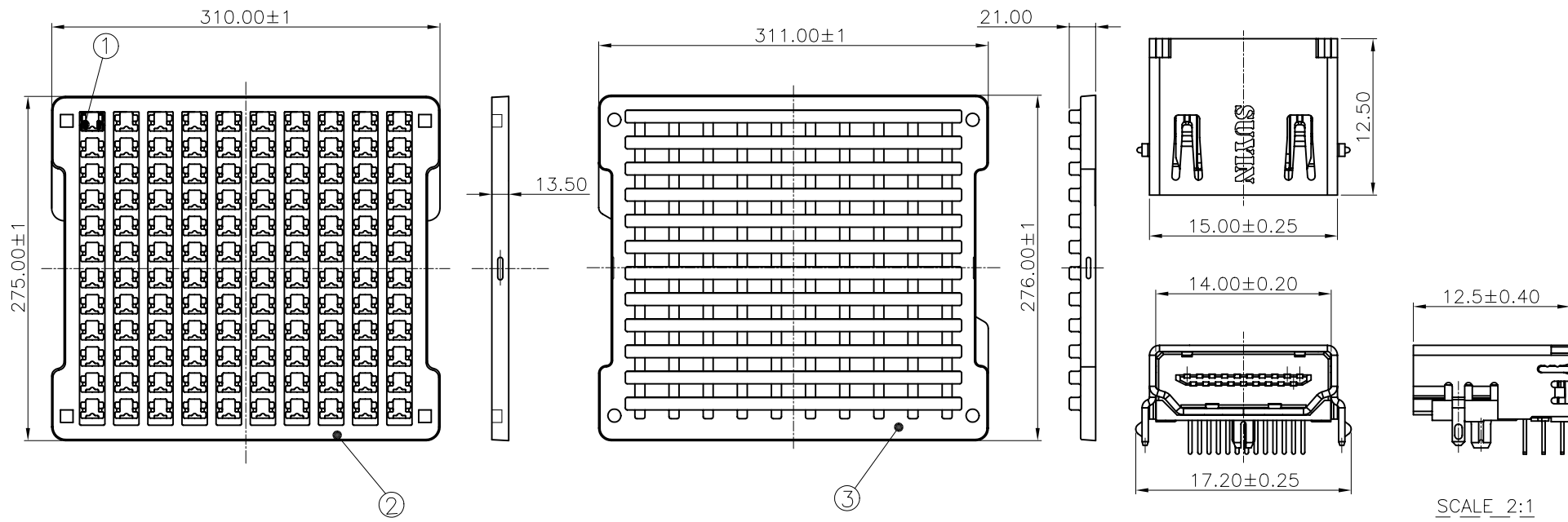
SUYIN
CONNECTOR

CUSTOMER COPY	TITLE:	HDMI Right Angle Through Hole Type Female Conn Without Flange		
PART NO.		100042MR019GX10ZA		
PRODUCT SPEC.		100042MX019XXXXZX		
FILE NAME.	DWG	100042MR019GX10ZA-C		
SCALE	2.5:1	UNIT:mm	A4	SHEET: 2 of 3

ECN(DCN) NO.	REV	DATE	DESCRIPTION	CHANGE	APPRO.	GENERAL TOLERANCE UNLESS OTHERWISE NOTED	ANGLE	±2°	DRAW	李楠	06'/11/30
DCB-061113-10	0		NEW RELEASE	李楠童俐		30 ~ ±0.50			DESIGN	李楠	06'/11/30
	PA	06'/11/13	PA1:電度SX->GX;	李楠童俐		10 ~ 30 ±0.30			CHECK	鄭冰雨	06'/11/30
	P0	06'/09/02	NEW	李楠童俐		~ 10 ±0.15			APPRO.	童俐	06'/11/30



RoHS Compliant
2002/95/EC



SCALE 2:1

1 Package Information

Part Number	Q'ty per tray
100042MR019GX10ZA	120 pcs

NOTE:1.ALL dimensions toerance are:
±0.30mm unless otherwise specified.
2.TRAY(BOTTOW):T=0.70mm
TRAY(Top):T=0.50mm

3	TRAY(TOP)	PVC	TRANS	———
2	TRAY(BOTTOM)	PVC	TRANS	———
1	Product	———	———	100042MR019GX10ZA
NO.	DESCRIPTION	MATERIAL	COLOR	REMARK

SUYIN
CONNECTOR

CUSTOMER COPY	TITLE:	HDMI Right Angle Through Hole Type Female Conn Without Flange		
PART NO.		100042MR019GX10ZA		
PRODUCT SPEC.		100042MX019XXXXZX		
FILE NAME.	DWG	100042MR019GX10ZA-C		
SCALE	1:5	UNIT:mm	A4	SHEET: 3of3

					Angle	±2'	DRAW	李楠	06'/11/30
	0		NEW RELEASE	李楠童俐	30 ~	±0.50	DESIGN	李楠	06'/11/30
DCB-061113-10	PA	06'/11/13	PA1:電度SX->GX;	李楠童俐	10 ~ 30	±0.30	CHECK	鄭冰雨	06'/11/30
	P0	06'/09/02	NEW	李楠童俐	~ 10	±0.15	APPRO.	童俐	06'/11/30
ECN(DCN) NO.	REV	DATE	DESCRIPTION	CHANGE	APPRO.	GENERAL TOLERANCE UNLESS OTHERWISE NOTED	APPRO.		