

**NEW**



HDMI Standard Digital Interface Connector

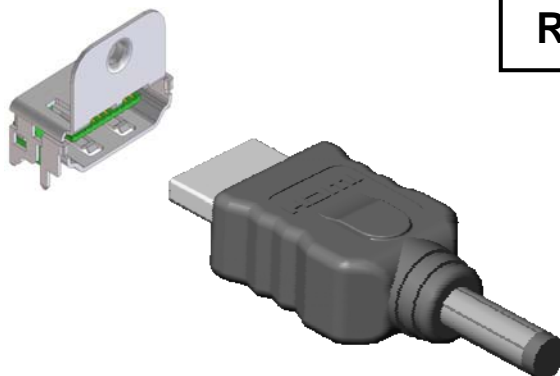
CONNECTOR

MB-0121-2

August 2008

## DC1 Series

**RoHS Compliant**



Recently, the market for digital consumer devices such as LCD TVs, PDP TVs, and DVD players has been rapidly growing along with the progress of digital high-definition television broadcasting.

The DC1 Series is a connector created specifically for use with the HDMI standard, a next generation digital interface standard for digital consumer devices.

\*HDMI, the HDMI Logo and High-Definition Multimedia Interface are trademarks or registered trademarks of HDMI Licensing LLC.

### Features

- 0.1mm pitch, compact connector
- Impedance-matching design for high-speed transmission
- Grounding structure for excellent EMI control
- Friction lock for easy insertion and removal of connector
- Receptacle connector available in surface mount type and through-hole mount type

### Applicable Markets

Digital television, LCD projector, Set-top box, DVD player, Blu-ray Disk recorder, etc.

### General Specifications

- No. of contacts: 19 pos.
- Dielectric withstanding voltage :  
AC 500V rms
- Contact resistance: 30m ohm max.
- Operating temperature:  
-20 Deg. C to +85 Deg. C
- Rated voltage: 0.5A max.
- Insulation resistance: 100M ohm min.
- Impedance: 100 ohm  $\pm$  15%

**Materials and Finishes**

**Receptacle**

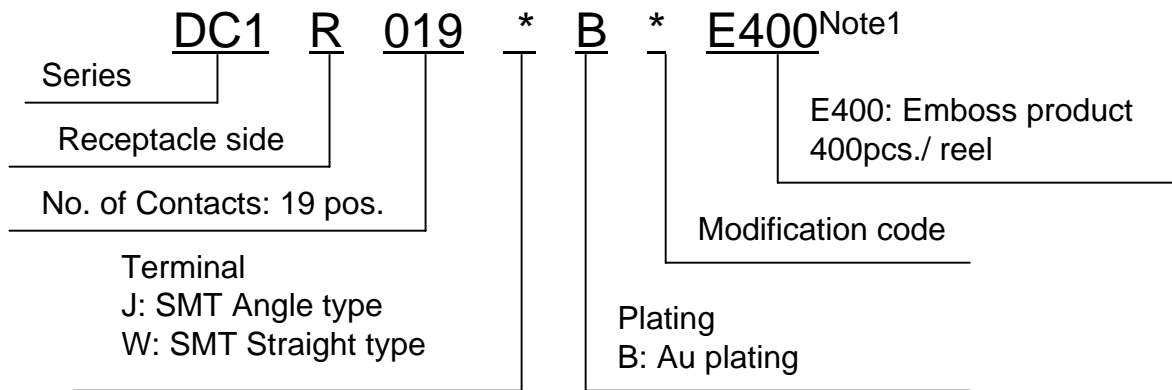
Component	Material/ Finish
Insulator	Heat resistant plastic
Contact	Copper alloy/ Au plating over Ni
Shell	Copper alloy/ Sn plating

**Plug (for Cable harness)**

Component	Material/ Finish
Insulator	Heat resistant plastic
Contact	Copper alloy/ Au plating over Ni
Shell	Copper alloy/ Sn plating
Hood	PVC/ Color: Black (UL94V-0)

**Ordering Information**

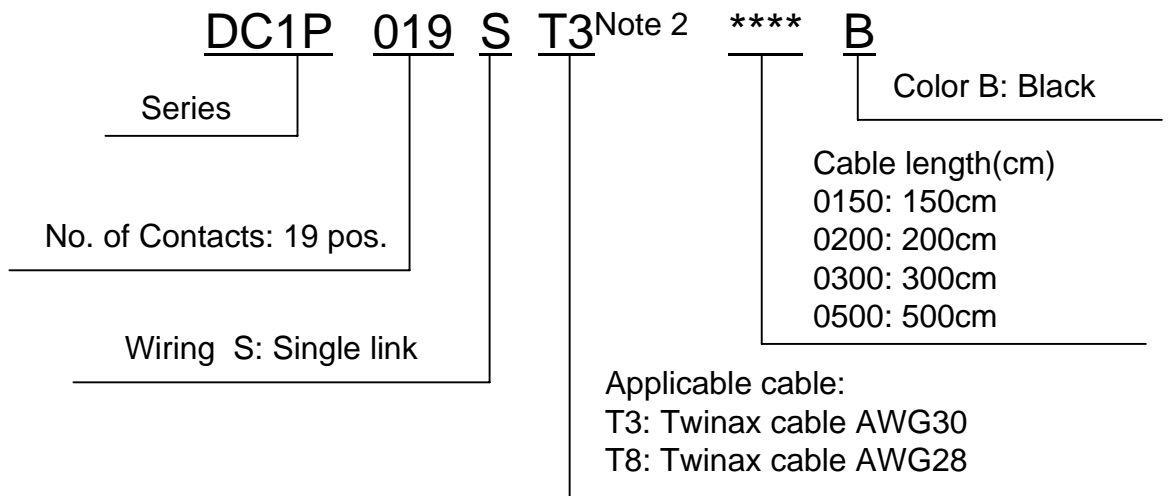
•Receptacle



Note 1

Please contact us concerning through-hole type. Embossed reel is compatible with DC1R019JB1 only.

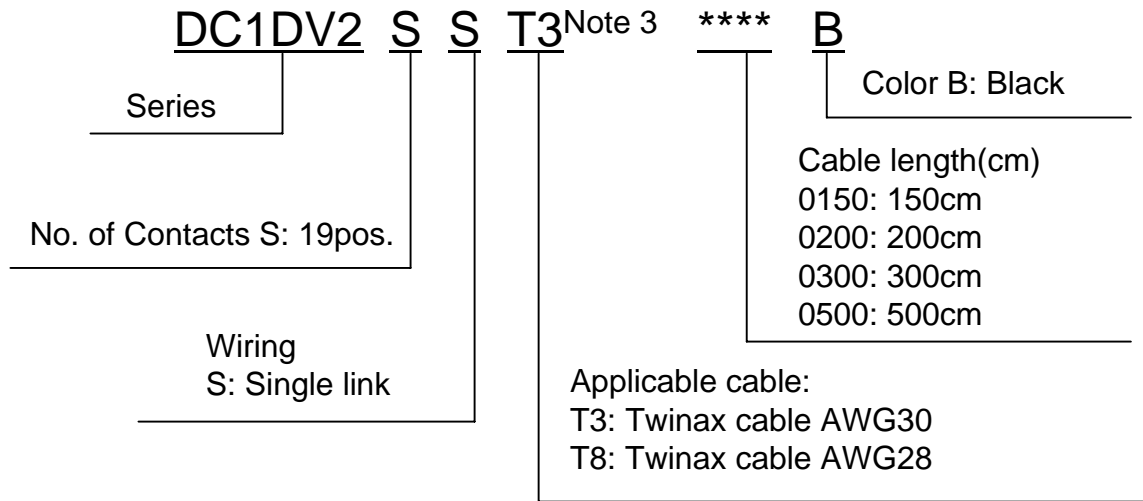
•HDMI-HDMI Cable harness



Note 2

Cable specification  
 T3 is 150cm, 200cm, 300cm.  
 T8 is 500cm.

•HDMI-DVI Cable harness



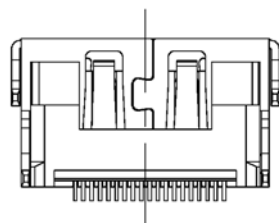
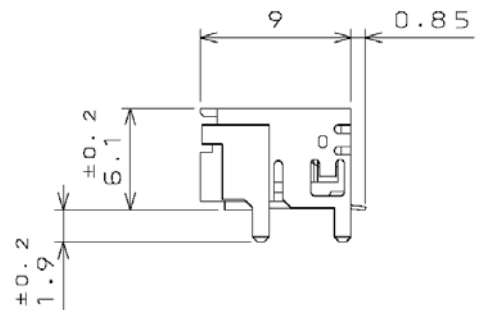
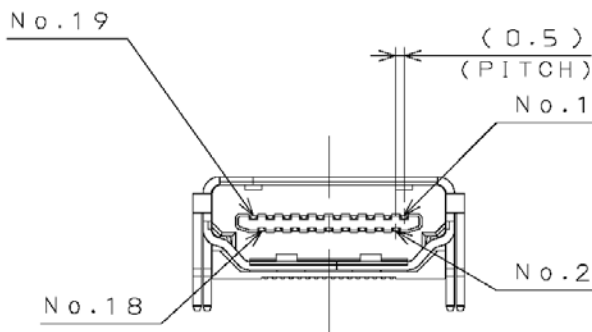
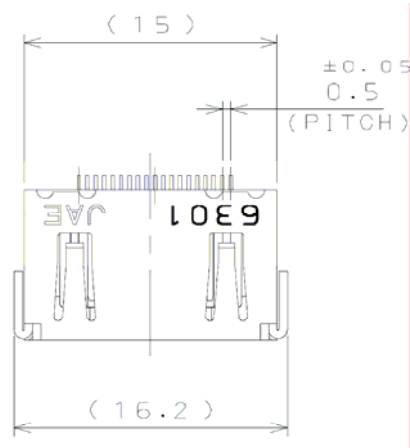
Note 3

Cable specification  
T3 is 150cm, 200cm, 300cm.  
T8 is 500cm.

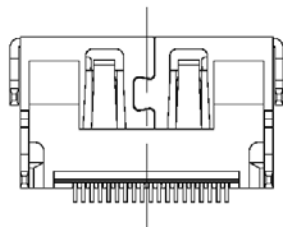
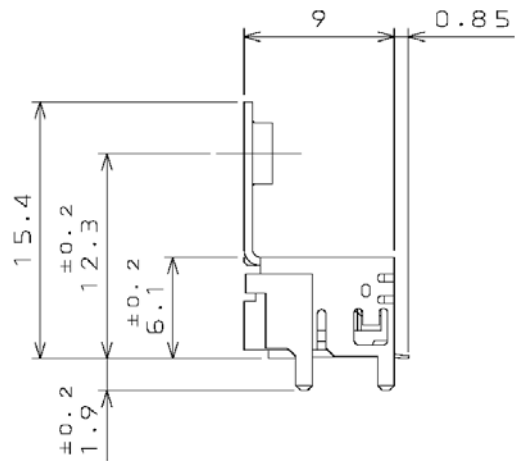
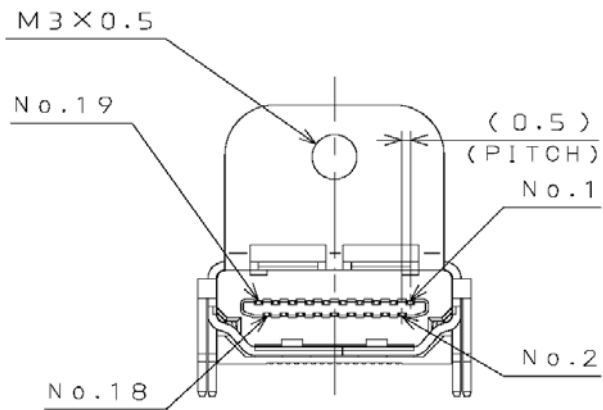
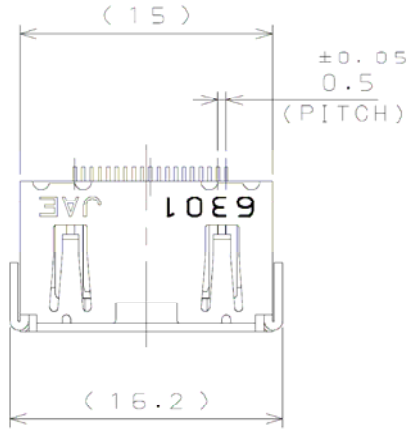
Dimensions and Shape

Angle Receptacle

- DC1R019JB1  
(SMT, without flange)

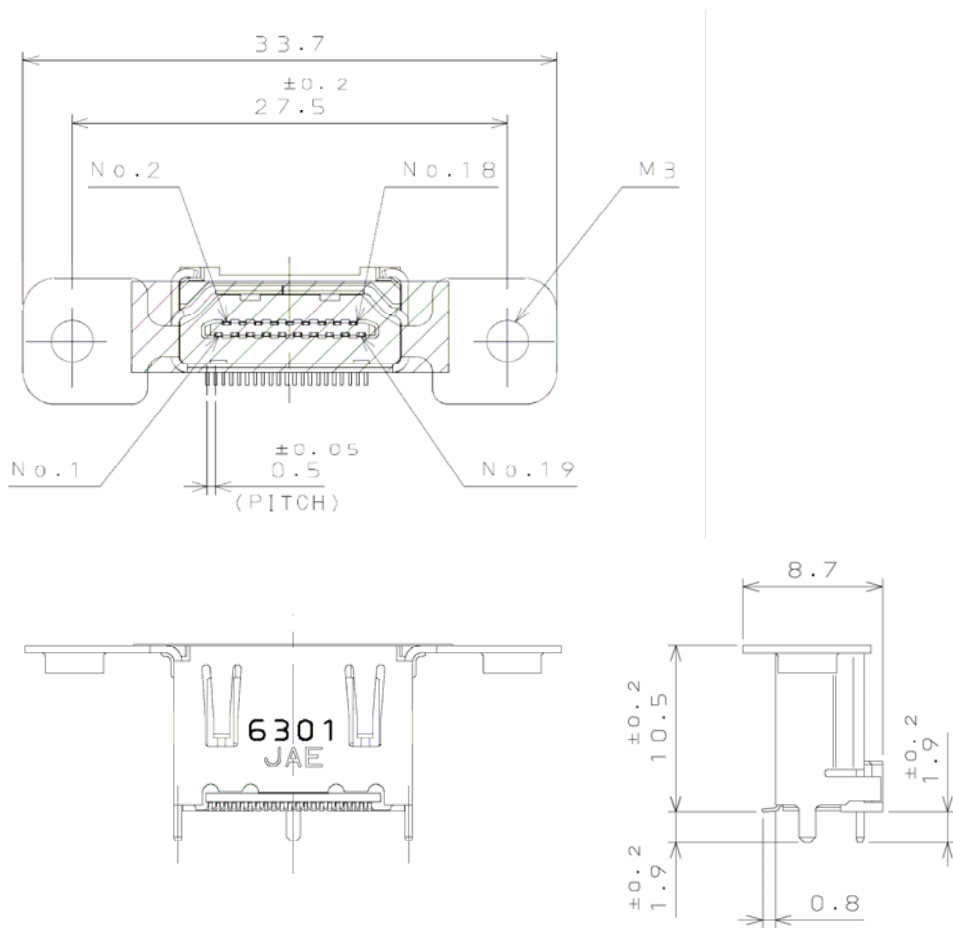


•DC1R019JBA  
(SMT angle , with flange)



Straight receptacle

•DC1R019WBA

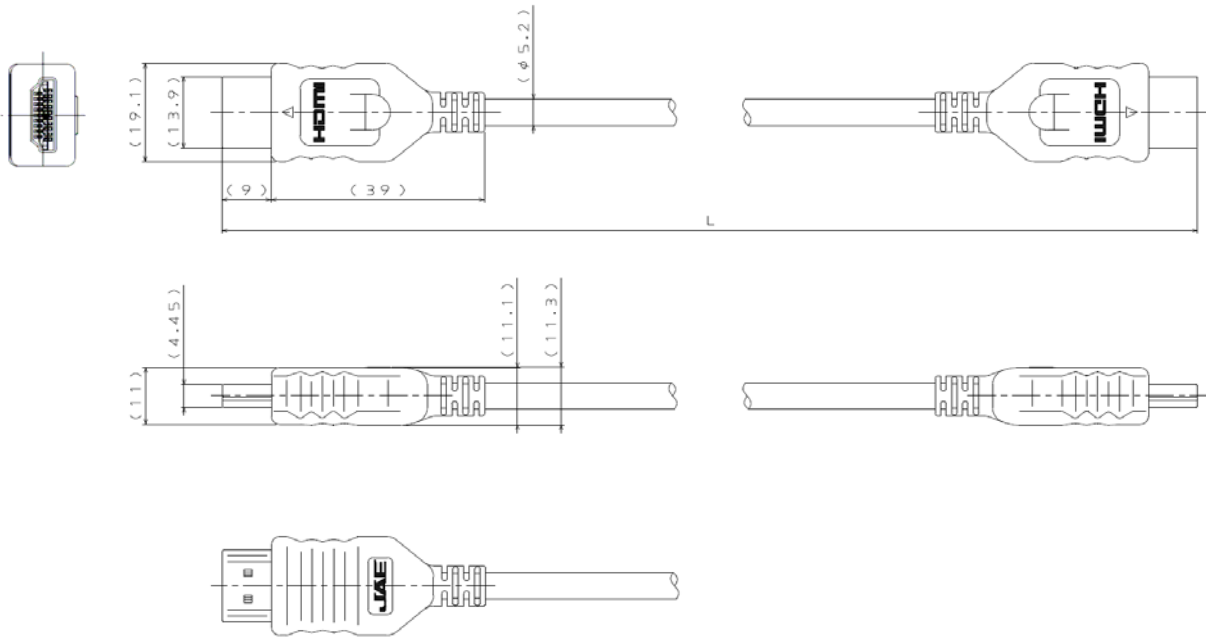


Applicable board dimension



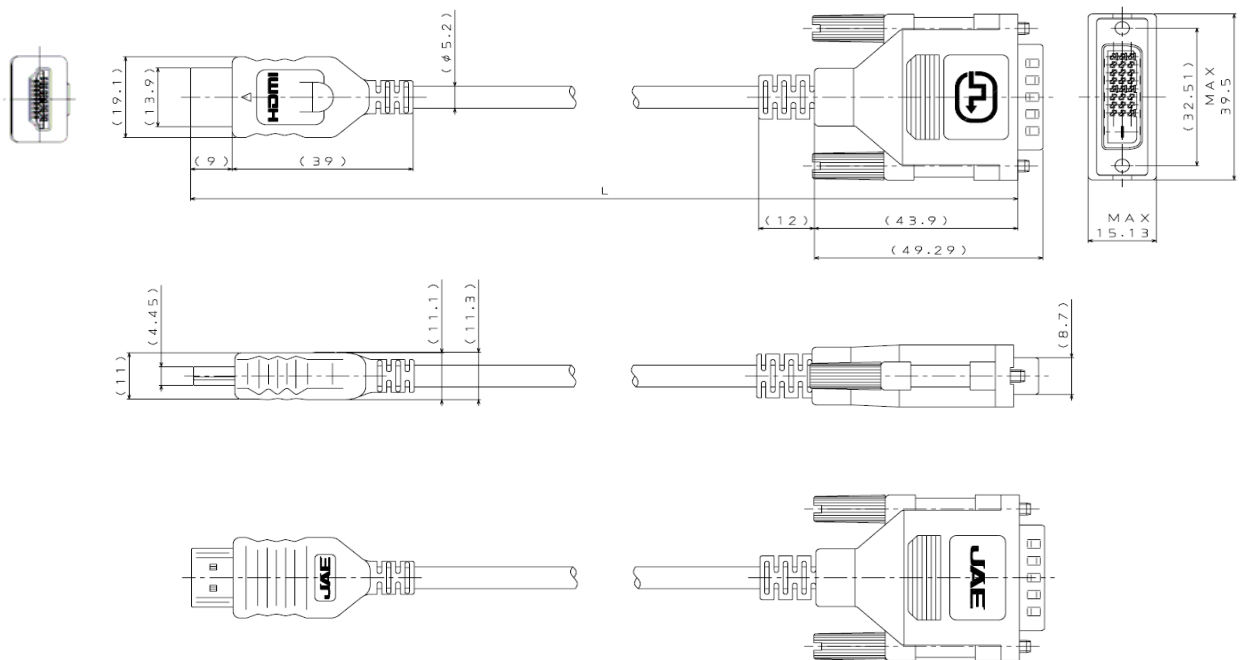
HDMI-HDMI Cable Harness

•DC1P019ST3\*\*\*\*B



HDMI-DV1 Cable Harness

•DC1DV2SST3\*\*\*\*B



Applicable board dimension



Drawing Number

■ **Receptacle**

Connection	Mounting	Flange	Part Number	SJ Drawing	Specification
Angle	SMT	Yes	DC1R019JB1	SJ104932	JACS-3289
		Yes	DC1R019JBA	SJ104936	
Straight	SMT	Yes	DC1R019WBA	SJ106085	

■ **Cable Harness**

	Harness	Part Number	SJ Drawing	Specification
Cable Harness	HDMI-HDMI	DC1P019ST3****B	SJ038524	JACS-3289
		DC1P019ST8****B	SJ100180	
	HDMI-DVI	DC1DV2SST3****B	SJ038860	JACS-4037
		DC1DV2SST8****B	SJ100181	

•DC1 Series Connector, Cable Handling Instruction-----JAHL-3289

**Japan Aviation Electronics Industry, Limited**

Product Marketing Division  
 Aobadai Building, 3-1-19, Aobadai, Meguro-ku, Tokyo 153-8539  
 Phone: +81-3-3780-2787 FAX: +81-3-3780-2946

**Notice:** Products shown in this leaflet are made for the applications listed below. However, if the above-mentioned products are to be used in aerospace devices, marine cable-connection devices, atomic power control systems, medical equipment for life-support systems, or any other specific application requiring extremely high reliability, please contact JAE for further information.  
 Recommended applications: computers, office machines, measuring devices, telecommunication devices (terminals, mobile devices), AV devices, household applications, FA devices, etc.