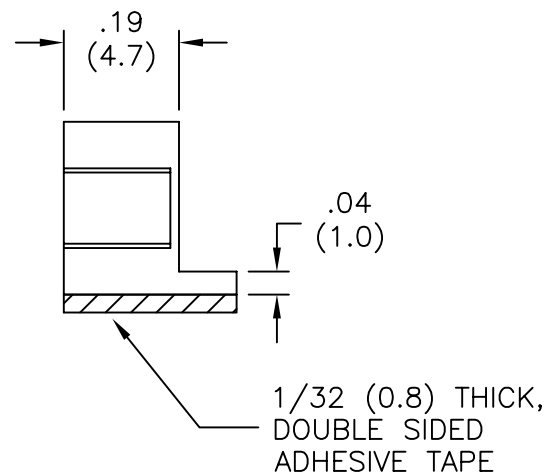
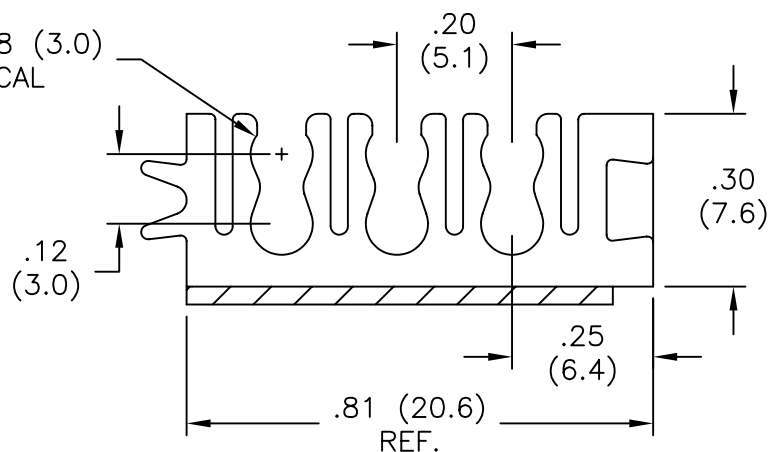


TYPICAL APPLICATION  
SCALE 1:1

TO GRIP .118 (3.0)  
DIA. TYPICAL



NOTES:

1. MAT'L: FLAME RETARDANT, NYLON 6/6 (RMS-19).
2. COLOR: NATURAL.
3. ACRYLIC ADHESIVE TAPE (RMS-15), WHITE LINER.

TITLE: OPTICAL FIBER EXPANDABLE BRACKET			DWG IN IN (MM) FINAL					
TOLERANCES UNLESS NOTED .XX=±.010 .XXX=±.005 FRAC=±1/64 ANG=±1°			FILE # OFEB-3	DWN: J.B.	APP:	PART #		PRINT TYPE
B ADDED NOTE 3. AND CHANGED FILE NO. SM 06.10.02			MAT'L: SEE NOTES	DT: 08-26-96	DT:	OFEB-3-19		CA
A HOLDING DIA. CHANGED FROM .125 (3.18) JB 05.19.97			RE: RICHCO, INC.	RICHCO INC. PO BOX 804238, CHICAGO, 60680 (773) 539-4060				
REV DESCRIPTION ENGR DATE								