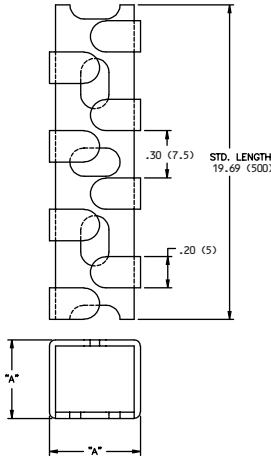
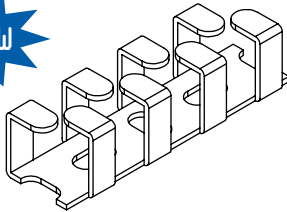
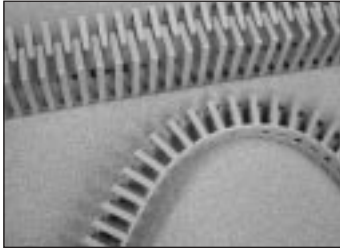


RX

Richflex Flexible Channel



Features

- Available with or without adhesive

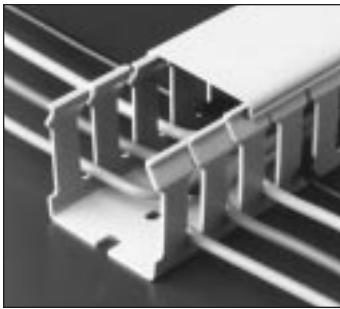
Material: Polypropylene • Color: Grey

Part No.	Ext. Dim. "A" x "A" in (mm)	Type	Int. Section in ² (mm ²)	Standard Packing (pcs)
RX1313-0	.492 x .492	VMHDY40	.171 (110)	112
RX1313-4	(12.5 x 12.5)	AMHD40		
RX1616-0	.630 x .630	VMHDY40	.287 (185)	84
RX1616-4	(16 x 16)	AMHD40		
RX2020-0	.787 x .787	VMHDY40	.496 (320)	112
RX2020-4	(20 x 20)	AMHD40		
RX2525-0	.984 x .984	VMHDY40	.775 (500)	70
RX2525-4	(25 x 25)	AMHD40		
RX3030-0	1.181 x 1.181	VMHDY40	1.116 (720)	50
RX3030-4	(30 x 30)	AMHD40		
RX4040-0	1.575 x 1.575	VMHDY40	2.046 (1320)	50
RX4040-4	(40 x 40)	AMHD40		
RX5050-0	1.969 x 1.969	VMHDY40	3.162 (2040)	32
RX5050-4	(50 x 50)	AMHD40		

Part Type Code: A - Adhesive Backing; D - UL94V2; H - Halogen Presence Insignificant (<70%); M - Polypropylene; V - Screw Mount; 40 - Gray RAL7040.

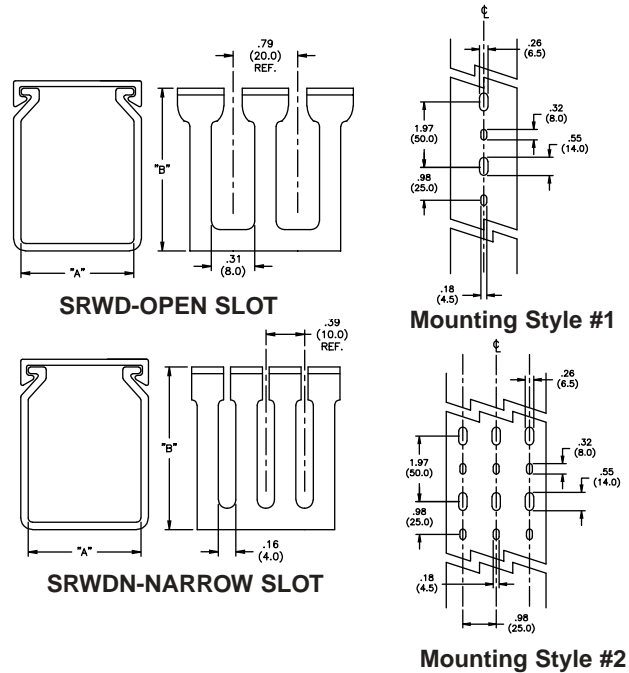
SRWD/SRWDN

Slotted Richco Wiring Duct



Features

- Holds breakout wires while providing flexibility for adding or removing wires later
- Simply deflect the plastic fingers to insert or remove wires
- Non-slip cover is easy to use and included with base
- Parts are 6-1/2' (1.98m) long
- Material is serviceable from -40°F – 140°F (-40°C – 60°C)
- Fingers are scored for easy break out



Material: PVC (UL #E161178) (CSA #LR40012-7)
Color: Gray

Part No.	"A"	"B"	Standard Pack	Mounting Style
SRWD-0820	.75 (19.1)	2.0 (50.8)	78' (1981.2)	1
SRWD-1015	1.0 (25.4)	1.5 (38.1)		
SRWD-1020		2.0 (50.8)		
SRWD-1030		3.0 (76.2)		
SRWD-1040	4.0 (101.6)	52' (1320.8)		
SRWD-1515	1.5 (38.1)	78' (1981.2)		
SRWD-1520	1.5 (38.1)	2.0 (50.8)	52' (1320.8)	
SRWD-1530		3.0 (76.2)		
SRWD-1540		4.0 (101.6)		
SRWD-2010	1.0 (25.4)	78' (1981.2)		
SRWD-2015	1.5 (38.1)	52' (1320.8)		
SRWD-2020	2.0 (50.8)			
SRWD-2030	3.0 (76.2)			
SRWD-2040	4.0 (101.6)	26' (660.4)		
SRWD-3015	1.5 (38.1)	52' (1320.8)	2	
SRWD-3020	3.0 (76.2)			2.0 (50.8)
SRWD-3030				3.0 (76.2)
SRWD-3040		4.0 (101.6)		
SRWD-4020	2.0 (50.8)	26' (660.4)		
SRWD-4030	3.0 (76.2)			
SRWD-4040	4.0 (101.6)			
SRWD-4050	5.0 (127.0)			

Parts also available in White, Black and Blue by special order. To order, add suffix W for White, BL for Blue, and B for Black

Material: PVC (UL #E161178) (CSA #LR40012-7)
Color: Gray

Part No.	"A"	"B"	Standard Pack	Mounting Style
SRWDN-0820	.75 (19.1)	2.0 (50.8)	78' (1981.2)	1
SRWDN-1015	1.0 (25.4)	1.5 (38.1)		
SRWDN-1020		2.0 (50.8)		
SRWDN-1030		3.0 (76.2)		
SRWDN-1515	1.5 (38.1)	78' (1981.2)		
SRWDN-1520	1.5 (38.1)	2.0 (50.8)	52' (1320.8)	
SRWDN-1530		3.0 (76.2)		
SRWDN-2015		1.5 (38.1)		
SRWDN-2020	2.0 (50.8)	2.0 (50.8)	52' (1320.8)	
SRWDN-2030		3.0 (76.2)		
SRWDN-3015		1.5 (38.1)		
SRWDN-3020	3.0 (76.2)	2.0 (50.8)	26' (660.4)	
SRWDN-3030		3.0 (76.2)		
SRWDN-4020		2.0 (50.8)		
SRWDN-4030	4.0 (101.6)	3.0 (76.2)		

Parts also available in White, Black and Blue by special order. To order, add suffix W for White, BL for Blue, and B for Black