

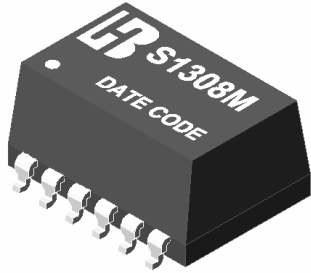


S1308M

T1/ CEPT/ISDN-PRI TRANSFORMER

P/N: S1308M DATA SHEET

Feature



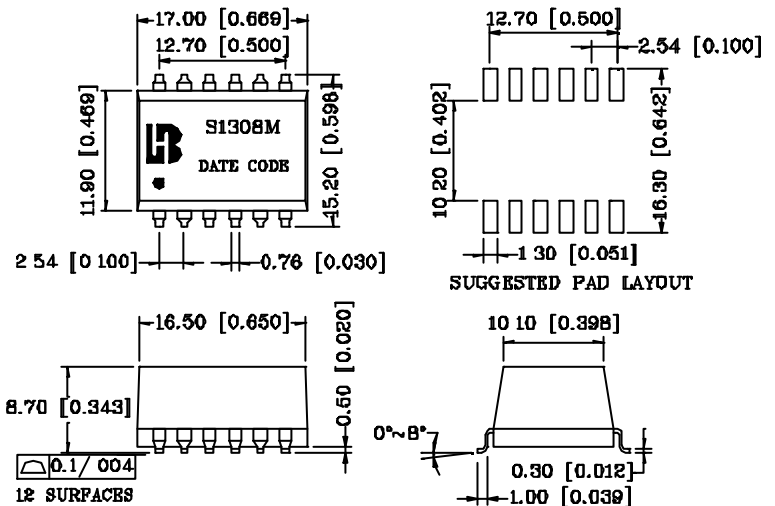
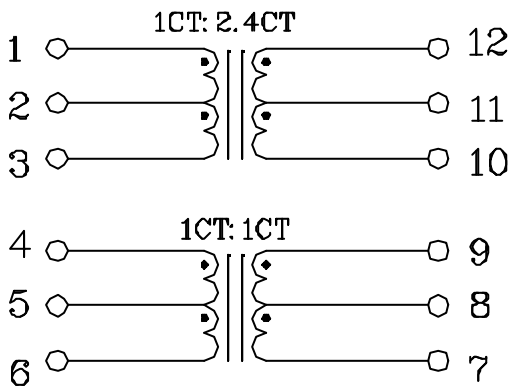
- Designed to meet UL requirements for reinforced insulation.
- Extended temperature range.
- Dual SMT package contains both transmit and receive transformers.
- At -40°C, OCL is 600uH minimum. All other parameters Are specified at +25°C.
- Operating temperature range: -40°C to +85°C.
- Storage temperature range: -40°C to +125°C.

Electrical Specifications @ 25°C

Part Number	Turns Ratio Pri: Sec (±2%)		OCL (mH Min)	C <sub>ww</sub> (pF Max)	L.L (uH Max)	Pri DCR ( Max)	Primary Pins	HI-POT (Vrms)
S1308M	1CT:2.4CT	1CT:1CT	1.2	40	1.0&1.2	1.0	(1-3)&(4-6)	1500

Schematic

Mechanical



Units: mm[Inches] Tolerances: xx.x0±0.25[0.010]  
0.xx±0.05[0.002]