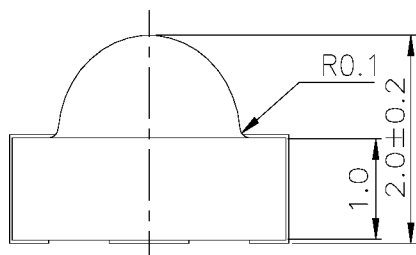
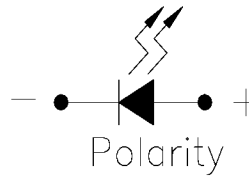
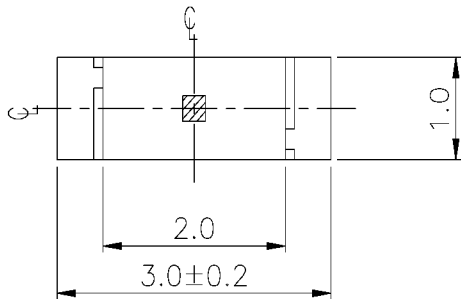
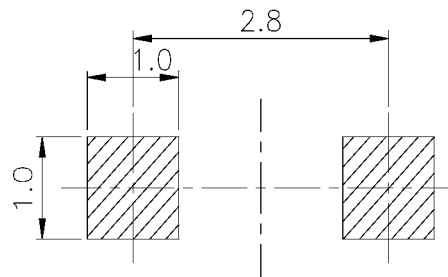
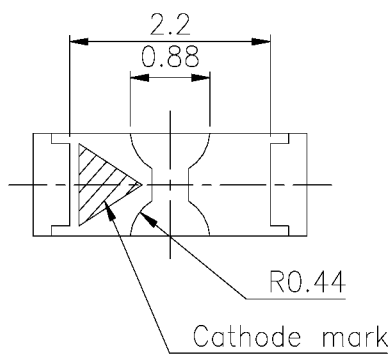


These lamps are miniature chip type designed for surface mounting.



For reflow soldering (propose)



PART NO.	Chip		Lens Color
	Material	Emitted Color	
IBHC0128	InGaN	Blue	Water Clear

\* Specifications subject to change without notice. Dimensions are in mm±0.1 unless stated otherwise.

**Absolute Maximum Ratings at  $T_a = 25\text{ }^\circ\text{C}$** 

Parameter	Symbol	Rating	Units
Forward Current	$I_F$	25	mA
Operating Temperature	$T_{opr}$	-40 to +85	$^\circ\text{C}$
Storage Temperature	$T_{stg}$	-40 to +90	$^\circ\text{C}$
Soldering Temperature	$T_{sol}$	260 (for 5 seconds)	$^\circ\text{C}$
Electrostatic Discharge	ESD	150	V
Power Dissipation	$P_d$	120	mW
Peak Forward Current (Duty 1/10 @ 1KHz)	$I_F$ (Peak)	100	mA
Reverse Voltage	$V_R$	5	V

**Electronic Optical Characteristics**

Parameter	Symbol	Min.	Typ.	Max.	Units	Condition
Luminous Intensity	$I_V$	28.5	45	72.0	mcd	$I_F = 20\text{ mA}$
Viewing Angle	$2\theta_{1/2}$	—	120	—	deg	$I_F = 20\text{ mA}$
Peak Wavelength	$\lambda_p$	—	468	—	nm	$I_F = 20\text{ mA}$
Dominant Wavelength	$\lambda_d$	—	470	—	nm	$I_F = 20\text{ mA}$
Spectrum Radiation Bandwidth	$\Delta\lambda$	—	35	—	nm	$I_F = 20\text{ mA}$
Forward Voltage	$V_F$	—	3.5	4.3	V	$I_F = 20\text{ mA}$
Reverse Current	$I_R$	—	—	50	$\mu\text{A}$	$V_R = 5\text{ V}$

\* Specifications subject to change without notice. Dimensions are in mm $\pm$ 0.1 unless stated otherwise.