

<b>Model No.</b>	<b>OSMW02C04GX- XXX3ZXXXP-A</b>
<b>REV.</b>	<b>C2</b>

## PRODUCT SPECIFICATION FOR **LED Light Strip**

### Descriptions:

- Low Power Consumption, High Intensity
- Long life, Easy Installation
- Voltages Available 12VDC/AC
- LED Model Number: OSXXX3ZXXXP

### Features:

- Available in Red , Orange , Yellow , Green , Blue , White
- Directly use on DC/AC
- Low Power Consumption , High intensity, Long life
- Excellent beam control, Energy saving
- Part number or the connection pin is JCG4,two type to choose from the below: OSMW02C04GS is perpendicular and OSPM-OSMW02C04GX is crooked

### Application:

- Channel letter signs
- Indirect accent décor light
- Large area back lighting
- Under counter light
- Decorate building 's contour
- Substitute neon light

### Product Picture:





Model No.	OSMW02C04GX- XXX3ZXXXP-A
REV.	C2

## Device Selection Guide

Module No.	Color	Dom. Wavelength (Typ.)	Luminous Flux (Typ.)
R5M3Z2C1P-X	Red	625±5nm	13.6lm
Y5M3Z2C1P-X	Yellow	590±5nm	11.6lm
G5D3Z2C1P-X	Green	527±5nm	18.4lm
B5S3Z2C1P-X	Blue	472±5nm	8.8lm
O5M3Z2C1P-X	Orange	605±5nm	12.5lm
M5S3Z2C1P-X	Warm White	X=0.45 ; Y=0.41	21.6lm
W5S3Z2C1P-X	White	X=0.27 ; Y=0.28	32.5lm

## Absolute Maximum Ratings(Ta=25 )

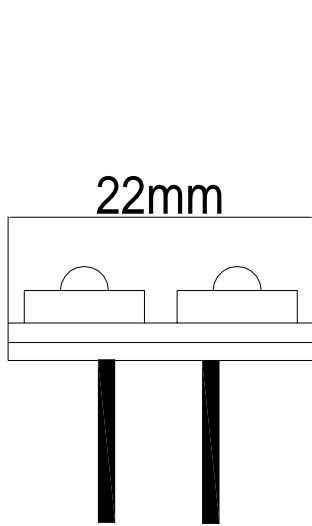
Items	Symbol	Values	Units
Operating supply range(DC/AC)	V <sub>idc</sub>	14	V
Input Current (DC/AC)	I <sub>i</sub>	120	MA
Power Dissipation	P <sub>a</sub>	1.68	W
LED Light Source Temperature	T <sub>led</sub>	105	DegC
Operating Temperature	T <sub>ope</sub>	-10 ~ +40	DegC
Storage Temperature	T <sub>sto</sub>	-20 ~ +80	DegC

## Typical Performance (Ta=25 )

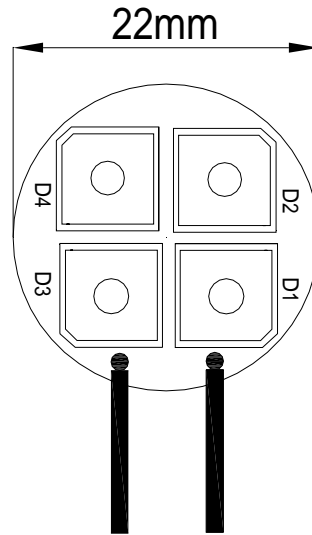
Items	Symbol	Min.	Typ.	Max.	Units
LED Module Power	P <sub>m</sub>	---	0.96	1.68	w
Input Voltage(DC/AC)	V <sub>i</sub>		12	14	V
Product input Current	I <sub>f</sub>		80	120	mA
Beam Pattern	BP	---	120	---	Deg
Total diameter of PCB	D <sub>PCB</sub>	---	22	---	mm
Net Weight	Wei.	---	3.5	---	g

<b>Model No.</b>	<b>OSMW02C04GX- XXX3ZXXXP-A</b>
<b>REV.</b>	<b>C2</b>

**Product Dimensions:**



**OSMW02C04GS**



**OSMW02C04GC**

