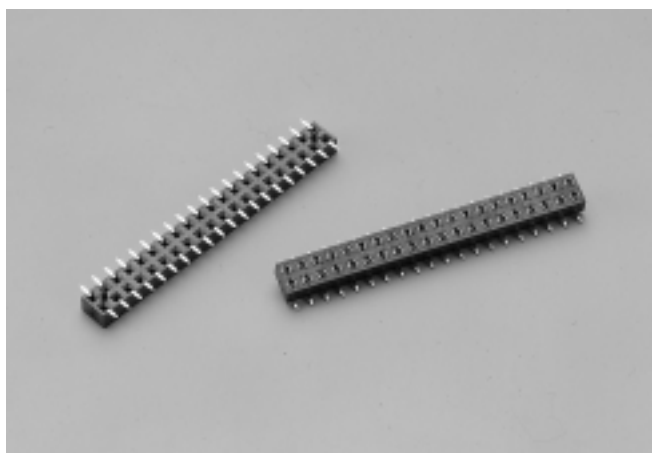


TOP ENTRY TYPE (2.25mm PLASTIC HEIGHT)



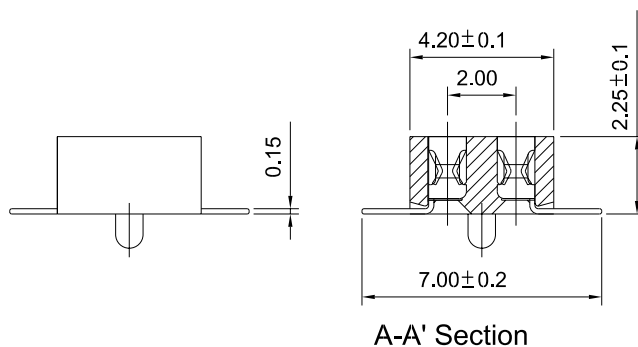
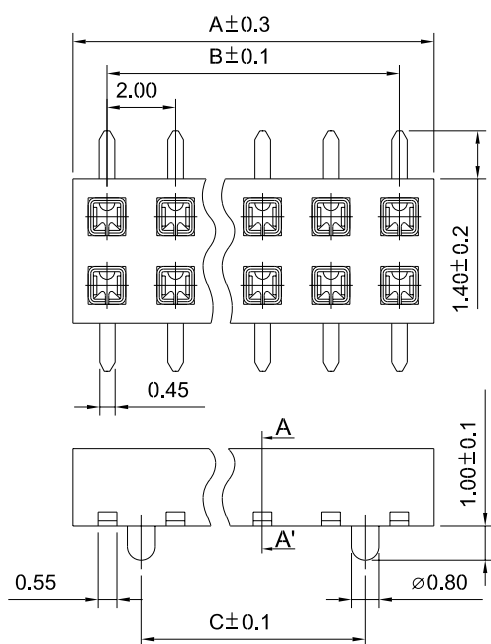
200188FA Series

Mates With SUYIN 200109, 200112, 200114, 200121, 2008□□, 200194 Series

Specifications:

- 8-60Circuits
- Insulator material : Black High Temp . Plastic
- Operating Temp.Range : 230°C for 30 Seconds
- Terminal Material : Phosphor Bronze
- Plating : Full Gold Plated
- Max. Current Rating : 1.5A
- Voltage Rating : 150V AC
- Dielectric Strength : 500V (Min. 60 seconds)

2.0
mm



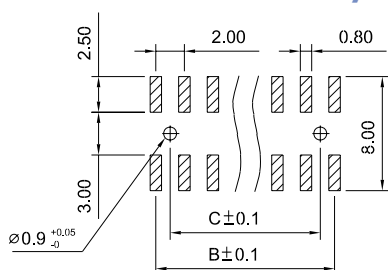
Order Information

200188FA□□□□00ZU
1 2 3 4 5

1. 'A' : Straight SMT Type
 2. No. of Pins
 3. Plating
 4. Color 'Z' : Black
 5. Package
- 'U' : Tube Package Without CAP

Reference Page 11

Recommended P.C.B Layout



Dimensional Information

SUYIN P/NO.	DIM.A	DIM.B	DIM.C
200188FA008□□00ZU	8.0	6.0	4.0
200188FA010□□00ZU	10.0	8.0	6.0
200188FA012□□00ZU	12.0	10.0	8.0
200188FA014□□00ZU	14.0	12.0	10.0
200188FA016□□00ZU	16.0	14.0	12.0
200188FA018□□00ZU	18.0	16.0	14.0
200188FA020□□00ZU	20.0	18.0	16.0
200188FA022□□00ZU	22.0	20.0	18.0
200188FA024□□00ZU	24.0	22.0	20.0
200188FA030□□00ZU	30.0	28.0	26.0
200188FA040□□00ZU	40.0	38.0	36.0
200188FA044□□00ZU	44.0	42.0	40.0
200188FA050□□00ZU	50.0	48.0	46.0
200188FA060□□00ZU	60.0	58.0	56.0