



# 1000 BASE –T QUAD PORT MAGNETICS MODULES

## P/N: G4P109-D DATA SHEET

### Feature



- Designed for Ethernet 1000 BASE-T, full Quad port applications.
- Supports 16 pairs of category 5 UTP cable.
- Cable interface for isolation and low common mode emissions.
- Compliant with IEEE 802.3ab standard for 1000 BASE-T.
- Operating temperature range: 0°C to +70°C.
- Storage temperature range: -25°C to +105°C.

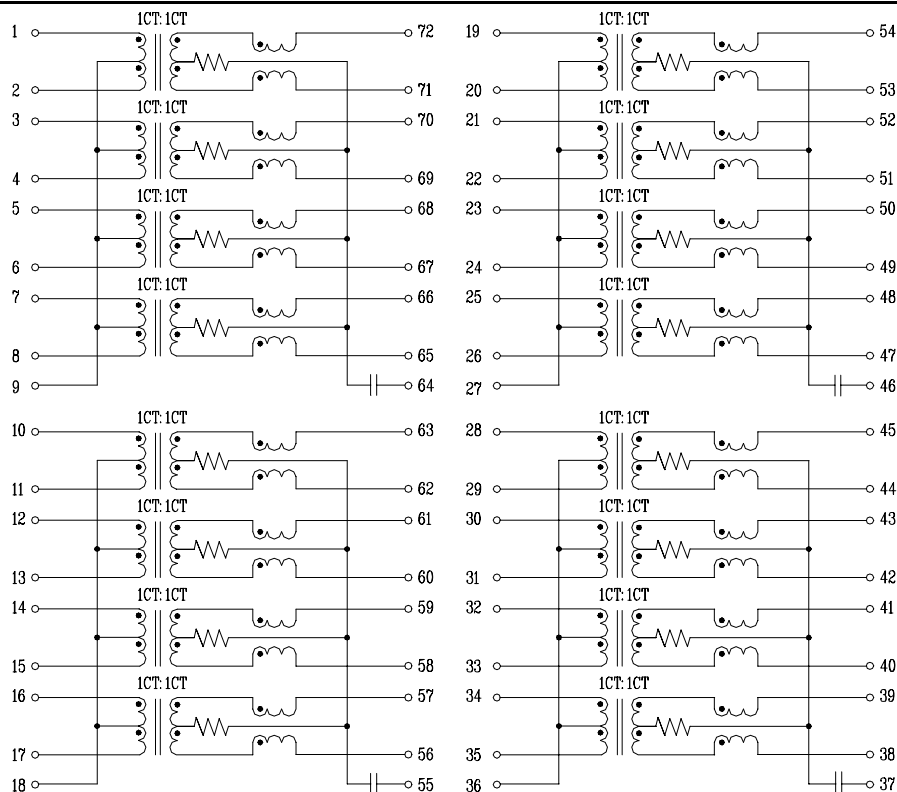
### Electrical Specifications @ 25°C

Part Number	Turns Ratio (±5%)		Cross talk Attenuation (dB Min)			HI-POT (V <sub>DC</sub> /60S)
	TX	RX	30MHz	60MHz	100MHz	
G4P109-D	1CT:1CT	1CT:1CT	-40	-35	-30	2250

### Continue

Part Number	Insertion Loss (dB Max)	Return Loss (dB Min)@ Load 100Ω					DCMR (dB Min)		
		1-100MHz	1-30MHz	40MHz	50MHz	60-80MHz	100MHz	30MHz	60MHz
G4P109-D	-1.0	-18	-14.4	-13.1	-12	-10	-40	-35	-30

### Schematic

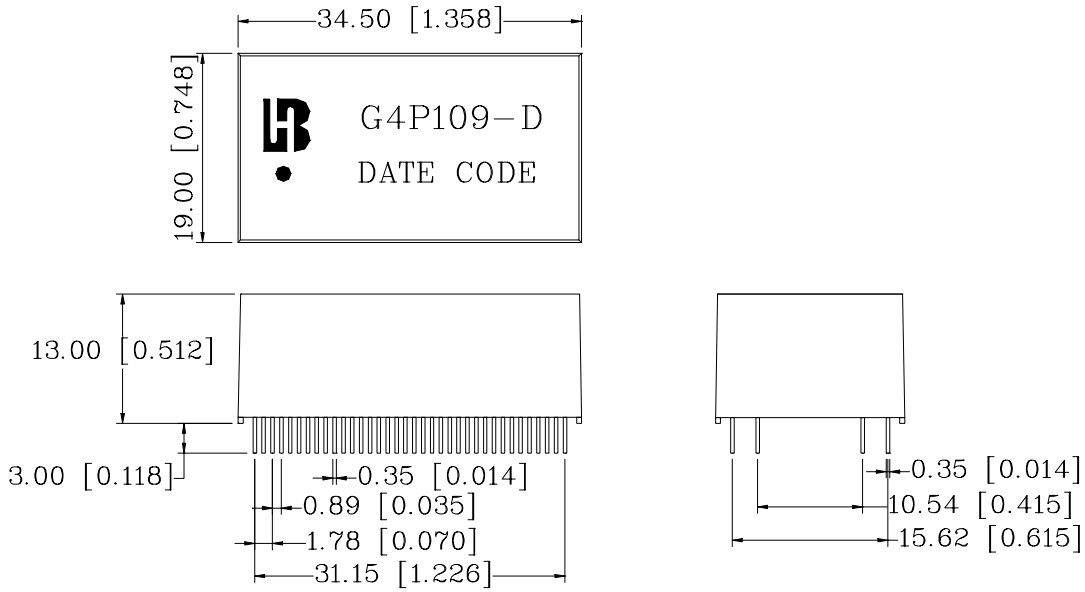




# 1000 BASE -T QUAD PORT MAGNETICS MODULES

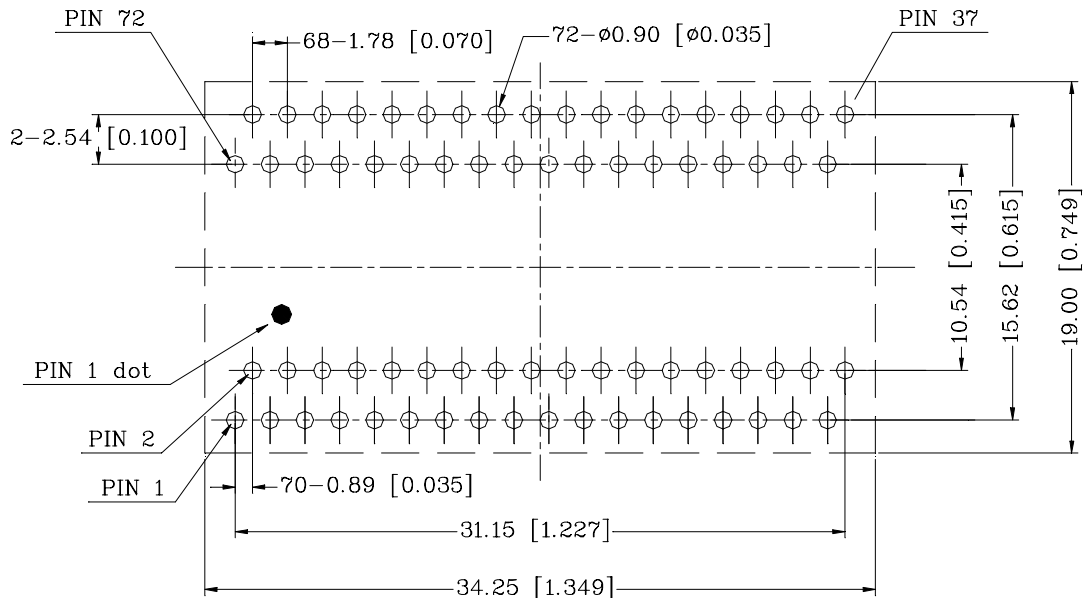
## P/N: G4P109-D DATA SHEET

### Mechanical



Units: mm[Inches] Tolerance: xx.x0±0.25[0.010]  
 0.xx±0.05[0.002]

### PCB Layout mounting Hole ( Top View)



Units: mm[Inches] Tolerances: xx.x0±0.25[0.010]  
 0.xx±0.05[0.002]