

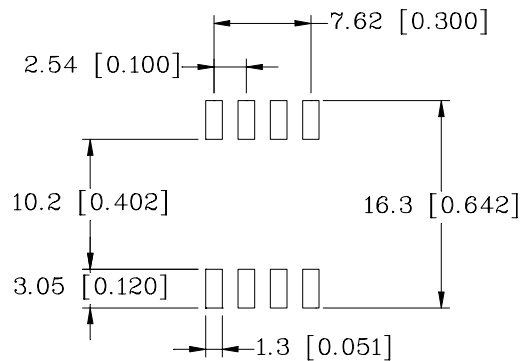
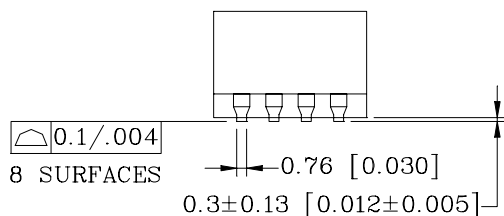
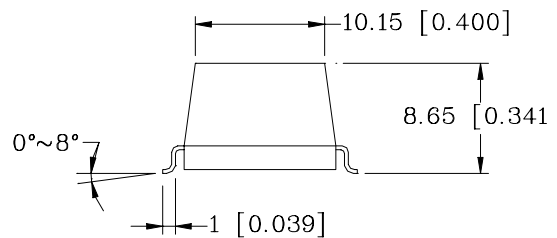
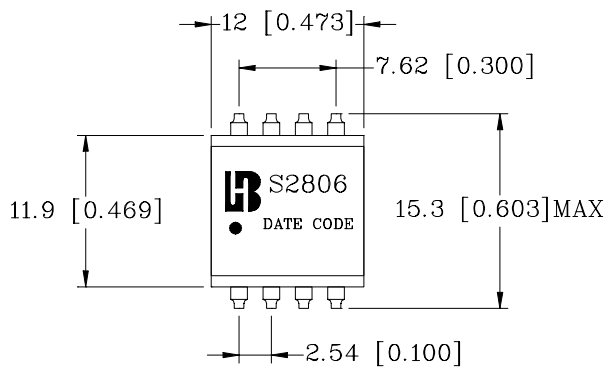
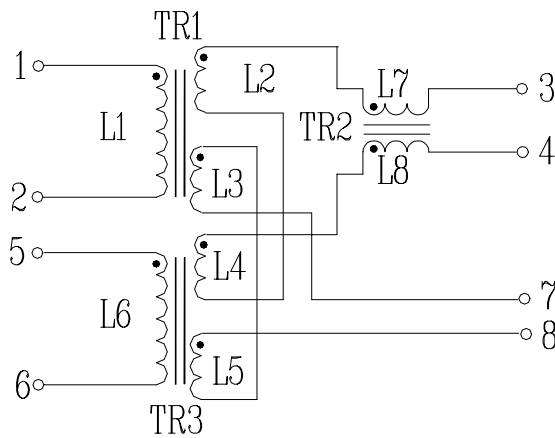
# HYERID XFMR

## P/N:S2806 DATA SHEET

### A. Electrical Specifications@ 25°C :

- 1.OCL : 280  $\mu\text{H}\pm 30\%$  @ 100KHz/50mVrms PIN 1-2 , 5-6
- 2.DCR : 0.16  $\Omega$  Max PIN 1-2 , 5-6
- 3.DCR : 0.640  $\Omega$  Max PIN 3-4
- 4.DCR : 0.320  $\Omega$  Max PIN 7-8
- 5.Isolation voltage : 500 Vrms

### B. Schematic & Mechanical:



Dimensions: mm[Inches] Tolerances:  $\pm 0.25$ [0.01]

PCB Suggest pad layout