

# SPECIFICATION FOR APPROVAL

REF : 20080714-A

PAGE: 1

|               |                 |                                 |                  |
|---------------|-----------------|---------------------------------|------------------|
| PROD.<br>NAME | RADIAL INDUCTOR | ABC'S DWG NO.<br>ABC'S ITEM NO. | RB1014□□□□L□-□□□ |
|---------------|-----------------|---------------------------------|------------------|

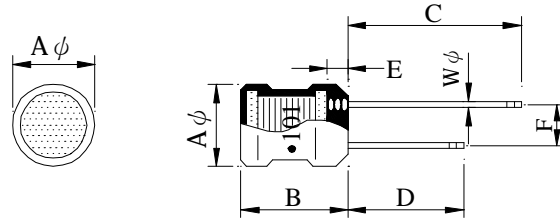
## I . CONFIGURATION & DIMENSIONS :

Marking :

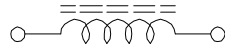
" ● " : Start

● 101----100 uH ( Inductance Code )

|    |            |  |     |
|----|------------|--|-----|
| A  | : 8.7±0.5  |  | m/m |
| B  | : 12.0±1.0 |  | m/m |
| C  | : 25.0±5   |  | m/m |
| D  | : 18.0±5   |  | m/m |
| E  | : 2.5 max. |  | m/m |
| F  | : 5.0±0.8  |  | m/m |
| Wφ | : 0.65     |  | m/m |

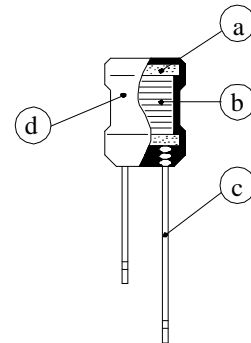


## II . SCHEMATIC DIAGRAM :



## III . MATERIALS :

- a . Core : Ferrite DR core
- b . Wire : Enamelled copper wire (Class F)
- c . Lead : Sn/Ag/Cu
- d . Tube : Shrinkable tube 125°C , 600V
- e . Remark : Products comply with RoHS' requirements



## IV . GENERAL SPECIFICATION :

- a . Temp. rise : 20°C max. at rated current.
- b . Storage temp. : -40°C ---- +105°C
- c . Operating temp. : -25°C ---- +85°C

AR-001A

# SPECIFICATION FOR APPROVAL

REF : 20080714-A

PAGE: 2

|            |                 |                |                  |
|------------|-----------------|----------------|------------------|
| PROD. NAME | RADIAL INDUCTOR | ABC'S DWG NO.  | RB1014□□□□L□-□□□ |
|            |                 | ABC'S ITEM NO. |                  |

**V . ELECTRICAL CHARACTERISTICS :**

| DWG No.          | Inductance<br>( $\mu$ H) | Q<br>min. | Test Freq. ( KHz ) |   | SRF<br>( MHz )<br>min. | RDC<br>( $\Omega$ )<br>max. | IDC<br>( mA )<br>max. |
|------------------|--------------------------|-----------|--------------------|---|------------------------|-----------------------------|-----------------------|
|                  |                          |           | L                  | Q |                        |                             |                       |
| RB1014101KL□-□□□ | 100 $\pm$ 10%            | 45        | 796.0              |   | 3.20                   | 0.85                        | 350                   |
| RB1014121KL□-□□□ | 120 $\pm$ 10%            | 45        | 796.0              |   | 3.00                   | 0.95                        | 330                   |
| RB1014151KL□-□□□ | 150 $\pm$ 10%            | 45        | 796.0              |   | 2.80                   | 1.05                        | 310                   |
| RB1014181KL□-□□□ | 180 $\pm$ 10%            | 45        | 796.0              |   | 2.50                   | 1.15                        | 300                   |
| RB1014221KL□-□□□ | 220 $\pm$ 10%            | 40        | 796.0              |   | 2.10                   | 1.30                        | 280                   |
| RB1014271KL□-□□□ | 270 $\pm$ 10%            | 40        | 796.0              |   | 2.00                   | 1.50                        | 260                   |
| RB1014331KL□-□□□ | 330 $\pm$ 10%            | 40        | 796.0              |   | 1.95                   | 1.70                        | 240                   |
| RB1014391KL□-□□□ | 390 $\pm$ 10%            | 40        | 796.0              |   | 1.85                   | 1.85                        | 230                   |
| RB1014471KL□-□□□ | 470 $\pm$ 10%            | 35        | 796.0              |   | 1.55                   | 2.30                        | 210                   |
| RB1014561KL□-□□□ | 560 $\pm$ 10%            | 35        | 796.0              |   | 1.30                   | 2.55                        | 200                   |
| RB1014681KL□-□□□ | 680 $\pm$ 10%            | 35        | 796.0              |   | 1.15                   | 2.85                        | 190                   |
| RB1014821KL□-□□□ | 820 $\pm$ 10%            | 35        | 796.0              |   | 1.00                   | 3.10                        | 180                   |
| RB1014102KL□-□□□ | 1000 $\pm$ 10%           | 50        | 252.0              |   | 0.90                   | 4.10                        | 160                   |
| RB1014122KL□-□□□ | 1200 $\pm$ 10%           | 50        | 252.0              |   | 0.80                   | 4.70                        | 150                   |
| RB1014152KL□-□□□ | 1500 $\pm$ 10%           | 50        | 252.0              |   | 0.70                   | 5.80                        | 130                   |
| RB1014182KL□-□□□ | 1800 $\pm$ 10%           | 50        | 252.0              |   | 0.60                   | 7.40                        | 115                   |
| RB1014222KL□-□□□ | 2200 $\pm$ 10%           | 50        | 252.0              |   | 0.55                   | 8.40                        | 110                   |
| RB1014272KL□-□□□ | 2700 $\pm$ 10%           | 50        | 252.0              |   | 0.50                   | 9.60                        | 95                    |
| RB1014332KL□-□□□ | 3300 $\pm$ 10%           | 50        | 252.0              |   | 0.45                   | 10.50                       | 80                    |
| RB1014392KL□-□□□ | 3900 $\pm$ 10%           | 50        | 252.0              |   | 0.40                   | 12.00                       | 70                    |
| RB1014472KL□-□□□ | 4700 $\pm$ 10%           | 45        | 252.0              |   | 0.38                   | 14.00                       | 65                    |
| RB1014562KL□-□□□ | 5600 $\pm$ 10%           | 45        | 252.0              |   | 0.36                   | 16.00                       | 60                    |
| RB1014682KL□-□□□ | 6800 $\pm$ 10%           | 40        | 252.0              |   | 0.34                   | 18.00                       | 55                    |
| RB1014822KL□-□□□ | 8200 $\pm$ 10%           | 40        | 252.0              |   | 0.32                   | 24.50                       | 50                    |
| RB1014103KL□-□□□ | 10000 $\pm$ 10%          | 50        | 79.6               |   | 0.30                   | 32.00                       | 45                    |
| RB1014123KL□-□□□ | 12000 $\pm$ 10%          | 50        | 79.6               |   | 0.28                   | 36.00                       | 40                    |
| RB1014153KL□-□□□ | 15000 $\pm$ 10%          | 50        | 79.6               |   | 0.26                   | 48.00                       | 35                    |
| RB1014183KL□-□□□ | 18000 $\pm$ 10%          | 45        | 79.6               |   | 0.24                   | 52.00                       | 30                    |
| RB1014223KL□-□□□ | 22000 $\pm$ 10%          | 45        | 79.6               |   | 0.22                   | 58.00                       | 28                    |
| RB1014273KL□-□□□ | 27000 $\pm$ 10%          | 45        | 79.6               |   | 0.20                   | 62.00                       | 26                    |
| RB1014333KL□-□□□ | 33000 $\pm$ 10%          | 45        | 79.6               |   | 0.18                   | 90.00                       | 24                    |
| RB1014393KL□-□□□ | 39000 $\pm$ 10%          | 40        | 79.6               |   | 0.17                   | 100.00                      | 22                    |
| RB1014473KL□-□□□ | 47000 $\pm$ 10%          | 35        | 79.6               |   | 0.16                   | 150.00                      | 20                    |
| RB1014563KL□-□□□ | 56000 $\pm$ 10%          | 35        | 79.6               |   | 0.15                   | 200.00                      | 18                    |
| RB1014683KL□-□□□ | 68000 $\pm$ 10%          | 35        | 79.6               |   | 0.14                   | 220.00                      | 16                    |
| RB1014823KL□-□□□ | 82000 $\pm$ 10%          | 30        | 79.6               |   | 0.12                   | 240.00                      | 14                    |

1). □ : Packing information... [A]: Bulk

2). "- □□□ " : Reference code

AR-001A



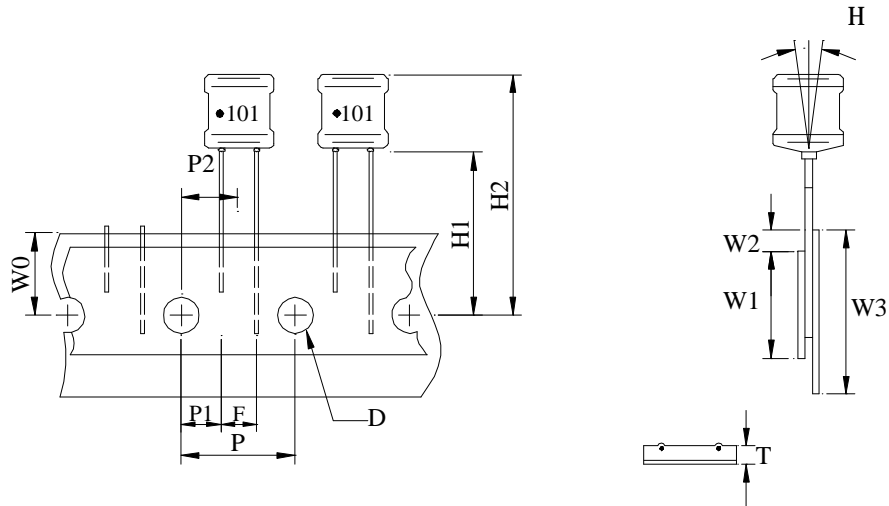
# SPECIFICATION FOR APPROVAL

REF : 20080714-A

PAGE: 3

|            |                 |                |                  |
|------------|-----------------|----------------|------------------|
| PROD. NAME | RADIAL INDUCTOR | ABC'S DWG NO.  | RB1014□□□□L□-□□□ |
|            |                 | ABC'S ITEM NO. |                  |

VI . TAPED PACKAGE DIMENSIONS :



※ 500 Pcs / Reel

| Item                                  | Symbol | Specification |           |       |           |
|---------------------------------------|--------|---------------|-----------|-------|-----------|
|                                       |        | Milimeter     |           | Inch  |           |
|                                       |        | Size          | Tolerance | Size  | Tolerance |
| Tape feed hole diameter               | D      | 4.00          | ±0.20     | 0.157 | ±0.008    |
| Component lead pitch                  | F      | 5.00          | ±0.50     | 0.200 | ±0.020    |
| Front-to-rear deflection              | H      | 2.00          | MAX.      | 0.079 | MAX.      |
| Feed hole to bottom of component      | H1     | 18.50         | ±0.80     | 0.728 | ±0.040    |
| Feed hole to overall component height | H2     | 32.50         | MAX.      | 1.280 | MAX.      |
| Feed hole pitch                       | P      | 12.70         | ±0.30     | 0.500 | ±0.012    |
| Lead location                         | P1     | 3.85          | ±0.70     | 0.152 | ±0.028    |
| Center of component location          | P2     | 6.35          | ±1.30     | 0.250 | ±0.051    |
| Overall taped package thickness       | T      | 1.42          | MAX.      | 0.056 | MAX.      |
| Feed hole location                    | W0     | 9.00          | ±0.50     | 0.354 | ±0.020    |
| Adhesive tape width                   | W1     | 15.00         | ±0.50     | 0.598 | ±0.020    |
| Adhesive tape position                | W2     | 4.00          | MAX.      | 0.157 | MAX.      |
| Tape width                            | W3     | 18.00         | ±0.50     | 0.709 | ±0.020    |

AR-001A

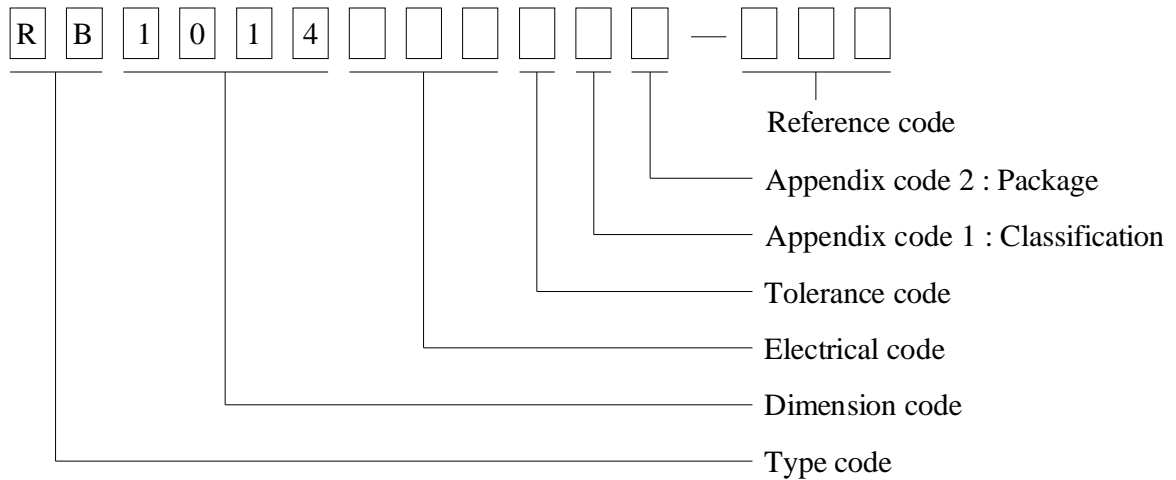
# SPECIFICATION FOR APPROVAL

REF : 20080714-A

PAGE: 4

|            |                 |                |                  |
|------------|-----------------|----------------|------------------|
| PROD. NAME | RADIAL INDUCTOR | ABC'S DWG NO.  | RB1014□□□□L□-□□□ |
|            |                 | ABC'S ITEM NO. |                  |

**VII . DWGING NUMBER EXPRESSION :**



**Appendix code 1 : Product Classification**

- L : Lead Free Standard products comply with RoHS' requirements
- 1 ~ 9 : Lead Free Special products comply with RoHS' requirements

**Appendix code 2 : Package Information**

| CODE | Inner package          | Inner package QTY | Remark |
|------|------------------------|-------------------|--------|
| A    | Box                    | 150 pcs           |        |
| B    | Box                    | 200 pcs           |        |
| C    | Bag                    | 100 pcs           |        |
| D    | Tray                   | 120 pcs           |        |
| E    | Tray                   | 160 pcs           |        |
| F    | T / R ( Reel Package ) | 500 pcs           |        |

AR-001A



