

Model No.	OSMW05C12GP- XXXXS4C1A-A
REV.	C2

PRODUCT SPECIFICATION FOR **LED Light Strip**

Descriptions:

- LED strip on flexible printed circuit board
- Long life, Easy Installation
- Voltages Available 12VDC
- Model Number: OSXXXXS4C1A, 5050 PLCC6

Features:

- Available in Red, Orange, Yellow, Green, Blue, White
- Directly use on line voltage
- Low Power Consumption, High intensity
- Energy saving
- Excellent beam control
- Long life

Application:

- Channel letter signs
- Indirect accent decor light
- Large area back lighting
- Under counter light
- Decorate building's contour
- Substitute neon light

Product Picture:





Model No.	OSMW05C12GP-XXXXS4C1A-A
REV.	C2

Device Selection Guide

Module No.	Color	Dom. Wavelength (Typ.)	Intensity / Per LED (Typ.)
R5PTS4C1A -A	Red	625±5nm	1900 mcd
O5GTS4C1A -A	Orange	605±5nm	1900 mcd
Y5PTS4C1A -A	Yellow	590±5nm	1900 mcd
G5DTS4C1A -A	Green	525±5nm	3000 mcd
B5STS4C1A -A	Blue	470±5nm	1560 mcd
W5DTS4C1A -A	White	X=0.27 ; Y=0.28	7000 mcd
M5DTS4C1A -A	Warm White	X=0.45 ; Y=0.41	5000 mcd
K5DTS4C1A -A	Pink	X=0.45 ; Y=0.17	1900 mcd

Absolute Maximum Ratings(Ta=25)

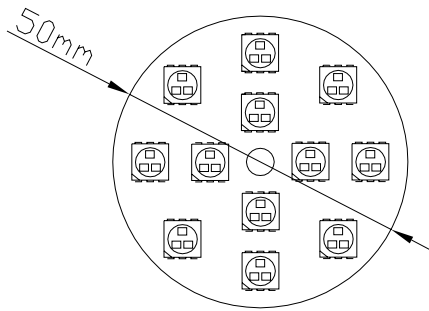
Items	Symbol	Values	Units
Operating supply range(DC)	V _{idc}	14	V
Input Current (DC)	I _i	360	mA
Power Dissipation	P _a	5.04	W
LED Light Source Temperature	T _{led}	105	DegC
Operating Temperature	T _{ope}	-10 ~ +40	DegC
Storage Temperature	T _{sto}	-20 ~ +80	DegC

Typical Performance (Ta=25)

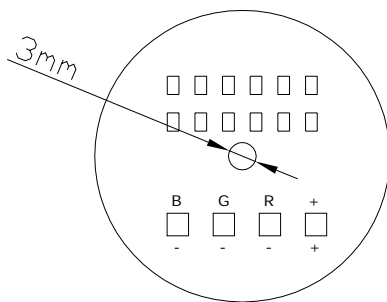
Items	Symbol	Min.	Typ.	Max.	Units
LED Module Power	P _m	-	2.88	5.04	w
Input Voltage(DC)	V _i	-	12	14	V
Product input Current	I _f	-	240	360	mA
Beam Pattern	BP	-	120	-	Deg
Total diameter of PCB	L _{mod.}	-	50	-	mm
Net Weight	Wei.	---	7.5	---	g

Model No.	OSMW05C12GP-XXXXS4C1A-A
REV.	C2

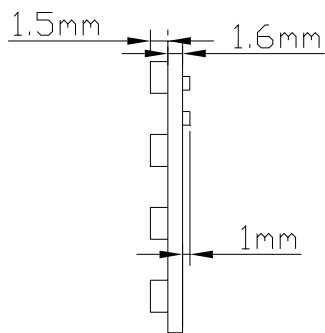
Product Dimensions:



TOP



bottom



side

