



Model No.	OSMW38E20GJ- XXXXS1C1A-A
REV.	C2

PRODUCT SPECIFICATION FOR **LED Light Strip**

Descriptions:

- Low Power Consumption, High Intensity
- Long life, Easy Installation
- Voltages Available 12VDC
- LED Model Number: OSXXXXS1C1A

Features:

- Available in Red , Orange , Yellow , Green , Blue , White
- Directly use on line voltage
- Low Power Consumption , High intensity
- Energy saving
- Excellent beam control
- Long life

Application:

- Channel letter signs
- Indirect accent décor light
- Large area back lighting
- Under counter light
- Decorate building 's contour
- Substitute neon light

Product Picture:





Model No.	OSMW38E20GJ-XXXXS1C1A-A
REV.	C2

Device Selection Guide

Module No.	Color	Dom. Wavelength (Typ.)	Intensity / Per LED (Typ.)
R5MAS1C1A -X	Red	625±5nm	1000 mcd
O5MAS1C1A -X	Orange	605±5nm	1000 mcd
Y5MAS1C1A -X	Yellow	590±5nm	1000 mcd
G5DAS1C1A -X	Green	530±5nm	900 mcd
B5SAS1C1A -X	Blue	475±5nm	400 mcd
W5SAS1C1A -X	White	X=0.27 ; Y=0.28	1500 mcd
M5SLS1C1A -X	Warm White	X=0.45 ; Y=0.41	1000 mcd
K5SLS1C1A -X	Pink	X=0.45 ; Y=0.17	300 mcd

Absolute Maximum Ratings(Ta=25)

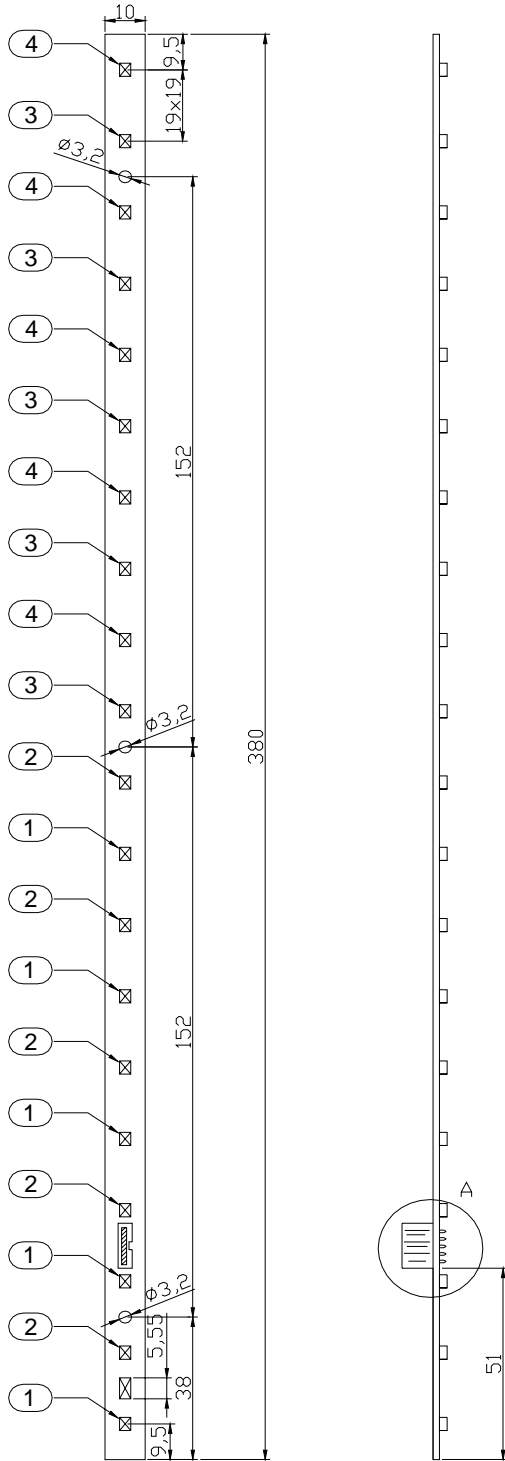
Items	Symbol	Values	Units
Operating supply range(DC)	V _{idc}	14	V
Input Current (DC)	I _i	240	MA
Power Dissipation	P _a	3.36	W
LED Light Source Temperature	T _{led}	105	DegC
Operating Temperature	T _{ope}	-10 ~ +40	DegC
Storage Temperature	T _{sto}	-20 ~ +80	DegC

Typical Performance (Ta=25)

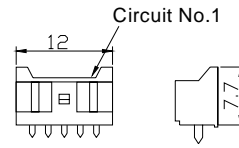
Items	Symbol	Min.	Typ.	Max.	Units
LED Module Power	P _m	---	1.92	3.36	w
Input Voltage(DC)	V _i	---	12	14	V
Product input Current	I _f	---	160	240	mA
Beam Pattern	BP	---	120	---	Deg
Total Length of Modules (Including Pin)	L _{mod.}	---	380	---	mm
Net Weight	Wei.	---	13	---	g

Model No.	OSMW38E20GJ-XXXXS1C1A-A
REV.	C2

Product Dimensions:



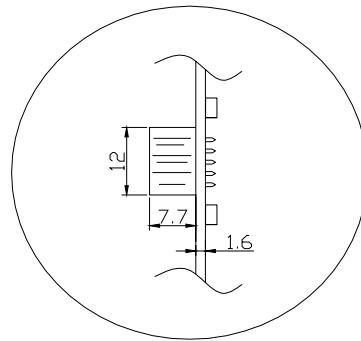
JST PA FAMILY SERIES
TYP: B05B-PASK
TOP ENTRY TYPE



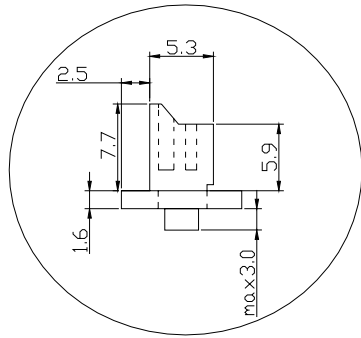
PINOUT

PIN 1	Circuit 1
PIN 2	Circuit 2
PIN 3	Circuit 3
PIN 4	Circuit 4
PIN 5	12 V

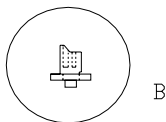
Note: All Circuits switched to GND from the controller board.



EINZELHEIT A



EINZELHEIT B



Unit: mm
Tolerance: ± 1mm