

40 PIN SMD ETHERNET 10 BASE-T QUAD PORT PULSE TRANSFORMER

P/N: 40ST6489B DATA SHEET

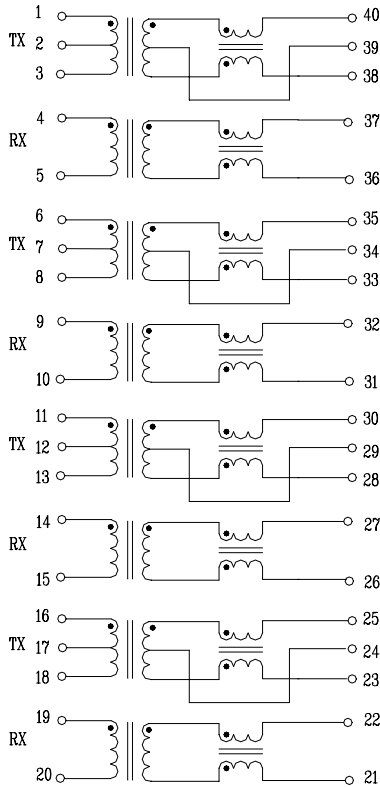
Feature



- 40-PIN SMD Package compatible with IEEE 802.3 standard & for the new Technology “Filterless” transceiver chips.
- Designed for multiport repeater and switched Ethernet Applications utilizing single RJ-45 connectors.
- Operating temperature range : 0°C to +70°C.
- Storage temperature range: -25°C to +125°C.

Electrical Specifications @ 25°C					
Part Number	Turns Ratio		TX/RX OCL (•H Min)	Pri/Sec L.L (•H Max)	Pri/Sec CW/W (pF Max)
	TX	RX			
40ST6489B	1CT:1.41CT	1:1	140	0.4	15
Continue					
Part Number	Peak Pulse Rating (Volts)	Dissipation Rating (m W)	Insulation Resistance (M Ω)	HI-POT (Vrms)	
40ST6489B	50	75	10,000	1500	

Schematic



Mechanical

