

40 PIN SMD ETHERNET 10/100 BASE TX QUAD PORT TRANSFORMER

PN:40ST1063 DATA SHEET

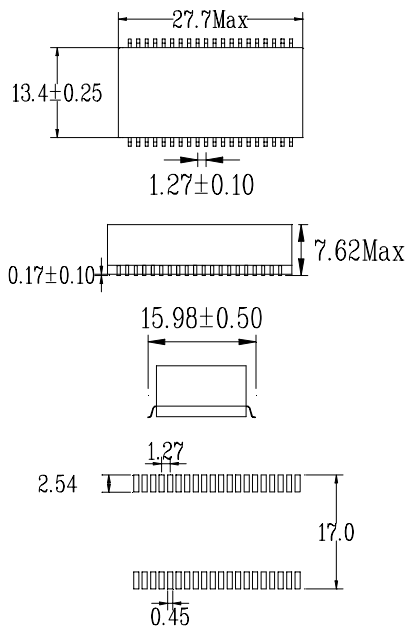
A. GENERAL SPECIFICATIONS

1. 40-PIN SMD PACKAGE COMPATIBLE WITH BROADCOM, NS, TMI, DAVICOM CHIPS
2. DESIGNED FOR MULTIPORT REPEATER AND SWITCHED ETHERNET APPLICATIONS UTILIZING SINGLE RJ-45 CONNECTORS.
3. OPERATING TEMP RANGE: 0°C TO +70°C
4. STORAGE TEMP RANGE: -25°C TO +125°C

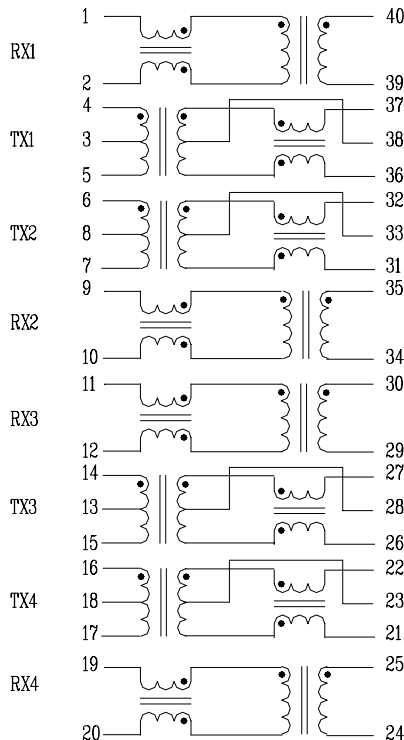
B. ELECTRICAL SPECIFICATIONS @ 25°C

1. ISOLATION HI-POT: 1500 Vrms (PRI. /SEC.)
2. TURN RATIO ($\pm 5\%$): TX=1CT: 1CT, RX=1:1
3. INSULATION RESISTANCE: 10,000 MOHM.
4. PRI./SEC.Cw/w(TX&RX):28 pF MAX.
5. TX/RX L/L (uH MAX.): 0.5/0.5
6. CMRR (1MHz-100 MHz): -40dB Min
7. CROSS TALK (1MHz TO 100MHz): -38dBMIN
8. OCL (uH,Min):350 uH, at 8mA DC FORM 0-70 C
9. PRI.DCR (TX&RX): 0.9 OHM MAX
10. INSERTION LOSS (dB Max): -1.15dB AT 1MHz-100MHz
11. RETURN LOSS (dB Min): 1MHz-30MHz -18dB
 30MHz-60MHz -14dB
 60MHz-80MHz -12dB

C. SCHEMATIC & DIMENSIONS & MARKING (UNIT mm):



Suggest pad layout
 TOLERANCE: ± 0.25



PIN 1 DOT