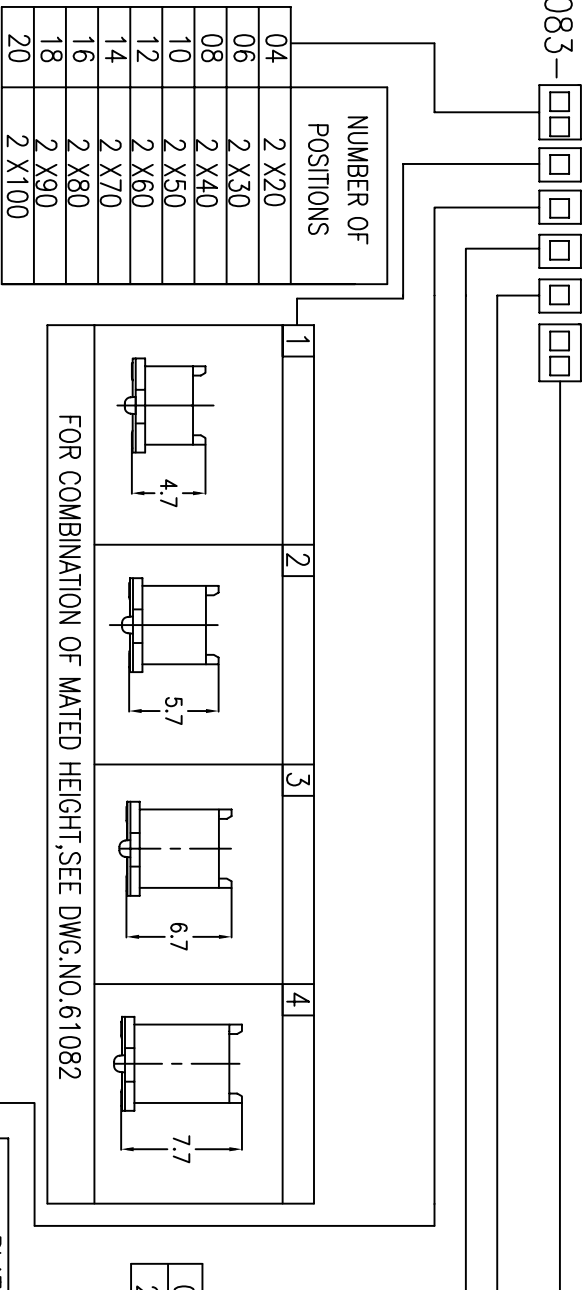


61083-



PACKAGING	
0	TUBE WITHOUT CAP
2	TAPE & REEL WITH CAP
9	TUBE WITH CAP
6	TAPE & REEL WITHOUT CAP (WITH KAPTON TAPE)

POLARIZATION PEG		HOLD DOWN	
0	YES		NO
2	NO		NO



NOTES:

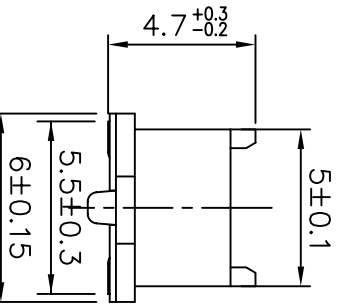
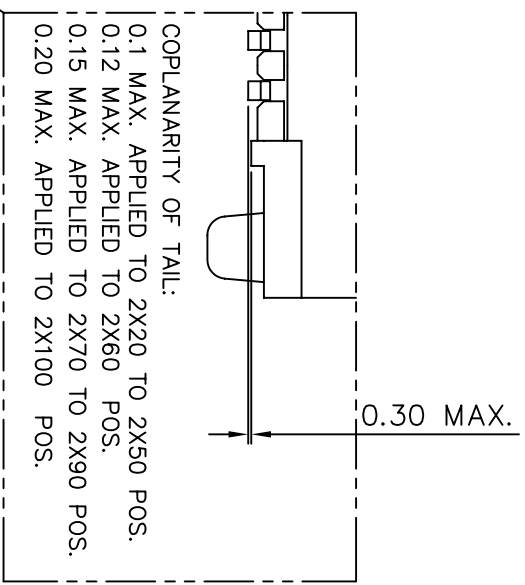
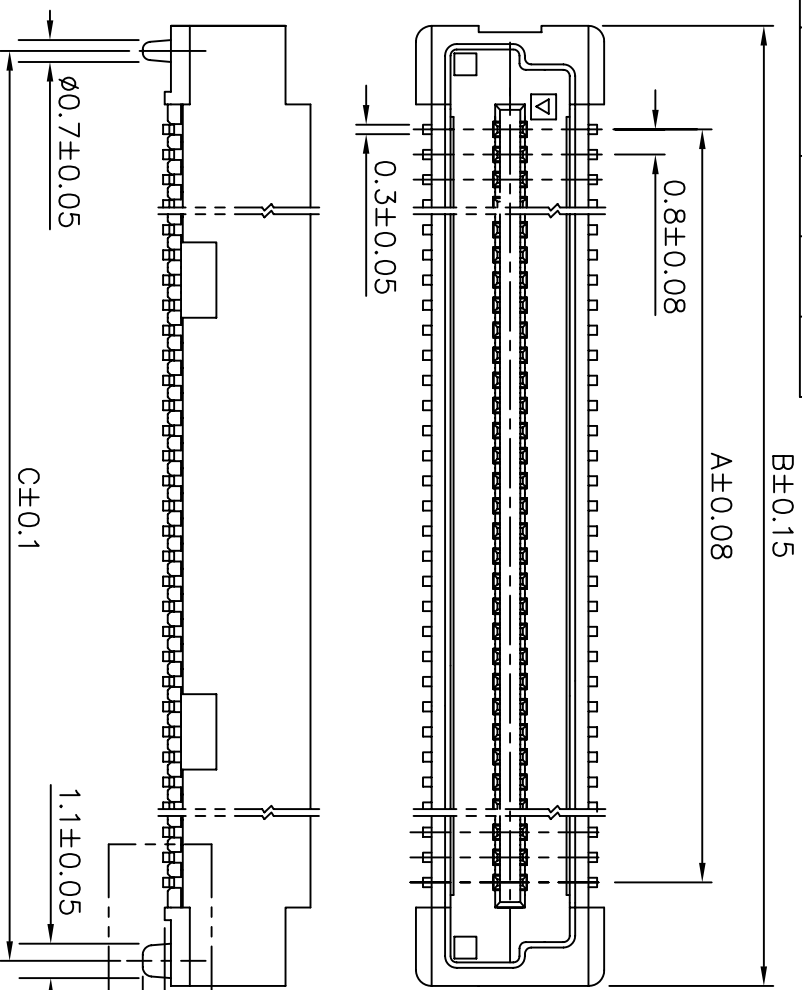
1. MATERIAL: HOUSING: G.F.LCP UL94V-0 TERMINAL: BRASS
2. PLATING: AS TABLE SHOW.
3. SEE GS-12-547 FOR PRODUCT SPECIFICATION.
4. SEE GS-14-551 AND GS-14-816 FOR PACKAGING SPECIFICATION.
5. PACKING OPTION 3: "CUSTOMER-SPECIFIC; LIMITED TO CERTAIN SIZES" PACKING OPTION 2: NOT ALL SIZES AVAILABLE; CHECK WITH FACTORY"
6. THIS PRODUCT MEETS EUROPEAN UNION DIRECTIVES AND OTHER COUNTRY REGULATIONS AS DESCRIBED IN GS-22-008
7. THE HOUSING WILL WITHSTAND EXPOSURE TO 260°C PEAK TEMPERATURE FOR 10 SECONDS IN A CONVECTION, INFRA-RED OR VAPOR PHASE REFLOW OVEN.
8. PLATING OPTION '4' IS LEADFREE ALTERNATIVE FOR OPTION '0', AND OPTION '6' IS LEADFREE ALTERNATIVE FOR OPTION '1'.
9. A Δ SYMBOL WILL BE NEXT TO ANY DIMENSION, NOTE OR VIEW WHICH HAS BEEN MODIFIED WITH THE CURRENT DRAWING REVISION.

PLATING ON CONTACT AREA		
0	GOLD 0.2 um MIN. / TIN LEAD SOLDER NICKEL UNDERPLATE OVERALL 1.27 um MIN	EMPTY
1	PALLADIUM-NICKEL 0.76 umMIN. WITH GOLD FLASH (0.1 um MIN.) / TIN LEAD SOLDER NICKEL UNDERPLATE OVERALL 1.27 um MIN	EMPTY
4	GOLD 0.2 um MIN. / MATT PURE TIN ON SOLDER TAIL NICKEL UNDERPLATE OVERALL 1.27 um MIN (LEAD FREE PLATING)	LF (note 6&8.)
5	GOLD 0.38 um / MATT PURE TIN ON SOLDER TAIL NICKEL UNDERPLATE OVERALL 1.27 um MIN (LEAD FREE PLATING)	LF (note 6.)
6	PALLADIUM-NICKEL 0.76 umMIN. WITH GOLD FLASH (0.1 um MIN.) / MATT PURE TIN ON SOLDER TAIL NICKEL UNDERPLATE OVERALL 1.27 um MIN	LF (note 6&8.)

lfr	ecn no	dr	date	tolerance unless otherwise specified	surface	tolerance	projection	product family	title	dwg no	sheet 1 of 6	size
W	S07-0166	MCH	2007-05-18	angles			MM	BERGSTAK	0.8mm BOARD TO BOARD PLUG ASSY	61083	A4	A4
X	S07-0416	MCH	2007-11-22									
Y	S08-0043	MCH	2008-02-20	0±.2°								
AA	S08-0330	MCH	2008-10-08		MAGIE	WU						
AB	S10-0069	MCH	2010-03-28	engr	YU	WEN	CHU					
U	S05-0098	CH	2005-03-31	chr	M	CHEONG						
V	S05-0288	MCH	2005-10-14	dpd	JOCY	NG						
sheet index	revision	AB	R	R	R	R	S					
	sheet	1	2	3	4	5	6					



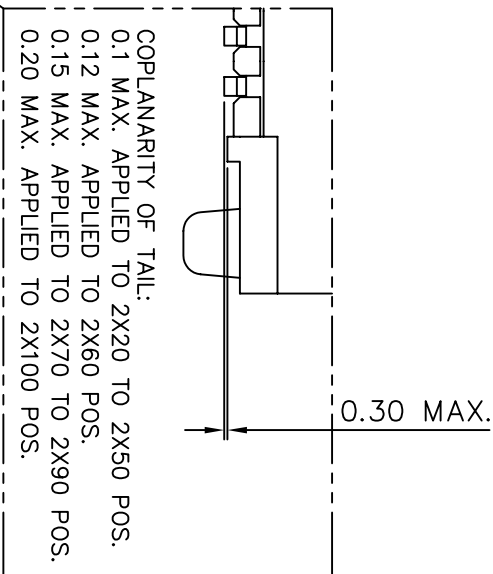
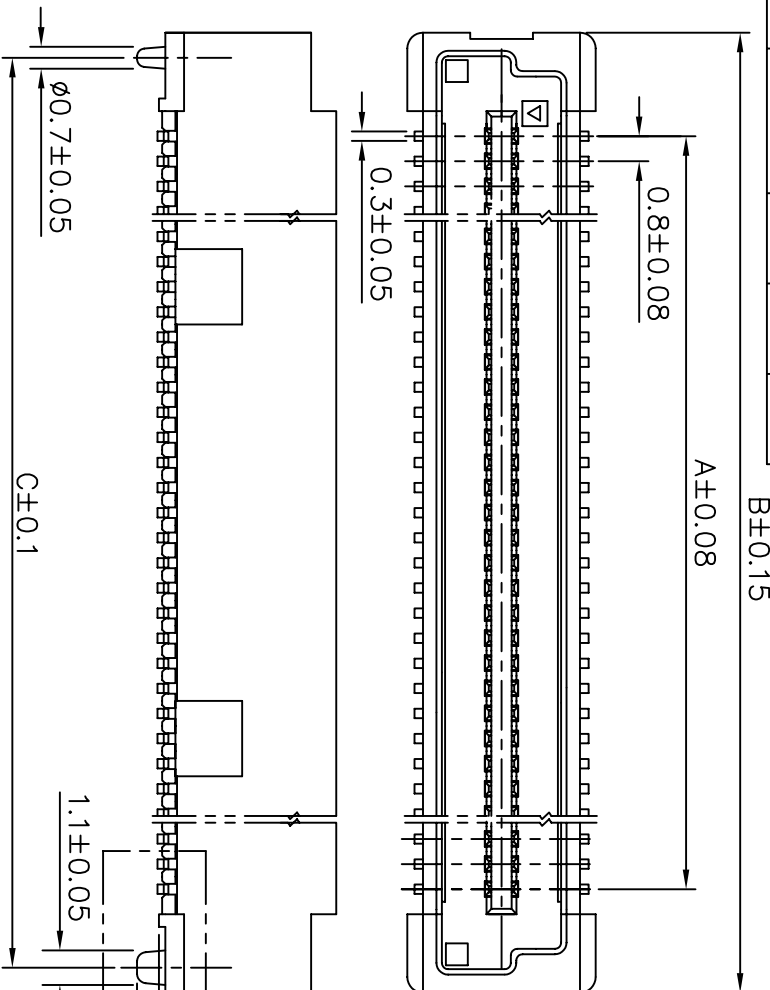
PRODUCT NO.	NUMBER OF POSITIONS	DIMENSION		
		A	B	C
61083-041***	2 X20	15.2	21.8	20.2
61083-061***	2 X30	23.2	29.8	28.2
61083-081***	2 X40	31.2	37.8	36.2
61083-101***	2 X50	39.2	45.8	44.2
61083-121***	2 X60	47.2	53.8	52.2
61083-141***	2 X70	55.2	61.8	60.2
61083-161***	2 X80	63.2	69.8	68.2
61083-181***	2 X90	71.2	77.8	76.2
61083-201***	2 X100	79.2	85.8	84.2



PLUG 1

mat'l. code		surface		tolerance		projection		product family	
lfr	ecr no	dr	date	angles	tolerance unless otherwise specified	MM	title	product family	sheet 2 of 6 size
R	S07-0166	MCH	2007-05-18	0±2°	XXX±0.10	MM	0.8mm BOARD TO BOARD PLUG ASSY	BERGSTAK	61083
engr	YU_WEN_CHU	1999-03-26							
chr	MACHONG	2007-05-18							
dppd	JOEY_NG	2007-05-18							
sheet index	revision								

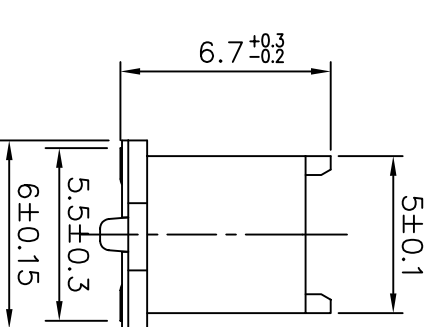
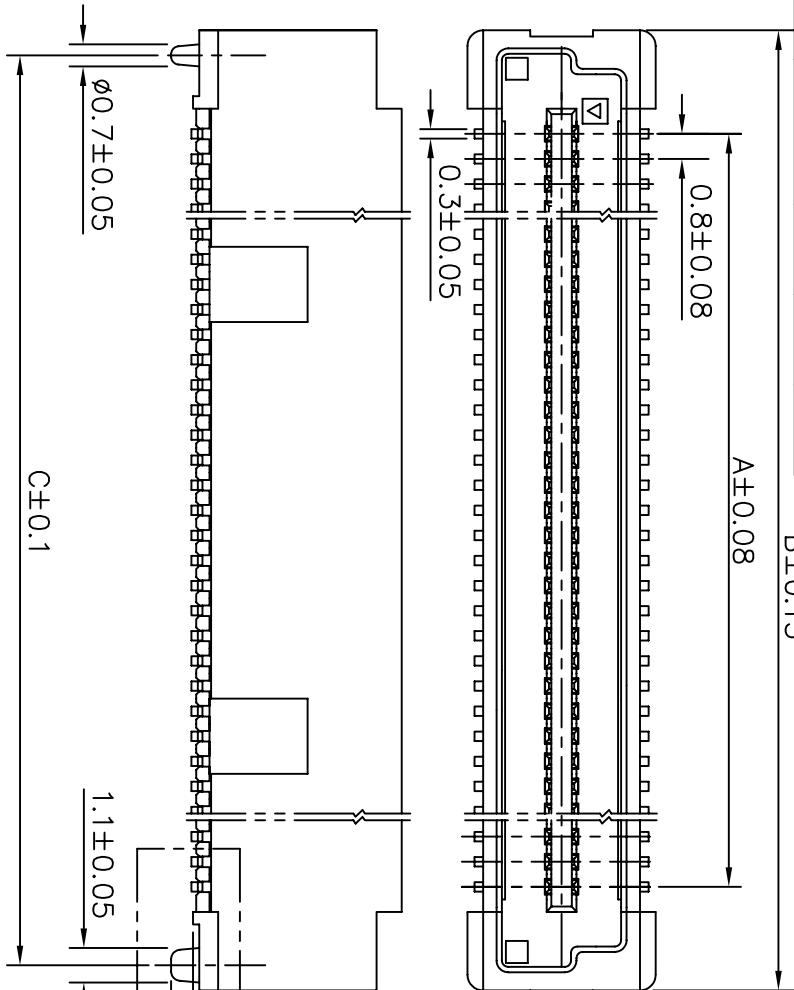
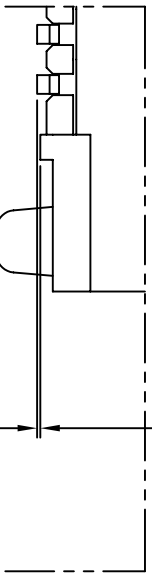
PRODUCT NO.	NUMBER OF POSITIONS	DIMENSION		
		A	B	C
61083-042***	2 X20	15.2	21.8	20.2
61083-062***	2 X30	23.2	29.8	28.2
61083-082***	2 X40	31.2	37.8	36.2
61083-102***	2 X50	39.2	45.8	44.2
61083-122***	2 X60	47.2	53.8	52.2
61083-142***	2 X70	55.2	61.8	60.2
61083-162***	2 X80	63.2	69.8	68.2
61083-182***	2 X90	71.2	77.8	76.2
61083-202***	2 X100	79.2	85.8	84.2



PLUG 2

mat'l. code		surface		tolerance		projection		product family	
lfr	ecn no	dr	date	tolerance unless otherwise specified		MM		BERGSTAK	
P				angles	XXX±0.15	MM		0.8mm BOARD TO BOARD	
R	S07-0166	MCH	2007-05-18	0±2°	XXX±0.10	scale 4:1		PLUG ASSY	
dr	MAGGLE_WU	1999-03-26						sheet 3 of 6 size	
engr	YU_WEN_CHU	1999-03-26						61083	
chr	MACHONG	2007-05-18						CUSTOMER Drawing	
dppd	JOEY_NG	2007-05-18						A4	
sheet index	revision								

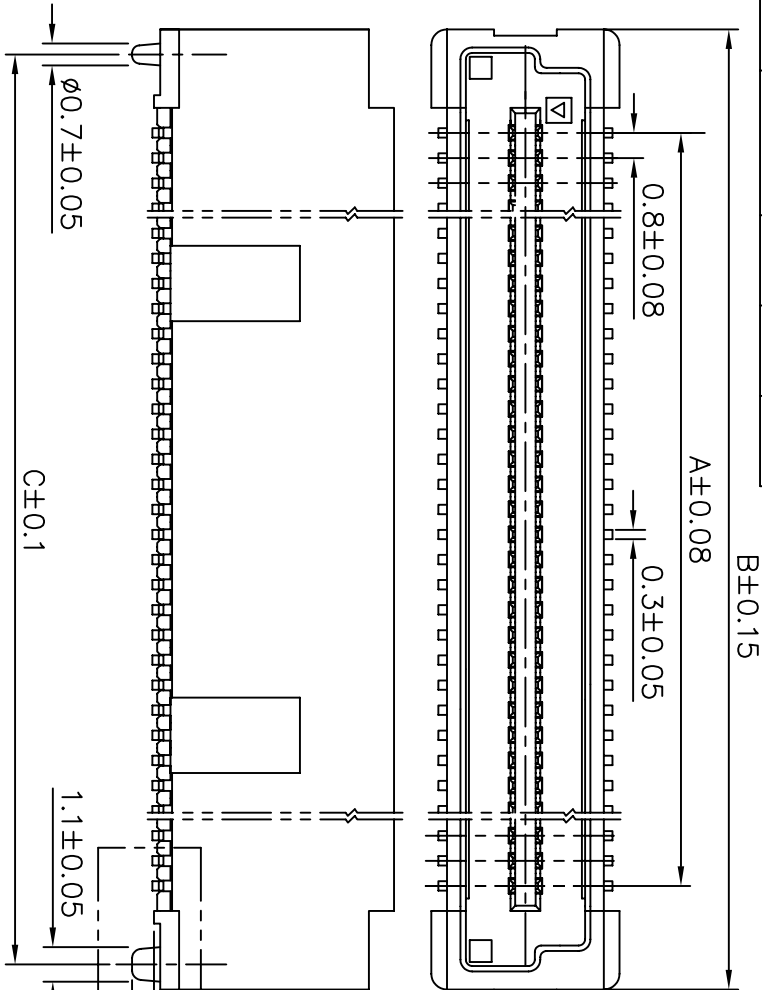
PRODUCT NO.	NUMBER OF POSITIONS	DIMENSION		
		A	B	C
61083-043***	2 X20	15.2	21.8	20.2
61083-063***	2 X30	23.2	29.8	28.2
61083-083***	2 X40	31.2	37.8	36.2
61083-103***	2 X50	39.2	45.8	44.2
61083-123***	2 X60	47.2	53.8	52.2
61083-143***	2 X70	55.2	61.8	60.2
61083-163***	2 X80	63.2	69.8	68.2
61083-183***	2 X90	71.2	77.8	76.2
61083-203***	2 X100	79.2	85.8	84.2



PLUG 3

mat'l. code		surface		tolerance		projection		product family	
lfr	ecn no	dr	date	tolerance unless otherwise specified		MM		BERGSTAK	
P				angles	XXX±0.15	MM		0.8mm BOARD TO BOARD	
R	S07-0166	MCH	2007-05-18	0±2°	XXX±0.10	scale 4:1		PLUG ASSY	
dr		MAGGLE WU		1999-03-26		dwg no		sheet 4 of 6 size	
engr		YU WEN CHU		1999-03-26		61083		A4	
chr		MACHONG		2007-05-18		CUSTOMER Drawing			
dppd		JOEY NG		2007-05-18					
sheet index	revision								

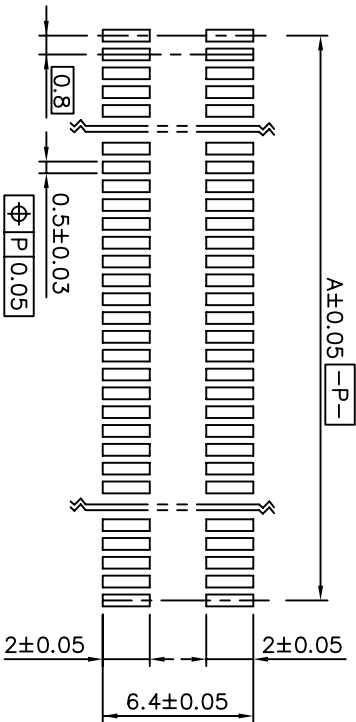
PRODUCT NO.	NUMBER OF POSITIONS	DIMENSION		
		A	B	C
61083-044***	2 X20	15.2	21.8	20.2
61083-064***	2 X30	23.2	29.8	28.2
61083-084***	2 X40	31.2	37.8	36.2
61083-104***	2 X50	39.2	45.8	44.2
61083-124***	2 X60	47.2	53.8	52.2
61083-144***	2 X70	55.2	61.8	60.2
61083-164***	2 X80	63.2	69.8	68.2
61083-184***	2 X90	71.2	77.8	76.2
61083-204***	2 X100	79.2	85.8	84.2



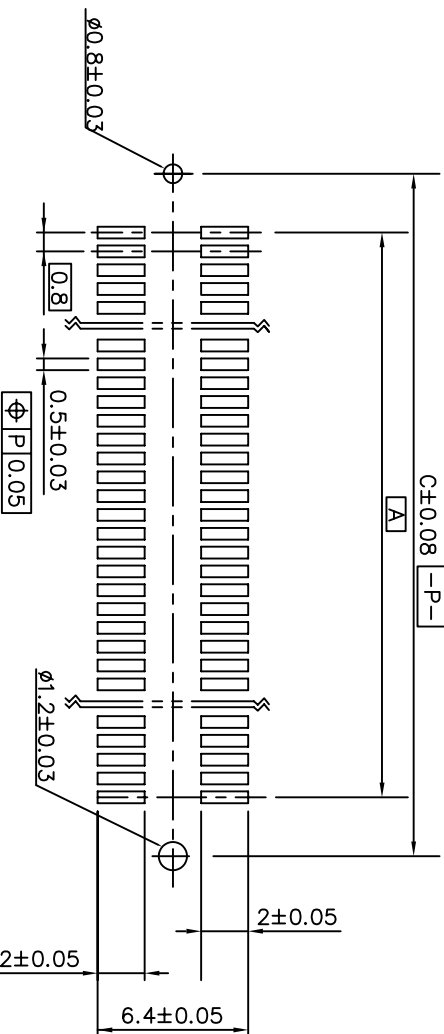
COPLANARITY OF TAIL:
 0.1 MAX. APPLIED TO 2X20 TO 2X50 POS.
 0.12 MAX. APPLIED TO 2X60 POS.
 0.15 MAX. APPLIED TO 2X70 TO 2X90 POS.
 0.20 MAX. APPLIED TO 2X100 POS.

0.30 MAX.

mat'l. code		surface		tolerance		projection		product family	
lfr	ecn no	dr	date	tolerance unless otherwise specified	angles	projection	title	product family	sheet 5 of 6 size
P						MM	0.8mm BOARD TO BOARD PLUG ASSY	BERGSTAK	
R	S07-0166	MCH	2007-05-18		0±2°	4:1			
					XXX±0.10				
		dr	MAGGIE_WU	1999-03-26					
		engr	YU_WEN_CHU	1999-03-26					
		chr	MACHONG	2007-05-18					
		dppd	JOEY_NG	2007-05-18					
sheet index	revision								

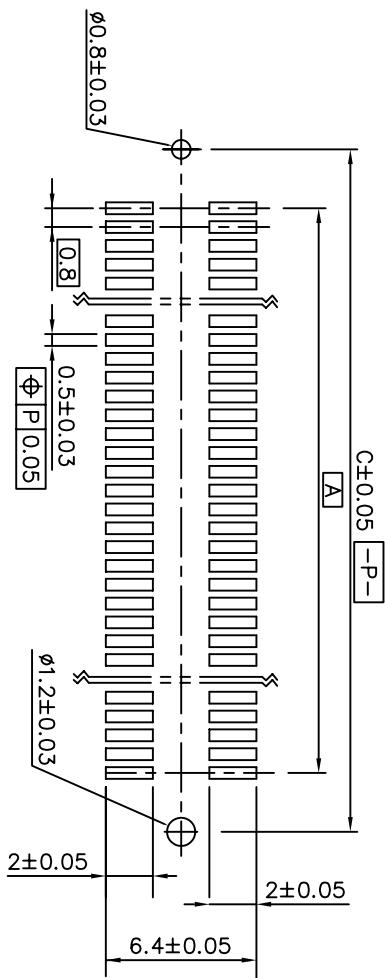


RECOMMENDED PCB LAYOUT WITHOUT PEG AND HOLDDOWN
FOR NO. OF POS. 2X20, 2X30, 2X40, 2X50, 2X60



RECOMMENDED PCB LAYOUT WITH PEG
FOR NO. OF POS. 2X70, 2X80, 2X90, 2X100

FOR PLUG 1/2/3/4



RECOMMENDED PCB LAYOUT WITH PEG
FOR NO. OF POS. 2X20, 2X30, 2X40, 2X50, 2X60

mat'l. code		surface		tolerance		projection		product family	
lfr	ecn no	dr	date	angles	values unless otherwise specified	MM	MM	title	type
N	S07-0166	MCH	2007-05-18	X30.20				0.8mm BOARD TO BOARD PLUG ASSY	
P	S08-0043	MCH	2008-02-20	0 ± 2°	XXX±0.15				
R	S10-0069	MCH	2010-03-26		XXX±0.10				
S									
sheet index		revision		sheet		sheet		sheet	