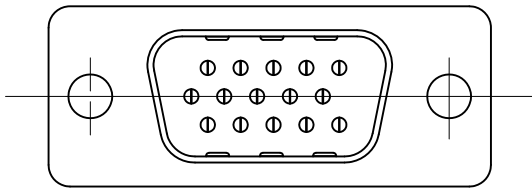
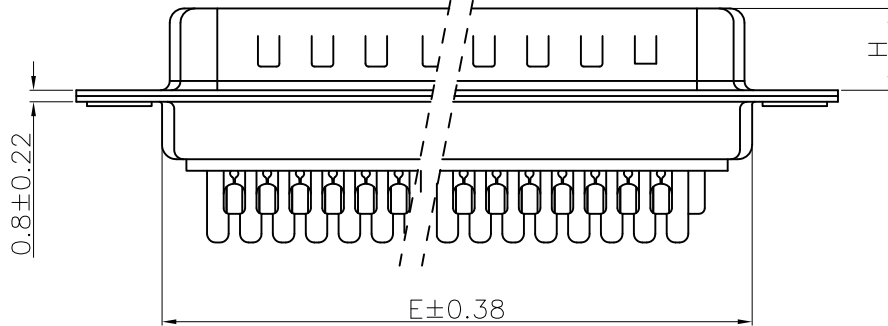


FOR 26/44/62P



FOR 15P

| POS. | PART NO.         | A     | B     | C     | D    | E     | H                                  |
|------|------------------|-------|-------|-------|------|-------|------------------------------------|
| 15   | 10090769-P15*ALF | 30.81 | 24.99 | 16.92 | 2.29 | 19.10 | 5.90 <sup>+0.25</sup> <sub>0</sub> |
| 26   | 10090769-P26*ALF | 39.24 | 33.32 | 25.25 | 2.29 | 27.75 | 5.90 <sup>+0.25</sup> <sub>0</sub> |
| 44   | 10090769-P44*ALF | 53.04 | 47.04 | 38.96 | 2.29 | 41.30 | 5.70 <sup>+0.25</sup> <sub>0</sub> |
| 62   | 10090769-P62*ALF | 69.32 | 63.50 | 55.42 | 2.41 | 57.40 | 5.70 <sup>+0.25</sup> <sub>0</sub> |

REMARK:

1. CHARACTERISTICS:

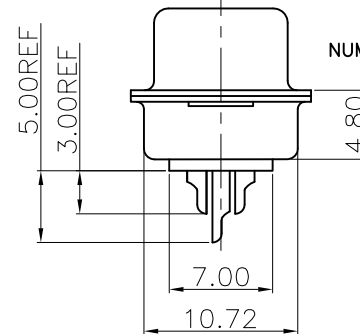
RATED VOLTAGE: 250V  
 RATED CURRENT: 2.5AMP  
 CONTACT RESISTANCE: 25mohms MAX. INITIAL,  
 40mohms MAX. AFTER.  
 INSULATION RESISTANCE: 5000Mohms MIN. at 500V DC  
 DIELECTRIC STRENGTH: 750VRMS  
 OPERATING TEMPERATURE RANGE: -55°C ~105°C  
 INSERTION/EXTRACTION FORCE PER CONTACT: 5N Max./0.2N Min.  
 MATING/UNMATING CYCLES: 50MATINGS MIN FOR GOLD-FLASH  
 500MATINGS MIN FOR 30u" GOLD.

2. MATERIAL:

INSULATORS: THERMOPLASTIC G.F(UL94V-0) BLACK  
 CONTACTS: COPPER ALLOY, GOLD(G/F or 30u") TOP OVER CONTACT  
 AREA, 100u" Min MATTE TIN TOP OVER SOLDER AREA,  
 50u" Min NICKEL UNDER PLATE.  
 SHELL: CARBON STEEL, 100u" Min NICKEL TOP OVER,  
 50u" Min COPPER UNDER PLATE.

3. PART NUMBER DESCRIPTION: 10090769-P XX X X LF

SERIES NO.   
 TYPE:   
 P: PIN (MALE)  
 NUMBER OF CONTACTS:  
 15: 15-PIN  
 26: 26-PIN  
 44: 44-PIN  
 62: 62-PIN  
 LF: ROHS COMPLIANT  
 FLANGE MOUNTING OPTION  
 A: STANDARD HOLE  
 CONTACT FINISH  
 4:GOLD FLASH  
 6:30u" GOLD



| mat'l. code |                |     |          | tolerances unless otherwise specified |                      | CUSTOMER COPY |                              | FCI   |  |
|-------------|----------------|-----|----------|---------------------------------------|----------------------|---------------|------------------------------|-------|--|
| ltr         | ecn no         | dr  | date     | linear                                | .X ± 0.38            | projection    | title                        |       |  |
| A           | T09-1156       | J.H | 12/10/09 |                                       | .XX ± 0.25           |               | H/D D-SUB MALE SOLDER BUCKET |       |  |
|             |                |     |          | angles                                | .XXX ± 0.10          |               | product family               | D-SUB |  |
|             |                |     |          | dr                                    | 0° ±2°               | size          | dwg no                       |       |  |
|             |                |     |          | enr                                   |                      | scale         | 10090769                     |       |  |
|             |                |     |          | chr                                   | JASON HSU 12/10/09   | 1:1           | code                         |       |  |
|             |                |     |          | appd                                  | GARY HSIEH 12/10/09  |               | TWN                          |       |  |
|             |                |     |          |                                       | JOSEPH HSIA 12/10/09 |               | sheet                        |       |  |
| sheet index | revision sheet | A   | A        |                                       |                      |               | 1 of 2                       |       |  |
|             |                | 1   | 2        |                                       |                      |               |                              |       |  |

Tous droits strictement réservés. Reproduction ou communication a des tiers interdite sous quelque forme que ce soit sans autorisation écrite du propriétaire. Propriete de c FCI. Droite de reproduction FCI.

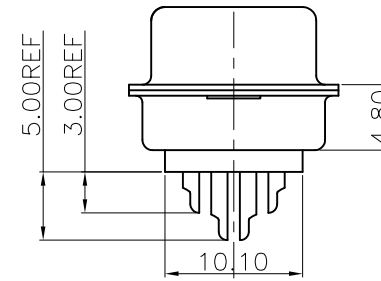
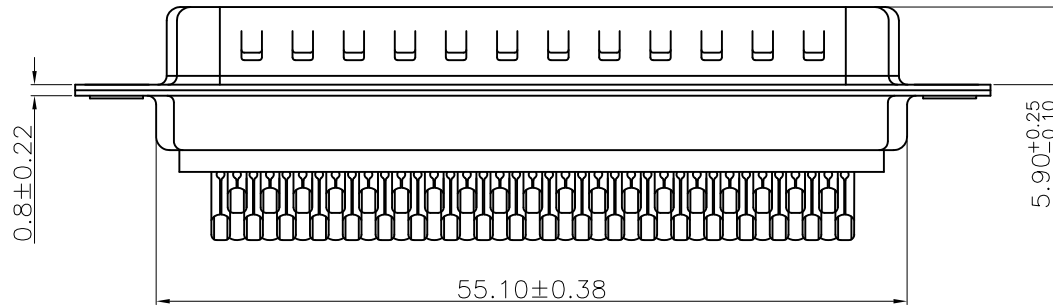
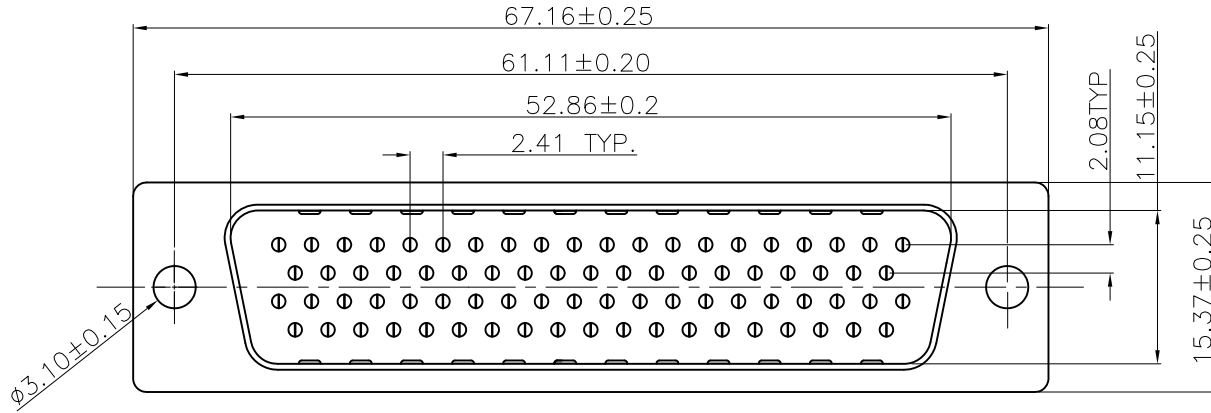


All rights strictly reserved. Reproduction or issue to third parties in any form whatever is not permitted without written authority from the proprietor. Property of FCI. Copyright FCI.

1 | 2

3

4



REMARK:

1. CHARACTERISTICS:

RATED VOLTAGE: 250V  
 RATED CURRENT: 2.5AMP  
 CONTACT RESISTANCE: 35mohms MAX. INITIAL,  
 50mohms MAX. AFTER.  
 INSULATION RESISTANCE: 5000Mohms MIN. at 500V DC  
 DIELECTRIC STRENGTH: 750VRMS  
 OPERATING TEMPERATURE RANGE: -55°C ~105°C  
 INSERTION/EXTRACTION FORCE PER CONTACT: 5N Max. /0.2N Min.  
 MATING/UNMATING CYCLES: 50MATINGS MIN FOR GOLD-FLASH  
 500MATINGS MIN FOR 30u" GOLD.

2. MATERIAL:

INSULATORS: THERMOPLASTIC G.F(UL94V-0) BLACK  
 CONTACTS: COPPER ALLOY, GOLD(G/F or 30U") TOP OVER CONTACT  
 AREA, 100u" Min MATTE TIN TOP OVER SOLDER AREA,  
 50u" Min NICKEL UNDER PLATE.  
 SHELL: CARBON STEEL, 100u" Min NICKEL TOP OVER,  
 50u" Min COPPER UNDER PLATE.

3. PART NUMBER DESCRIPTION: 10090769-P XX X X LF

SERIES NO. \_\_\_\_\_  
 TYPE \_\_\_\_\_  
 P: PIN (MALE)  
 NUMBER OF CONTACTS \_\_\_\_\_  
 78: 78-PIN

LF:ROHS COMPLIANT  
 FLANGE MOUNTING OPTION  
 A:STANDARD HOLE

CONTACT FINISH  
 4:GOLD FLASH  
 6:30u" GOLD

PART NO.: 10090769-P78\*ALF

|             |                |    |      |                                       |             |          |               |                                  |                           |              |      |
|-------------|----------------|----|------|---------------------------------------|-------------|----------|---------------|----------------------------------|---------------------------|--------------|------|
| mat'l. code |                |    |      | tolerances unless otherwise specified |             |          | CUSTOMER COPY |                                  | FCI<br>www.fciconnect.com |              |      |
| ltr         | ecn no         | dr | date | linear                                | .X ± 0.38   |          | projection    | title                            |                           |              |      |
| A           |                |    |      |                                       | .XX ± 0.25  |          |               | H/D D-SUB 78P MALE SOLDER BUCKET | product family D-SUB      |              | code |
|             |                |    |      |                                       | .XXX ± 0.10 |          |               |                                  | MM                        | size dwg no  |      |
|             |                |    |      | angles                                | 0° ±2'      |          | scale         | A4 10090769                      |                           | sheet 2 of 2 |      |
|             |                |    |      | dr                                    | JASON HSU   | 12/10/09 |               |                                  |                           |              |      |
|             |                |    |      | enr                                   | JASON HSU   | 12/10/09 |               |                                  |                           |              |      |
|             |                |    |      | chr                                   | GARY HSIEH  | 12/10/09 |               |                                  |                           |              |      |
|             |                |    |      | appd                                  | JOSEPH HSIA | 12/10/09 |               |                                  |                           |              |      |
| sheet index | revision sheet |    |      |                                       |             |          |               |                                  |                           |              |      |

1 | 2

3

4