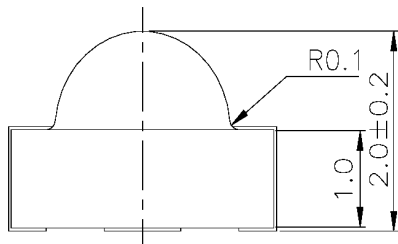
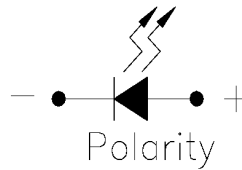
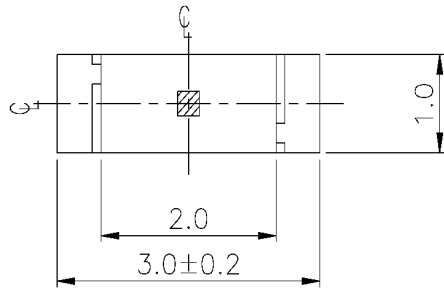


**IVGC0128**

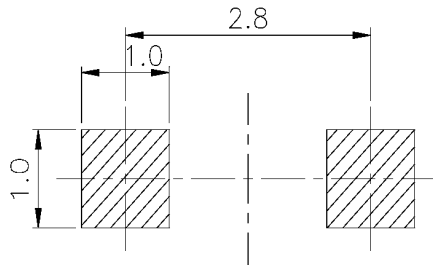
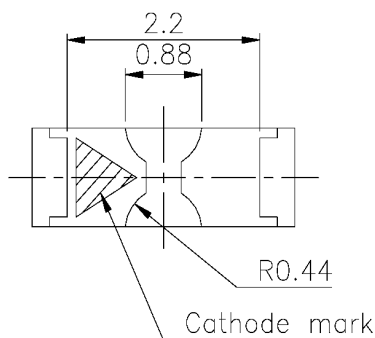
Page 1 of 2



These lamps are miniature chip type designed for surface mounting.



For reflow soldering (propose)



PART NO.	Chip		Lens Color
	Material	Emitted Color	
IVGC0128	GaP	Green	Water Clear

\* Specifications subject to change without notice. Dimensions are in mm±0.1 unless stated otherwise.  
 IDEA, Inc., 1351 Titan Way, Brea, CA 92821 Ph:714-525-3302, 800-LED-IDEA; Fax: 714-525-3304 0507

**Absolute Maximum Ratings at  $T_a = 25\text{ }^\circ\text{C}$** 

Parameter	Symbol	Rating	Units
Forward Current	$I_F$	30	mA
Operating Temperature	$T_{opr}$	-40 to +85	$^\circ\text{C}$
Storage Temperature	$T_{stg}$	-40 to +90	$^\circ\text{C}$
Soldering Temperature	$T_{sol}$	260 (for 5 seconds)	$^\circ\text{C}$
Power Dissipation	$P_d$	100	mW
Peak Forward Current (Duty 1/10 @ 1KHz)	$I_F$ (Peak)	160	mA
Reverse Voltage	$V_R$	5	V

**Electronic Optical Characteristics**

Parameter	Symbol	Min.	Typ.	Max.	Units	Condition
Luminous Intensity	$I_V$	6.0	10.0	—	mcd	$I_F = 20\text{ mA}$
Viewing Angle	$2\theta_{1/2}$	—	120	—	deg	$I_F = 20\text{ mA}$
Peak Wavelength	$\lambda_p$	—	570	—	nm	$I_F = 20\text{ mA}$
Dominant Wavelength	$\lambda_d$	—	571	—	nm	$I_F = 20\text{ mA}$
Spectrum Radiation Bandwidth	$\Delta\lambda$	—	30	—	nm	$I_F = 20\text{ mA}$
Forward Voltage	$V_F$	1.7	2.1	2.4	V	$I_F = 20\text{ mA}$
Reverse Current	$I_R$	—	—	10	$\mu\text{A}$	$V_R = 5\text{ V}$

\* Specifications subject to change without notice. Dimensions are in mm $\pm$ 0.1 unless stated otherwise.

IDEA, Inc., 1351 Titan Way, Brea, CA 92821 Ph:714-525-3302, 800-LED-IDEA; Fax: 714-525-3304 0507