



FEATURES

- Up to 12 watts/cubic inch
- Efficiency to 90%
- Ultra Wide Input Voltage Range
- Thermal Overload Protection
- Six-Sided Shielding,
Low Thermal Gradient
Copper Case
- Reverse Polarity Protection

APPLICATIONS

- Telecommunications
- Transportation
- Battery Operated Equipment
- Process Control Equipment



Model	Input Range (VDC)	Output Voltages (VDC)	Output Current (AMPS)	Eff. @ F.L. (TYP)
DC702	8-40 (12V nom)	5	3	78%
DC703	8-40 (12V nom)	5	5	76%
DC705	15-40 (24V nom)	12	3	88%
DC706	15-40 (24V nom)	12	5	86%
DC707	18-40 (24V nom)	15	3	90%
DC708	18-40 (24V nom)	15	5	88%

CONTACT OUR SALES APPLICATION DEPARTMENT WITH YOUR CUSTOM DESIGNS AND SPECIFICATIONS. AT INTRONICS WE ARE PREPARED TO RESPOND PROMPTLY TO YOUR NEEDS.

GENERAL SPECIFICATIONS

Input Filter	Pi
Voltage Accuracy	± 1%
Voltage Adjustments	± 10%
Ripple	<1%
Noise (<20 MHz)	<2%
Temperature Coefficient	.02%/°C
Regulation Line	± 0.5% Main LL-HL
Load	± 0.5% NL-FL
Isolation	None. Pins 2 & 7 Internally Connected
Switching Frequency	40 KHz Typical Fixed
Efficiency	See Table

FAULT PROTECTION

Reverse Polarity Protection	Yes (External fuse required)
Overvoltage Main	Yes
Short Circuit	Indefinite, Auto Recovery

ENVIRONMENTAL

Thermal Trip Point	110°C Case Temperature
Operating Temperature	-25°C to 70°C
Storage Temperature	Refer to derating curve -40°C to 105°C

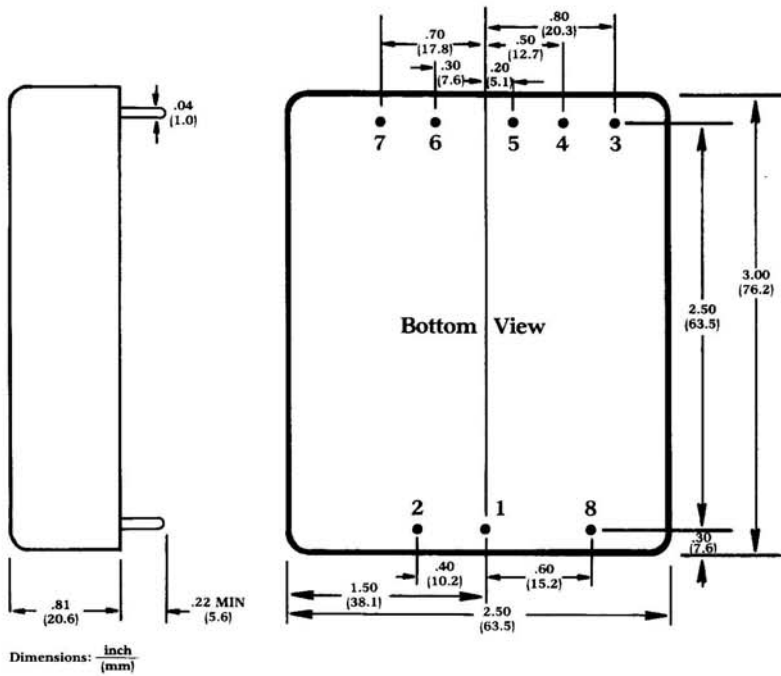
NOTES:

1. Remote sense and remote control are standard on Models DC703, DC706 and DC708. At input voltages below nominal, current limit is 4 Amps minimum for these models.
2. Remote Control:
CMOS 0± TTL open collector
ON - 4.2 VDC or open circuit
OFF - 3.5 VDC or lower (4ma sink)

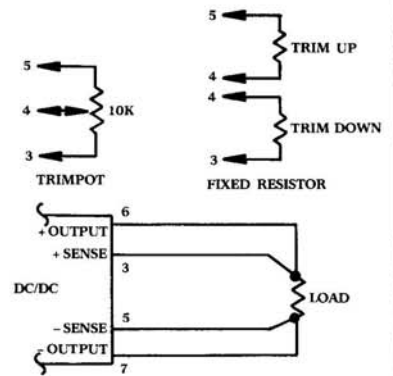
MECHANICAL OUTLINES AND CONNECTIONS

DC700 Series

PIN	FUNCTION
1	+ INPUT
2	- INPUT
3	+ SENSE
4	TRIM
5	- SENSE
6	+ OUTPUT
7	- OUTPUT
8	ON/OFF

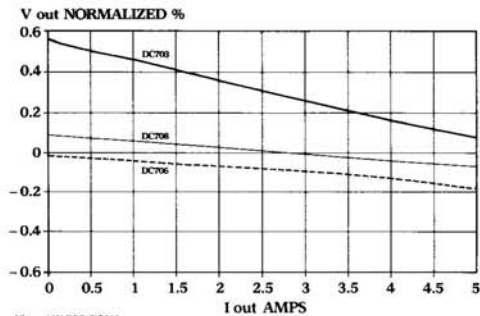


CONNECTIONS FOR OUTPUT TRIM



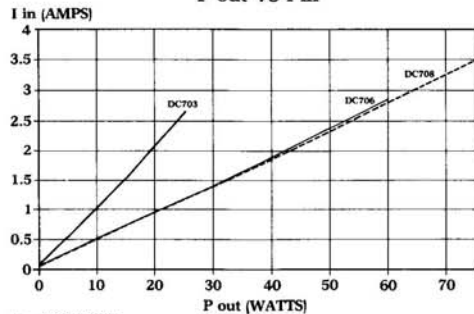
PERFORMANCE CURVES

DC700 SERIES
OUTPUT REGULATION



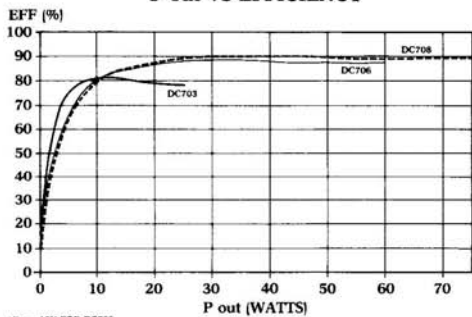
V_{in} = 12V FOR DC703
 V_{in} = 24V FOR DC706 & DC708

DC700 SERIES
P out VS I in



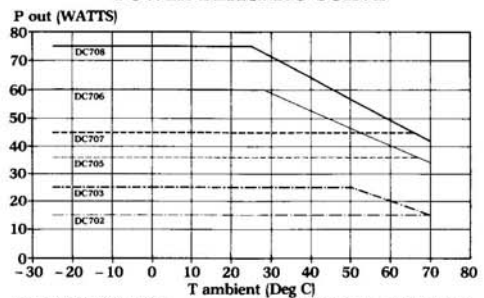
V_{in} = 12V FOR DC703
 V_{in} = 24V FOR DC706 & DC708

DC700 SERIES
P out VS EFFICIENCY



V_{in} = 12V FOR DC703
 V_{in} = 24V FOR DC706 & DC708

DC700 SERIES
POWER DERATING CURVE



V_{in} = 12V FOR DC702 & DC703
 V_{in} = 24V FOR DC705, DC706, DC707 & DC708

For increased Operating Temperature Range,
 forced air may be required. (Consult factory).
 Maximum operating case temperature is 85°C.