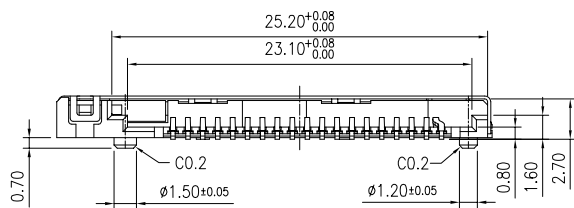
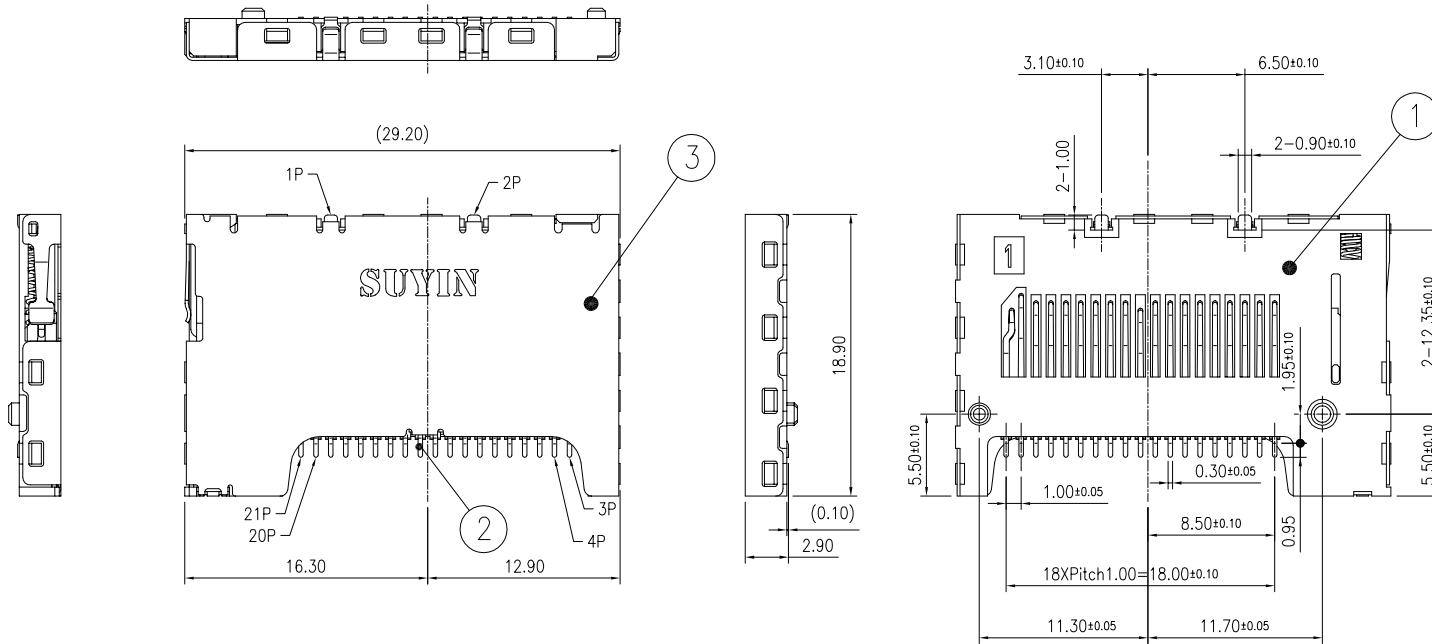


LEAD FREE PRODUCT



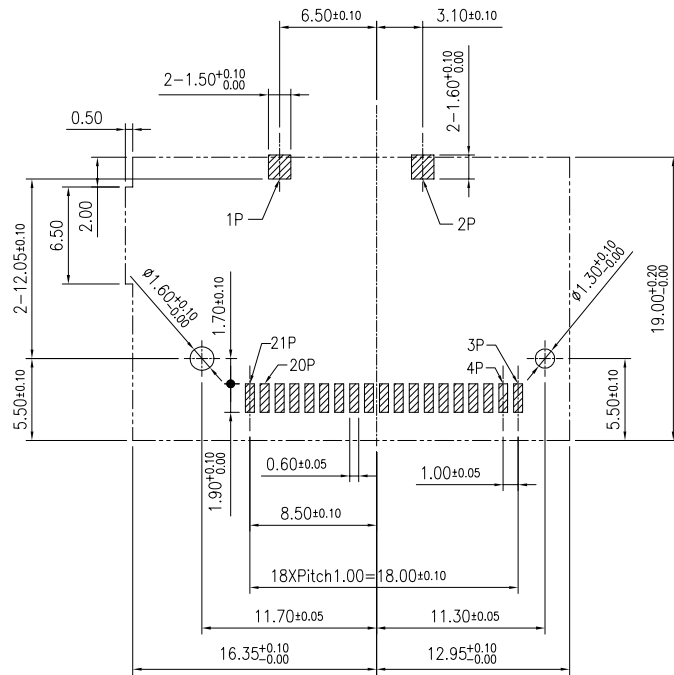
NOTE:
100072FB019□□00ZL

- S1-05u"Min.Gold in contact area/
100u"Min.Tin in solder area.
- S2-Gold flash in contact area/
100u"Min.Tin in solder area.
- S3-10u"Min.Gold in contact area/
100u"Min.Tin in solder area.
- S4-15u"Min.Gold in contact area/
100u"Min.Tin in solder area.
- S5-30u"Min.Gold in contact area/
100u"Min.Tin in solder area.
- S6-50u"Min.Gold in contact area/
100u"Min.Tin in solder area.


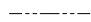
NO.	DESCRIPTION	MATERIAL	COLOR	REMARK
3	SHELL	SUS304-H		
2	TERMINAL	C5210-EH		Gold/Tin plated
1	PLASTIC	LCP	BLACK	UL94V-0

SUYIN CONNECTOR	
CUSTOMER COPY	TITLE: XD PICTURE PP/TOP CONN.
PART NO.	100072FB019SX00ZL
PART NO.(OLD)	
FILE NAME.	CING 100072FB019SX00ZL-C
SCALE	2.5:1
UNIT:mm	A4
SHEET: 1 of 3	

ECN(DCN) NO.	REV	DATE	DESCRIPTION	CHANGE	APPRO.	GENERAL TOLERANCE UNLESS OTHERWISE NOTED	APPRO.
	PO		NEW			Angle ±2°	
						30 ~ ±0.50	DRAW
						10 ~ 30 ±0.30	DESIGN
						~ 10 ±0.15	CHECK
							APPRO.



Recommended PCB Layout

 : Pad Area
 : Keep Out Area

Memory Card Pin Assignment

Pad No.	Pin Assignment
1P	GND
2P	GND
3P	XD-01P(CD)
4P	XD-01P(GND)
5P	XD-02P(R/-B)
6P	XD-03P(-RE)
7P	XD-04P(-CE)
8P	XD-05P(CLE)
9P	XD-06P(ALE)
10P	XD-07P(-WE)
11P	XD-08P(-WP)
12P	XD-09P(GND)
13P	XD-10P(D0)
14P	XD-11P(D1)
15P	XD-12P(D2)
16P	XD-13P(D3)
17P	XD-14P(D4)
18P	XD-15P(D5)
19P	XD-16P(D6)
20P	XD-17P(D7)
21P	XD-18P(Vcc)

NO.	DESCRIPTION	MATERIAL	COLOR	REMARK
2	TERMINAL	C5210-EH		Gold/Tin plated
1	PLASTIC	LCP	BLACK	UL94V-0

SUYIN
CONNECTOR

CUSTOMER COPY	TITLE: XD PICTURE PP/TOP CONN.
PART NO.	100072FB019SX00ZL
PART NO.(OLD)	
DRAWING NO.	100072FB019SX00ZL-C
SCALE	2.5:1
UNIT:mm	A4
SHEET: 2 of 3	

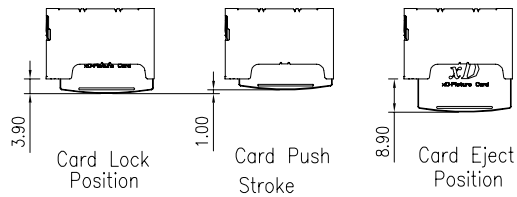
ECN(DCN) NO.	REV	DATE	DESCRIPTION	CHANGE	APPRO.	GENERAL TOLERANCE UNLESS OTHERWISE NOTED
	PO		NEW			Angle ±2° 30 ~ ±0.50 10 ~ 30 ±0.30 ~ 10 ±0.15
						DRAW DESIGN CHECK APPRO.

A
B
C
D
E
F
G
H
I
J
K
L
M
N

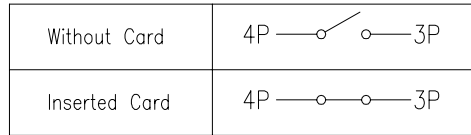
Notes:

1. Material:
 - 1-1 Housing:LCP,Black,UL94V-0.
 - 1-2 Terminal: C5210-EH
 - 1-3 Shell:Stainless Steel.
2. Plating in Contact:
 - 2-1 Under-Plate Nickel All Over.
 - 2-2 Plate Gold In Contact Area.
 - 2-3 Plate Tin Lead In Tail Zone.
3. Coplanarity:0.12 Max.

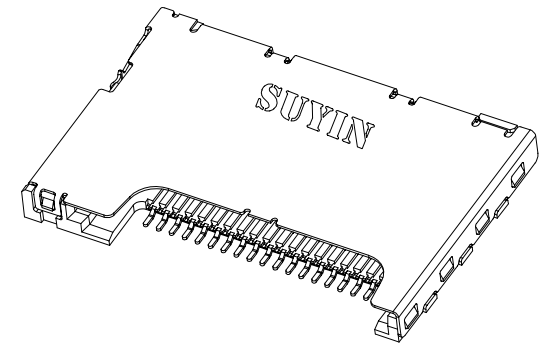
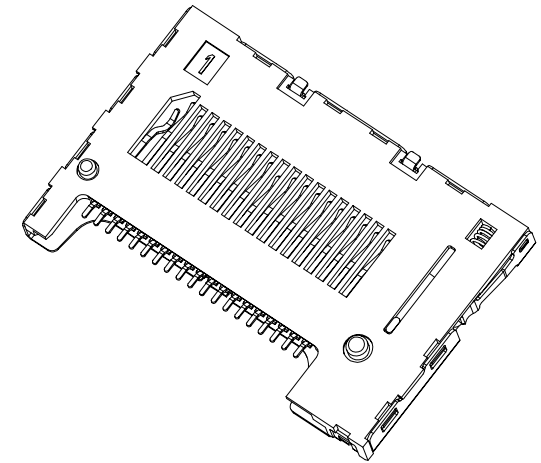
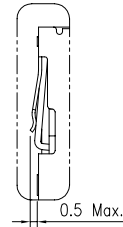
5. Card End Position:



6. Circuit Of Switches:



7. Connector Use Space :



2				
1				
NO.	DESCRIPTION	MATERIAL	COLOR	REMARK

SUYIN
CONNECTOR

CUSTOMER COPY	TITLE: XD PICTURE PP/TOP CONN.
PART NO.	100072FB019SX00ZL
PART NO.(OLD)	
DRAWING NO.	C 100072FB019SX00ZL-C
SCALE	2.5:1 UNIT:mm A4 SHEET: 3 of 3

						Angle	±2°	DRAW		
						30 ~	±0.50	DESIGN		
						10 ~ 30	±0.30	CHECK		
	PO		NEW			~ 10	±0.15	APPRO.		
ECN(DCN) NO.	REV	DATE	DESCRIPTION	CHANGE	APPRO.	GENERAL TOLERANCE UNLESS OTHERWISE NOTED		APPRO.		