

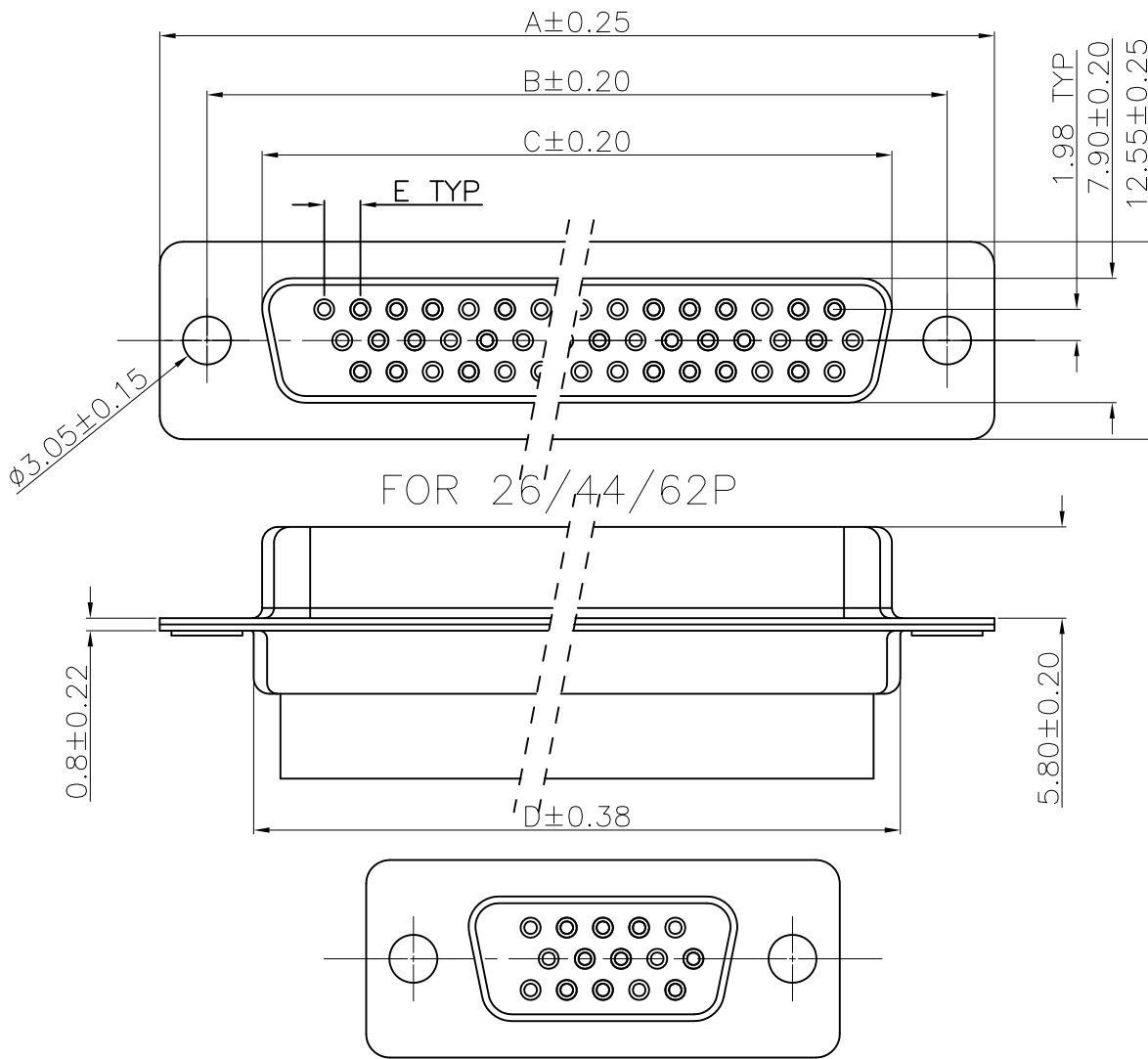


B

1 | 2

3

4

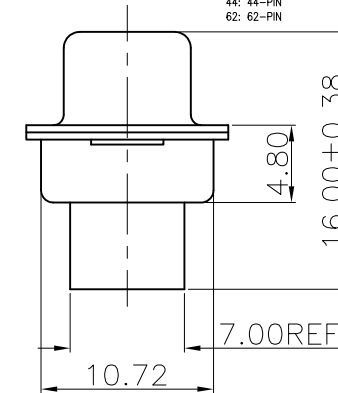


REMARK:

- CHARACTERISTICS:  
OPERATING TEMPERATURE RANGE: -55° C~105° C
- MATERIAL:  
INSULATORS: THERMOPLASTIC G.F (UL94V-0) BLACK  
SHELL: CARBON STEEL, 100u" Min NICKEL TIN TOP OVER,  
50u" Min COPPER UNDER PLATE.  
STOPPER: CARBON STEEL.

3. PART NUMBER DESCRIPTION: 10090931-S XX X X LF

SERIES NO.	TYPE	NUMBER OF CONTACTS	CONTACT FINISH
S: SOCKET (FEMALE)		15: 15-PIN 26: 26-PIN 44: 44-PIN 62: 62-PIN	0: NO CONTACT
			LF: ROHS COMPLIANT
			FLANGE MOUNTING OPTION
			A: STANDARD HOLE



A

POS.	PART NO.	A	B	C	D	E
15	10090931-S150ALF	30.81	24.99	16.33	19.10	2.29
26	10090931-S260ALF	39.24	33.32	24.66	27.75	2.29
44	10090931-S440ALF	53.04	47.04	38.38	41.30	2.29
62	10090931-S620ALF	69.32	63.50	54.84	57.40	2.41

FOR 15P

mat'l. code				tolerances unless otherwise specified				CUSTOMER COPY		FCI		www.fciconnect.com	
ltr	ecn no	dr	date	linear	.X ± 0.38	projection	title						
A	T09-1157	J.H	12/10/09	angles	.XX ± 0.25		HDEC FEMALE CRIMPING						
					.XXX ± 0.10		product family D-SUB		code TWN				
				dr	JASON HSU 12/10/09	MM	size		dwg no		sheet 1 of 2		
				enr	JASON HSU 12/10/09	scale	A4		10090931				
				chr	GARY HSIEH 12/10/09	1:1							
				appd	JOSEPH HSIA 12/10/09								
sheet index	revision sheet	A 1	A 2										

B

1 | 2

3

4

Tous droits strictement réservés. Reproduction ou communication a des tiers interdite sous quelque forme que ce soit sans autorisation écrite du propriétaire. Propriete de c FCI. Droits de reproduction FCI.

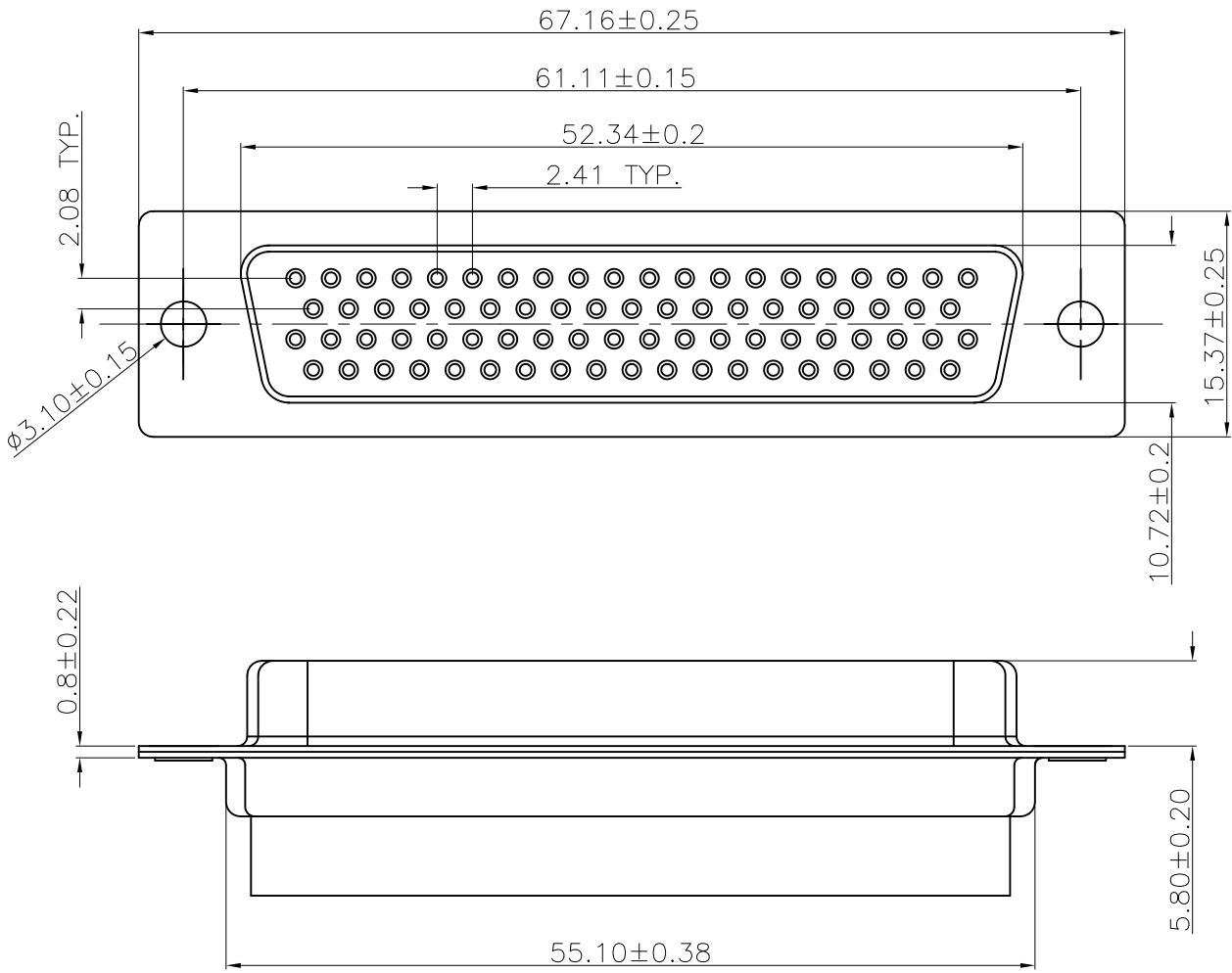


All rights strictly reserved. Reproduction or issue to third parties in any form whatever is not permitted without written authority from the proprietor. Property of FCI. Copyright FCI.

1 | 2

3

4



REMARK:

1. CHARACTERISTICS:

OPERATING TEMPERATURE RANGE:  $-55^{\circ}C \sim 105^{\circ}C$

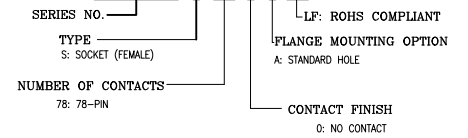
2. MATERIAL:

INSULATORS: THERMOPLASTIC G.F(UL94V-0) BLACK

SHELL: CARBON STEEL, 100u" Min NICKEL TIN TOP OVER, 50u" Min COPPER UNDER PLATE.

STOPPER: CARBON STEEL.

3. PART NUMBER DESCRIPTION: 10090931-S XX X X LF



PART NO.: 10090770-S780ALF

mat'l. code				tolerances unless otherwise specified			CUSTOMER COPY		FCI www.fciconnect.com			
ltr	ecn no	dr	date	linear	.X $\pm 0.38$	projection	title	HDEC 78P FEMALE CRIMPING				
A					.XX $\pm 0.25$							
					.XXX $\pm 0.10$							
				angles	0' $\pm 2'$	MM	product family	D-SUB		code		
				dr	JASON HSU 12/10/09			scale	size	dwg no	10090931	TWN
				enr	JASON HSU 12/10/09							1:1
				chr	GARY HSIEH 12/10/09							
				appd	JOSEPH HSIA 12/10/09							
sheet index	revision sheet											

1 | 2

3

4

ACAD

PDM: Rev:A

STATUS: Released

Printed: Dec 22, 2009