

FOR 15P

REMARK:

1. CHARACTERISTICS:

- RATED VOLTAGE: 250V
- RATED CURRENT: 2.5AMP
- CONTACT RESISTANCE: 25mohms MAX. INITIAL, 40mohms MAX. AFTER.
- INSULATION RESISTANCE: 5000Mohms MIN. at 500V DC
- DIELECTRIC STRENGTH: 750VRMS
- OPERATING TEMPERATURE RANGE: -55° C~105° C
- INSERTION/EXTRACTION FORCE PER CONTACT: 5N Max./0.2N Min.
- MATING/UNMATING CYCLES: 200MATINGS MIN FOR GOLD-FLASH 500MATINGS MIN FOR 30u" GOLD.

2. MATERIAL:

- INSULATORS: THERMOPLASTIC G.F(UL94V-0) BLACK
- CONTACTS: COPPER ALLOY, GOLD(G/F or 30u") TOP OVER CONTACT AREA, 100u" Min MATTE TIN TOP OVER SOLDER AREA, 50u" Min NICKEL UNDER PLATE.
- SHELL: CARBON STEEL, 100u" Min NICKEL TOP OVER, 50u" Min COPPER UNDER PLATE.
- HARPOON: COPPER ALLOY , 100u" Min MATTE TIN PLATED.

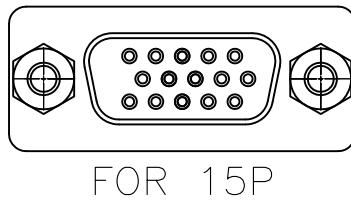
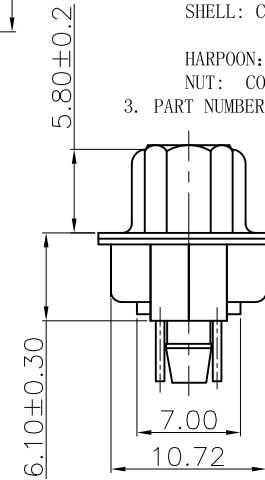
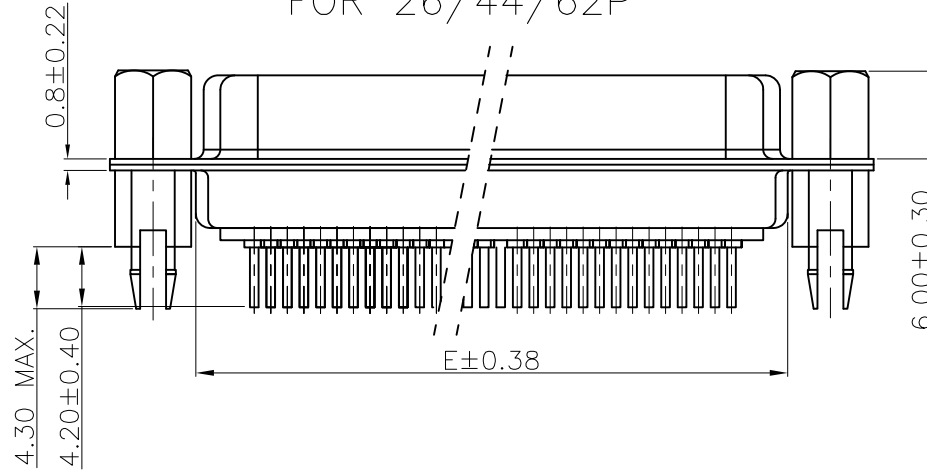
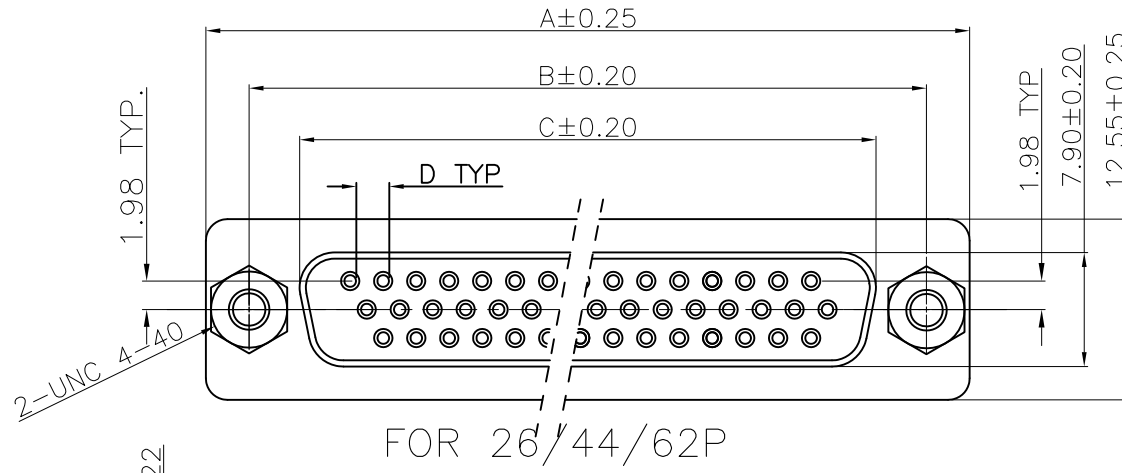
3. PART NUMBER DESCRIPTION: **10090929-S XX X X LF**

- SERIES NO. \_\_\_\_\_
- TYPE: S: SOCKET (FEMALE)
- NUMBER OF CONTACTS: 15: 15-PIN, 26: 26-PIN, 44: 44-PIN, 62: 62-PIN
- LF: ROHS COMPLIANT
- FLANGE MOUNTING OPTION: X: UNC #4-40 CLINCHNUTS, L: M3 CLINCHNUTS
- CONTACT FINISH: 4: FLASH GOLD, 6: 30u" GOLD

POS.	PART NO.	THREAD TYPE
15	10090929-S15*LLF	M3X0.5
26	10090929-S26*LLF	M3X0.5
44	10090929-S44*LLF	M3X0.5
62	10090929-S62*LLF	M3X0.5
15	10090929-S15*XLF	UNC #4-40
26	10090929-S26*XLF	UNC #4-40
44	10090929-S44*XLF	UNC #4-40
62	10090929-S62*XLF	UNC #4-40

POS.	A	B	C	D	E
15	30.81	24.99	16.33	2.29	19.10
26	39.24	33.32	24.66	2.29	27.75
44	53.04	47.04	38.38	2.29	41.30
62	69.32	63.50	54.84	2.41	57.40

mat'l. code				tolerances unless otherwise specified				CUSTOMER COPY		FCI www.fciconnect.com		
ltr	ecn no	dr	date	linear	.X ± 0.38				projection	title		
A	T09-1156	J.H	12/10/09		.XX ± 0.25					H/D D-SUB FEMALE STRAIGHT		
B	T10-0164	J.H	10/19/10		.XXX ± 0.10					product family D-SUB		
				angles	0° ±2°				MM	code		
				dr	JASON HSU	10/19/10	size				TWN	
				enr	JASON HSU	10/19/10	dwg no				sheet	
				chr	GARY HSIEH	10/19/10	scale				1 of 5	
				appd	JOSEPH HSIA	10/19/10	1:1					
sheet index	revision sheet	B 1	B 2	B 3	B 4	B 5						



REMARK:

1. CHARACTERISTICS:

RATED VOLTAGE: 250V  
 RATED CURRENT: 2.5AMP  
 CONTACT RESISTANCE: 25mohms MAX. INITIAL,  
 40mohms MAX. AFTER.  
 INSULATION RESISTANCE: 5000Mohms MIN. at 500V DC  
 DIELECTRIC STRENGTH: 750VRMS  
 OPERATING TEMPERATURE RANGE: -55° C~105° C  
 INSERTION/EXTRACTION FORCE PER CONTACT: 5N Max. /0.2N Min.  
 MATING/UNMATING CYCLES: 200MATINGS MIN FOR GOLD-FLASH  
 500MATINGS MIN FOR 30u" GOLD.

2. MATERIAL:

INSULATORS: THERMOPLASTIC G.F(UL94V-0) BLACK  
 CONTACTS: COPPER ALLOY, GOLD(G/F or 30u") TOP OVER CONTACT  
 AREA, 100u" Min MATTE TIN TOP OVER SOLDER AREA,  
 50u" Min NICKEL UNDER PLATE.  
 SHELL: CARBON STEEL, 100u" Min NICKEL TOP OVER,  
 50u" Min COPPER UNDER PLATE.  
 HARPOON: COPPER ALLOY, 100u" Min MATTE TIN PLATED.  
 NUT: COPPER ALLOY, 50u" Min NICKEL PLATED.

3. PART NUMBER DESCRIPTION: 10090929-S XX X X LF

SERIES NO. \_\_\_\_\_ LF: ROHS COMPLIANT  
 TYPE \_\_\_\_\_ FLANGE MOUNTING OPTION  
 S: SOCKET (FEMALE) V: UNC #4-40 SCREWLOCKS  
 NUMBER OF CONTACTS \_\_\_\_\_ CONTACT FINISH  
 15: 15-PIN 4: FLASH GOLD  
 26: 26-PIN 6: 30u" GOLD  
 44: 44-PIN  
 62: 62-PIN

POS.	A	B	C	D	E
15	30.81	24.99	16.33	2.29	19.10
26	39.24	33.32	24.66	2.29	27.75
44	53.04	47.04	38.38	2.29	41.30
62	69.32	63.50	54.84	2.41	57.40

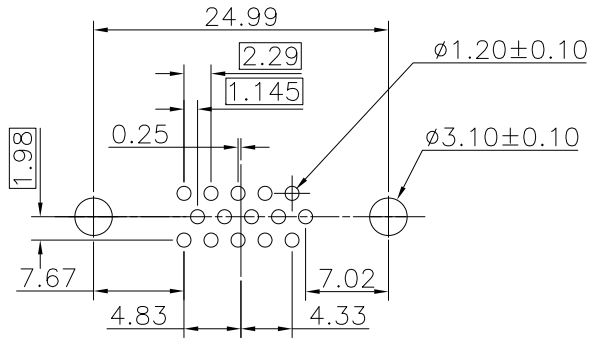
mat'l. code				tolerances unless otherwise specified		CUSTOMER COPY		FCI www.fciconnect.com	
ltr	ecn no	dr	date	linear	.X ± 0.38	projection	title	H/D D-SUB FEMALE STRAIGHT	
B					.XX ± 0.25				
					.XXX ± 0.10				
				angles	0° ±2°	MM	product family	D-SUB	
				dr	JASON HSU 10/19/10			size	Dwg no
				enr	JASON HSU 10/19/10	scale	A4	10090929	
				chr	GARY HSIEH 10/19/10			sheet	2 of 5
				appd	JOSEPH HSIA 10/19/10	1:1			
sheet index	revision sheet								



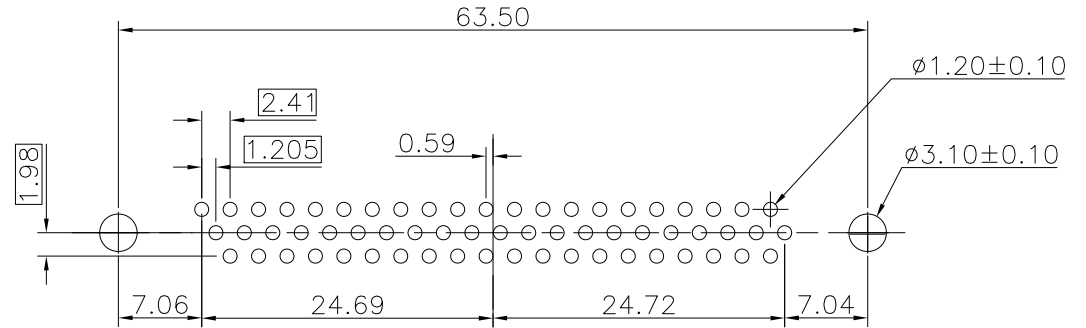
1 | 2

3 |

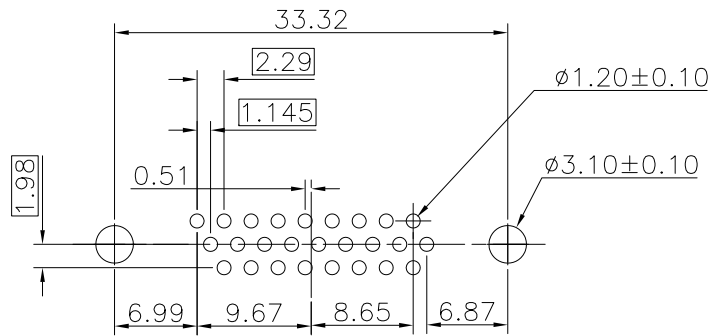
4



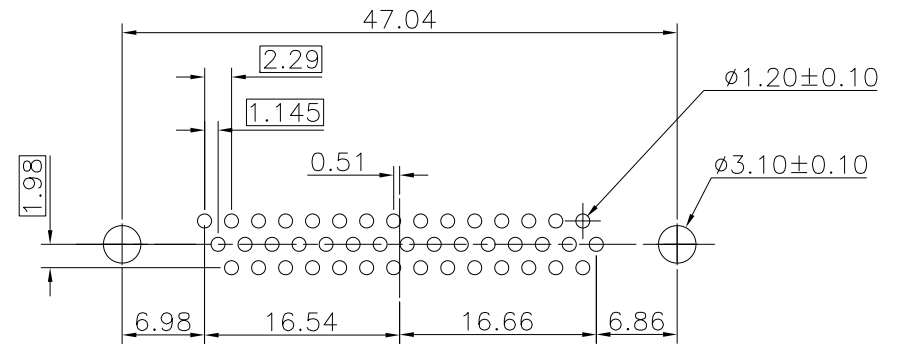
P.C.B LAYOUT(FOR 15P)



P.C.B LAYOUT(FOR 62P)



P.C.B LAYOUT(FOR 26P)



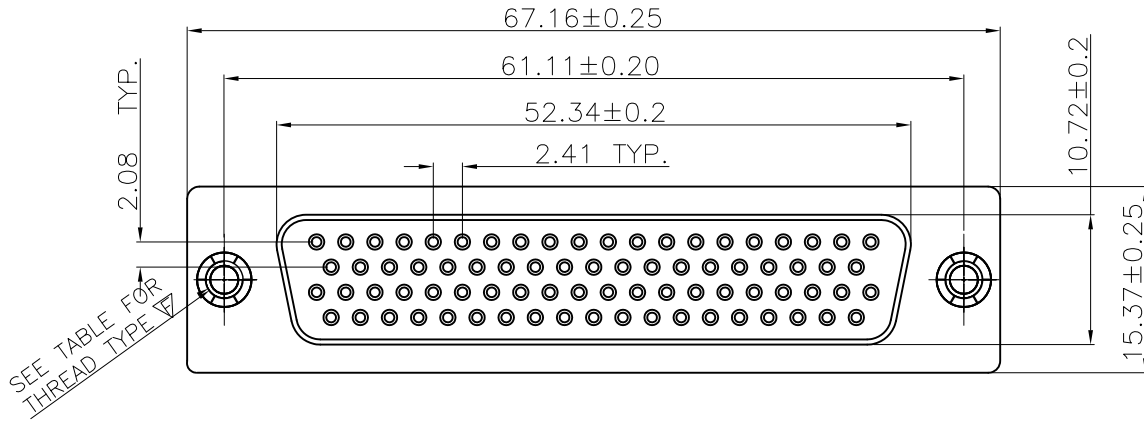
P.C.B LAYOUT(FOR 44P)

mat'l. code				tolerances unless otherwise specified			CUSTOMER COPY		 www.fciconnect.com			
ltr	ecn no	dr	date	linear	.X ± 0.38		projection	title				
B					.XX ± 0.25				H/D D-SUB FEMALE STRAIGHT PCB			
					.XXX ± 0.10				product family		code	
				angles	0° ±2°		MM	D-SUB		TWN		
				dr	JASON HSU	10/19/10	scale	size		sheet		
				enr	JASON HSU	10/19/10		1:1	10090929		3 of 5	
				chr	GARY HSIEH	10/19/10			A4			
				appd	JOSEPH HSIA	10/19/10						
sheet index	revision sheet											

1 | 2

3 |

4



REMARK:

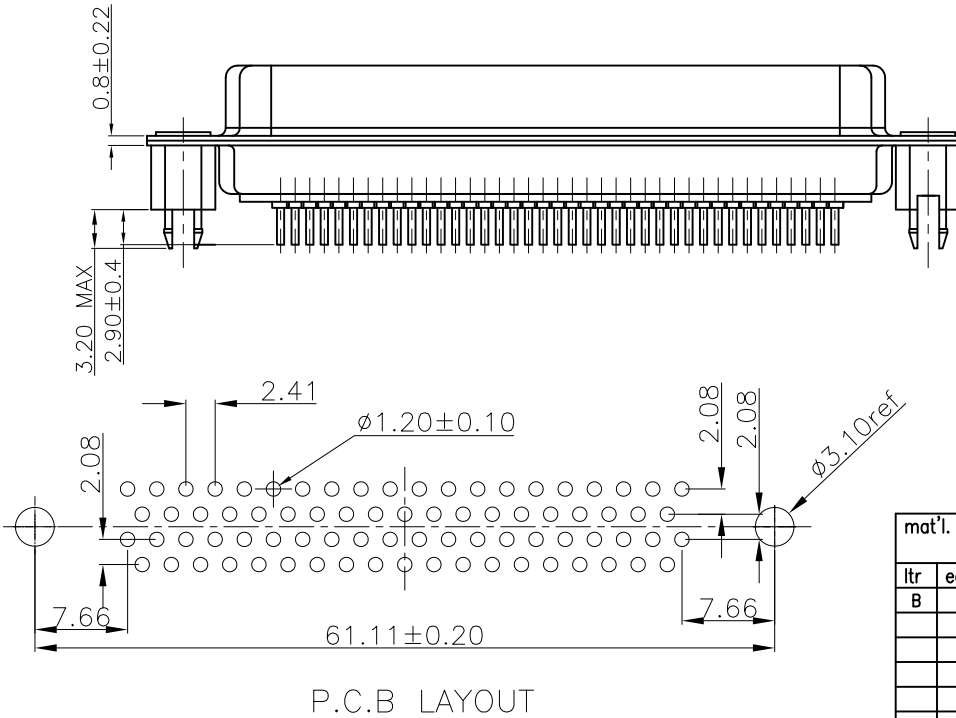
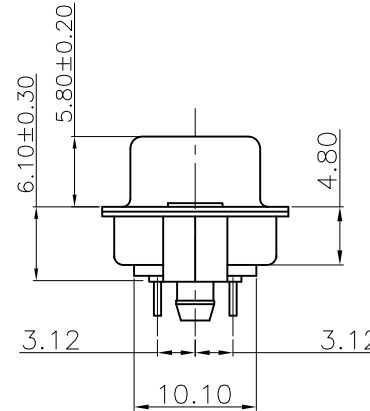
- CHARACTERISTICS:
  - RATED VOLTAGE: 250V
  - RATED CURRENT: 2.5AMP
  - CONTACT RESISTANCE: 35mohms MAX. INITIAL, 50mohms MAX. AFTER.
  - INSULATION RESISTANCE: 5000Mohms MIN. at 500V DC
  - DIELECTRIC STRENGTH: 750VRMS
  - OPERATING TEMPERATURE RANGE: -55° C~105° C
  - INSERTION/EXTRACTION FORCE PER CONTACT: 5N Max./0.2N Min.
  - MATING/UNMATING CYCLES: 200MATINGS MIN FOR GOLD-FLASH, 500MATINGS MIN FOR 30u" GOLD.

2. MATERIAL:

- INSULATORS: THERMOPLASTIC G, F (UL94V-0) BLACK
- CONTACTS: COPPER ALLOY, GOLD(G/F or 30u") TOP OVER CONTACT AREA, 100u" Min MATTE TIN TOP OVER SOLDER AREA, 50u" Min NICKEL UNDER PLATE.
- SHELL: CARBON STEEL, 100u" Min NICKEL TOP OVER, 50u" Min COPPER UNDER PLATE.
- HARPOON: COPPER ALLOY, 100u" Min MATTE TIN PLATED.

3. PART NUMBER DESCRIPTION: **10090929-S XX X X LF**

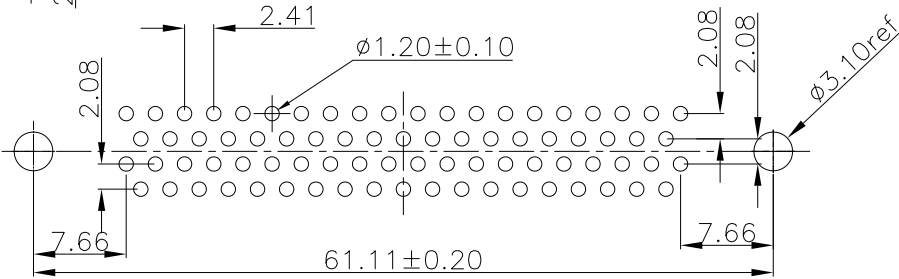
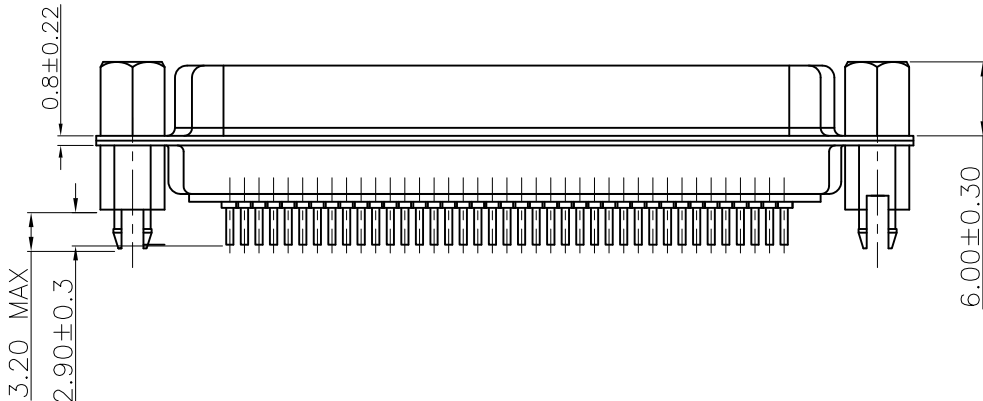
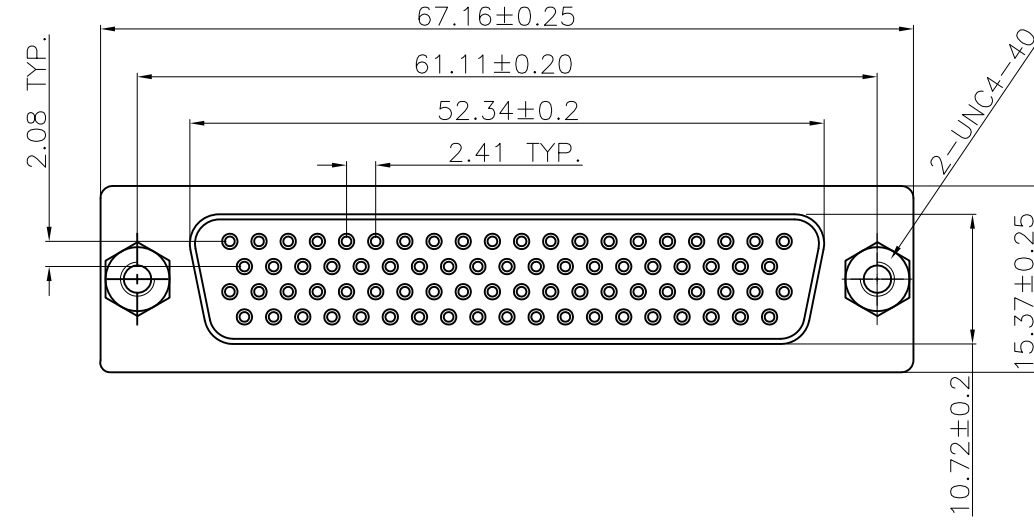
SERIES NO.	S	TYPE	S: SOCKET (FEMALE)	NUMBER OF CONTACTS	78: 78-PIN	LF: ROHS COMPLIANT	FLANGE MOUNTING OPTION	X: UNC #4-40 CLINCHNUTS	L: M3 CLINCHNUTS	CONTACT FINISH	4: FLASH GOLD	6: 30u" GOLD
------------	---	------	--------------------	--------------------	------------	--------------------	------------------------	-------------------------	------------------	----------------	---------------	--------------



P.C.B LAYOUT

POS.	PART NO.	THREAD TYPE
78	10090929-S78*LLF	M3X0.5
78	10090929-S78*XLF	UNC #4-40

mat'l. code				tolerances unless otherwise specified			CUSTOMER COPY		FCI		www.fciconnect.com	
ltr	ecn no	dr	date	linear	.X ± 0.38		projection	title				
B					.XX ± 0.25			H/D D-SUB FEMALE STRAIGHT				
					.XXX ± 0.10			product family D-SUB				
				angles	0° ±2°		MM		size dwg no		code	
				dr	JASON HSU	10/19/10	scale		A4		10090929	TWN
				enr	JASON HSU	10/19/10	1:1					sheet
				chr	GARY HSIEH	10/19/10						4 of 5
				appd	JOSEPH HSIA	10/19/10						
sheet index	revision sheet											



P.C.B LAYOUT

REMARK:

1. CHARACTERISTICS:

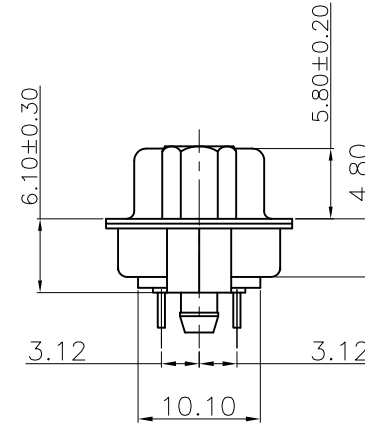
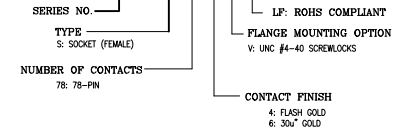
- RATED VOLTAGE: 250V
- RATED CURRENT: 2.5AMP
- CONTACT RESISTANCE: 35mohms MAX. INITIAL, 50mohms MAX. AFTER.
- INSULATION RESISTANCE: 5000Mohms MIN. at 500V DC
- DIELECTRIC STRENGTH: 750VRMS
- OPERATING TEMPERATURE RANGE: -55° C~105° C
- INSERTION/EXTRACTION FORCE PER CONTACT: 5N Max./0.2N Min.
- MATING/UNMATING CYCLES: 200MATINGS MIN FOR GOLD-FLASH 500MATINGS MIN FOR 30u" GOLD.

2. MATERIAL:

- INSULATORS: THERMOPLASTIC G.F(UL94V-0) BLACK
- CONTACTS: COPPER ALLOY, GOLD(G/F or 30u") TOP OVER CONTACT AREA, 100u" Min MATTE TIN TOP OVER SOLDER AREA, 50u" Min NICKEL UNDER PLATE.
- SHELL: CARBON STEEL, 100u" Min NICKEL TOP OVER, 50u" Min COPPER UNDER PLATE.
- HARPOON: COPPER ALLOY, 100u" Min MATTE TIN PLATED.
- NUT: COPPER ALLOY, 50u" Min NICKEL PLATED.

3. PART NUMBER DESCRIPTION:

10090929-S XX X X LF



PART NO.: 10090929-S78\*VLF

mat'l. code				tolerances unless otherwise specified			CUSTOMER COPY		 www.fciconnect.com		
ltr	ecn no	dr	date	linear	.X ± 0.38		projection	title			
B					.XX ± 0.25			H/D D-SUB FEMALE STRAIGHT			
					.XXX ± 0.10						
				angles	0° ±2°						
				dr	JASON HSU	10/19/10	MM		product family	D-SUB	code
				enr	JASON HSU	10/19/10	scale		size	dwg no	TWN
				chr	GARY HSIEH	10/19/10	1:1		A4	10090929	sheet
				appd	JOSEPH HSIA	10/19/10					5 of 5
sheet index	revision sheet										