

**PLEASE CHECK WWW.MOLEX.COM FOR LATEST PART INFORMATION**

**Part Number:** [0026481243](#)  
**Status:** **Active**  
**Description:** 3.96mm (.156") Pitch KK® Header, Breakaway, Vertical, Polarizing Wall, 24 Circuits, Tin (Sn) Plating

**Documents:**

|   |  |
|---|--|
| <a href="#">3D Model</a>                      | <a href="#">Product Specification PS-08-50 (PDF)</a> |
| <a href="#">Packaging Specification (PDF)</a> | <a href="#">RoHS Certificate of Compliance (PDF)</a> |
| <a href="#">Drawing (PDF)</a>                 |  |

**Agency Certification**

|     |         |
|-----|---------|
| CSA | LR19980 |
| UL  | E29179  |

**General**

|                |                       |
|----------------|-----------------------|
| Product Family | PCB Headers           |
| Series         | <a href="#">41681</a> |
| Application    | Wire-to-Board         |
| Product Name   | KK®                   |

**Physical**

|                                |              |
|--------------------------------|--------------|
| Breakaway                      | Yes          |
| Circuits (Loaded)              | 24           |
| Circuits (maximum)             | 24           |
| Color - Resin                  | Black        |
| Durability (mating cycles max) | 25           |
| Flammability                   | 94V-0        |
| Glow-Wire Compliant            | No           |
| Lock to Mating Part            | None         |
| Material - Metal               | Brass        |
| Material - Plating Mating      | Tin          |
| Material - Plating Termination | Tin          |
| Material - Resin               | Polyester    |
| Number of Rows                 | 1            |
| Orientation                    | Vertical     |
| PC Tail Length (in)            | 0.172 In     |
| PC Tail Length (mm)            | 4.37 mm      |
| PCB Locator                    | No           |
| PCB Retention                  | None         |
| PCB Thickness Recommended (in) | 0.062 In     |
| PCB Thickness Recommended (mm) | 1.60 mm      |
| Packaging Type                 | Bag          |
| Pitch - Mating Interface (in)  | 0.156 In     |
| Pitch - Mating Interface (mm)  | 3.96 mm      |
| Plating min: Mating (µin)      | 200          |
| Plating min: Mating (µm)       | 5            |
| Plating min: Termination (µin) | 200          |
| Plating min: Termination (µm)  | 5            |
| Polarized to Mating Part       | No           |
| Polarized to PCB               | No           |
| Shrouded                       | No           |
| Stackable                      | No           |
| Temperature Range - Operating  | 0°C to +75°C |
| Termination Interface: Style   | Through Hole |

**Electrical**



*image - Reference only*

Series

**EU RoHS**

**ELV and RoHS Compliant**  
**REACH SVHC Contains SVHC: No**  
**Halogen-Free Status**  
**Not Reviewed**

**China RoHS**



**Need more information on product environmental compliance?**

Email [productcompliance@molex.com](mailto:productcompliance@molex.com)  
 For a multiple part number RoHS Certificate of Compliance, [click here](#)

Please visit the [Contact Us](#) section for any non-product compliance questions.

**Search Parts in this Series**

[41681Series](#)

**Mates With**

[3069](#) , [2139](#) , [2145](#) , [6442](#) , [7674](#) , [7675](#) , [41695](#) , L ink:41815

Current - Maximum per Contact  
Voltage - Maximum

7A  
250V

**Solder Process Data**

Lead-free Process Capability

Wave Capable (TH only)

**Material Info**

Old Part Number

41681A24A102

**Reference - Drawing Numbers**

Product Specification

PS-08-50

Sales Drawing

SD-41681-001

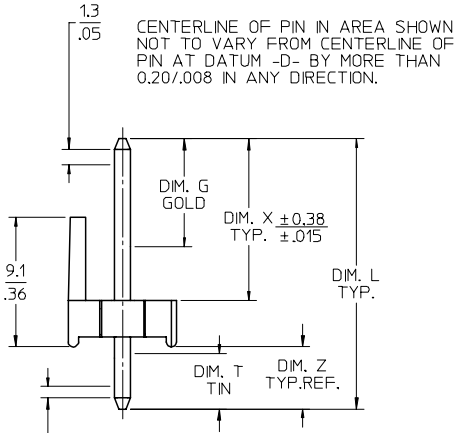
This document was generated on 04/09/2010

**PLEASE CHECK [WWW.MOLEX.COM](http://WWW.MOLEX.COM) FOR LATEST PART INFORMATION**

13 12 11 10 9 8 7 6 5 4 3 2 1

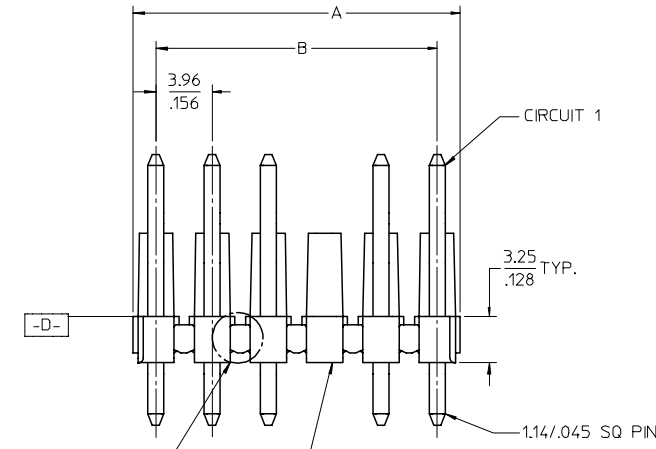


PCB LAYOUT: COMPONENT SIDE  
RECOMMENDED PCB THICKNESS:  
1.57 ± 0.18 / .062 ± .007



CENTERLINE OF PIN IN AREA SHOWN NOT TO VARY FROM CENTERLINE OF PIN AT DATUM -D- BY MORE THAN 0.20/.008 IN ANY DIRECTION.

CENTERLINE OF PIN IN AREA SHOWN NOT TO VARY FROM CENTERLINE OF PIN AT DATUM -D- BY MORE THAN 0.13/.005 IN ANY DIRECTION.

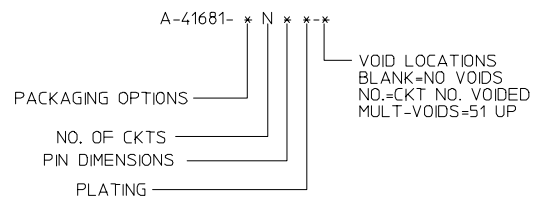


NOTES:  
1. MATERIAL: HEADER: GLASS FILLED POLYESTER, 94V-0, MOLDED BLACK PINS- BRASS

2. FINISH:
- (102) = OVERALL TIN: (0.00508)/.000200 MIN. OVERALL COPPER UNDERCOAT: (0.00254)/.000100 MIN.
  - (208) = SELECT GOLD: (0.00038)/.000015 MIN. OVER SELECT TIN: (0.00254)/.000100 MIN. OVER NICKEL OVERALL: (0.000127)/.000050 MIN.
  - (228) = SELECT GOLD: (0.00076)/.000030 MIN. SELECT TIN: (0.00254)/.000100 MIN. OVER NICKEL OVERALL: (0.00127)/.000050 MIN.
  - (501) = OVERALL GOLD: (0.00051)/.000020 MIN. OVER NICKEL OVERALL: (0.00076)/.000030 MIN.
  - (503) = OVERALL GOLD: (0.00076)/.000030 MIN. OVER NICKEL OVERALL: (0.00127)/.000050 MIN.

\* THE PRIMARY SHIPPING CARTON WILL BE LABELD \*COMPLIANT TO RoHS DIRECTIVE 2002/95/EC AND ELV ANNEX II OF DIRECTIVE 2000/53/EC\*. CARTONS WITHOUT MAY CONTAIN PRODUCT WITH TIN/LEAD PLATINGS.

3. PRODUCT SPECIFICATION: PS-08-50.  
4. PACKAGING: SEE CHART  
5. SOLDERABILITY: PER SMES-152.  
6. PIN PUSH-OUT FORCE: PRIOR TO SOLDERING, A 3 LB. MINIMUM FORCE IN EITHER DIRECTION SHALL BE REQUIRED TO PUSH THE PIN OUT OF THE HEADER.  
7. PARTS ARE STACKABLE END TO END ON 3.96/.156 CENTERS. (SPACING TABS MUST BE REMOVED ON CIRCUIT SIZES 1-23 BEFORE PARTS ARE STACKABLE.)



| CIRCUIT | A                          | B              |
|---------|----------------------------|----------------|
| 2       | 6.78/7.87<br>.267/.310     | 3.96<br>.156   |
| 3       | 10.74/11.84<br>.423/.466   | 7.92<br>.312   |
| 4       | 14.71/15.80<br>.579/.622   | 11.89<br>.468  |
| 5       | 18.67/19.76<br>.735/.778   | 15.85<br>.624  |
| 6       | 22.63/23.72<br>.891/.934   | 19.81<br>.780  |
| 7       | 26.59/27.69<br>1.047/1.090 | 23.77<br>.936  |
| 8       | 30.56/31.65<br>1.203/1.246 | 27.74<br>1.092 |
| 9       | 34.52/35.61<br>1.359/1.402 | 31.70<br>1.248 |
| 10      | 38.48/39.57<br>1.515/1.558 | 35.66<br>1.404 |
| 11      | 42.44/43.54<br>1.671/1.714 | 39.62<br>1.560 |
| 12      | 46.41/47.50<br>1.827/1.870 | 43.59<br>1.716 |
| 13      | 50.37/51.46<br>1.983/2.026 | 47.55<br>1.872 |
| 14      | 54.33/55.42<br>2.139/2.182 | 51.51<br>2.028 |
| 15      | 58.29/59.39<br>2.295/2.338 | 55.47<br>2.184 |
| 16      | 62.26/63.35<br>2.451/2.494 | 59.44<br>2.340 |
| 17      | 66.22/67.31<br>2.607/2.650 | 63.40<br>2.496 |
| 18      | 70.18/71.27<br>2.763/2.806 | 67.36<br>2.652 |
| 19      | 74.14/75.23<br>2.919/2.962 | 71.32<br>2.808 |
| 20      | 78.11/79.20<br>3.075/3.118 | 75.29<br>2.964 |
| 21      | 82.07/83.16<br>3.231/3.274 | 79.25<br>3.120 |
| 22      | 86.03/87.12<br>3.387/3.430 | 83.21<br>3.276 |
| 23      | 89.94/91.08<br>3.541/3.586 | 87.17<br>3.432 |
| 24      | 93.85/95.00<br>3.695/3.740 | 91.14<br>3.588 |

|           |    |
|-----------|----|
| 2-*       | S2 |
| 1         | S2 |
| SHT. REV. |    |

|   |             |
|---|-------------|
| REVISED / REDRAWN<br>E.C. NO. UCP2006-2983<br>DRAWN/PRI. DDER 2006/08/02<br>CHKD: ADERR 2006/08/03<br>APPR: FSM TH 2006/08/04 | DESCRIPTION |
| S2  | REV         |

|                             |  |
|-----------------------------|--|
| QUALITY SYMBOLS<br>=0<br>=0 | GENERAL TOLERANCES (UNLESS SPECIFIED)                |
|                             | mm INCH  |
|                             | 4 PLACES ± --- ± ---                                 |
|                             | 3 PLACES ± --- ± .006                                |
|                             | 2 PLACES ± 0.15 ± .010                               |
|                             | 1 PLACE ± 0.25 ± ---                                 |
|                             | ANGULAR ±1/2°  |
|                             | DRAFT WHERE APPLICABLE MUST REMAIN WITHIN DIMENSIONS |

|                          |                  |                      |                        |
|--------------------------|------------------|----------------------|------------------------|
| DIMENSION STYLE<br>MM/IN | SCALE<br>4:1     | DESIGN UNITS<br>INCH | THIRD ANGLE PROJECTION |
| DRAWN BY<br>SAMIEC       | DATE<br>08/09/85 | CHECKED BY<br>PATEL  | DATE<br>08/09/85       |
| APPROVED BY<br>LENZ      | DATE<br>08/09/85 | MATERIAL NO.         | DOCUMENT NO.           |
| SEE CHART                |                  | SD-41681-001         |                        |

|   |  |
|---|--|
| TITLE<br>KK .156 HEADER ASSEMBLY<br>POLARIZING STRAIGHT<br>2-24 CKTS.   |  |
| MOLEX INCORPORATED  |  |
| SHEET NO.<br>1 OF *   |  |
| THIS DRAWING CONTAINS INFORMATION THAT IS PROPRIETARY TO MOLEX INCORPORATED AND SHOULD NOT BE USED WITHOUT WRITTEN PERMISSION |  |

12 11 10 9 8 7 6 5 4 3 2 1

| ENG. NO: A-41681-ANA102-* |            |                     |       | ENG. NO: A-41681-ANA501-* |            |                     |       | ENG. NO: A-41681-ANC102-* |            |                     |       |
|---------------------------|------------|---------------------|-------|---------------------------|------------|---------------------|-------|---------------------------|------------|---------------------|-------|
| PIN NUMBER                |            | 2161-1(102)         |       | PIN NUMBER                |            | 2161-1(501)         |       | PIN NUMBER                |            | 2161-56(102)        |       |
| PLATING                   |            | 102                 |       | PLATING                   |            | 501                 |       | PLATING                   |            | 102                 |       |
| DIM. L                    |            | (19.05)/.750        |       | DIM. L                    |            | (19.05)/.750        |       | DIM. L                    |            | (17.86)/.703        |       |
| DIM. X                    |            | (11.43)/.450        |       | DIM. X                    |            | (11.43)/.450        |       | DIM. X                    |            | (11.43)/.450        |       |
| DIM. G (GOLD)             |            | N/A                 |       | DIM. G (GOLD)             |            | OVERALL             |       | DIM. G (GOLD)             |            | N/A                 |       |
| DIM. Z                    |            | (4.37)/.172         |       | DIM. Z                    |            | (4.37)/.172         |       | DIM. Z                    |            | (3.18)/.125         |       |
| DIM. T (TIN)              |            | OVERALL             |       | DIM. T (TIN)              |            | N/A                 |       | DIM. T (TIN)              |            | OVERALL             |       |
| PACKAGING                 |            | PK-41681-001 (BULK) |       | PACKAGING                 |            | PK-41681-001 (BULK) |       | PACKAGING                 |            | PK-41681-001 (BULK) |       |
| CKTS                      | EDP NO.    | ENG. NO.            | VOIDS | CKTS                      | EDP NO.    | ENG. NO.            | VOIDS | CKTS                      | EDP NO.    | ENG. NO.            | VOIDS |
| 02                        | 26-48-1023 | A-41681-A2A102      |       | 02                        | 26-48-2023 | A-41681-A2A501      |       | 02                        | 26-48-7025 | A-41681-A2C102      |       |
| 03                        | 26-48-1033 | A-41681-A3A102      |       | 03                        | 26-48-2033 | A-41681-A3A501      |       | 03                        | 26-48-7035 | A-41681-A3C102      |       |
| 04                        | 26-48-1043 | A-41681-A4A102      |       | 04                        | 26-48-2043 | A-41681-A4A501      |       | 04                        | 26-48-7045 | A-41681-A4C102      |       |
| 05                        | 26-48-1053 | A-41681-A5A102      |       | 05                        | 26-48-2053 | A-41681-A5A501      |       | 05                        | 26-48-7055 | A-41681-A5C102      |       |
| 06                        | 26-48-1063 | A-41681-A6A102      |       | 06                        | 26-48-2063 | A-41681-A6A501      |       | 06                        | 26-48-7065 | A-41681-A6C102      |       |
| 07                        | 26-48-1073 | A-41681-A7A102      |       | 07                        | 26-48-2073 | A-41681-A7A501      |       | 07                        | 26-48-7075 | A-41681-A7C102      |       |
| 08                        | 26-48-1083 | A-41681-A8A102      |       | 08                        | 26-48-2083 | A-41681-A8A501      |       | 08                        | 26-48-7085 | A-41681-A8C102      |       |
| 09                        | 26-48-1093 | A-41681-A9A102      |       | 09                        | 26-48-2093 | A-41681-A9A501      |       | 09                        | 26-48-7095 | A-41681-A9C102      |       |
| 10                        | 26-48-1103 | A-41681-A10A102     |       | 10                        | 26-48-2103 | A-41681-A10A501     |       | 10                        | 26-48-7105 | A-41681-A10C102     |       |
| 11                        | 26-48-1113 | A-41681-A11A102     |       | 11                        | 26-48-2113 | A-41681-A11A501     |       | 11                        | 26-48-7115 | A-41681-A11C102     |       |
| 12                        | 26-48-1123 | A-41681-A12A102     |       | 12                        | 26-48-2123 | A-41681-A12A501     |       | 12                        | 26-48-7125 | A-41681-A12C102     |       |
| 13                        | 26-48-1133 | A-41681-A13A102     |       | 13                        | 26-48-2133 | A-41681-A13A501     |       | 13                        | 26-48-7135 | A-41681-A13C102     |       |
| 14                        | 26-48-1143 | A-41681-A14A102     |       | 14                        | 26-48-2143 | A-41681-A14A501     |       | 14                        | 26-48-7145 | A-41681-A14C102     |       |
| 15                        | 26-48-1153 | A-41681-A15A102     |       | 15                        | 26-48-2153 | A-41681-A15A501     |       | 15                        | 26-48-7155 | A-41681-A15C102     |       |
| 16                        | 26-48-1163 | A-41681-A16A102     |       | 16                        | 26-48-2163 | A-41681-A16A501     |       | 16                        | 26-48-7165 | A-41681-A16C102     |       |
| 17                        | 26-48-1173 | A-41681-A17A102     |       | 17                        | 26-48-2173 | A-41681-A17A501     |       | 17                        | 26-48-7175 | A-41681-A17C102     |       |
| 18                        | 26-48-1183 | A-41681-A18A102     |       | 18                        | 26-48-2183 | A-41681-A18A501     |       | 18                        | 26-48-7185 | A-41681-A18C102     |       |
| 19                        | 26-48-1193 | A-41681-A19A102     |       | 19                        | 26-48-2193 | A-41681-A19A501     |       | 19                        | 26-48-7195 | A-41681-A19C102     |       |
| 20                        | 26-48-1203 | A-41681-A20A102     |       | 20                        | 26-48-2203 | A-41681-A20A501     |       | 20                        | 26-48-7205 | A-41681-A20C102     |       |
| 21                        | 26-48-1213 | A-41681-A21A102     |       | 21                        | 26-48-2213 | A-41681-A21A501     |       | 21                        | 26-48-7215 | A-41681-A21C102     |       |
| 22                        | 26-48-1223 | A-41681-A22A102     |       | 22                        | 26-48-2223 | A-41681-A22A501     |       | 22                        | 26-48-7225 | A-41681-A22C102     |       |
| 23                        | 26-48-1233 | A-41681-A23A102     |       | 23                        | 26-48-2233 | A-41681-A23A501     |       | 23                        | 26-48-7235 | A-41681-A23C102     |       |
| 24                        | 26-48-1243 | A-41681-A24A102     |       | 24                        | 26-48-2243 | A-41681-A24A501     |       | 24                        | 26-48-7245 | A-41681-A24C102     |       |
| 13                        | 26-49-6137 | A-41681-A13A102-12  | 12    |                           |            |                     |       |                           |            |                     |       |
| 17                        | 26-49-6177 | A-41681-A17A102-2   | 2     |                           |            |                     |       |                           |            |                     |       |
| 20                        | 26-49-6207 | A-41681-A20A102-17  | 17    |                           |            |                     |       |                           |            |                     |       |

|                         |      |                              |                    |  |                  |
|-------------------------|------|------------------------------|--------------------|--|------------------|
| <b>S2</b>               | REV: | <u>ECR/ECN INFORMATION</u>   | <u>TITLE:</u>      | <b>KK .156 HEADER ASSEMBLY<br/>POLARIZING STRAIGHT<br/>2-24 CKTS</b> | <u>SHEET No.</u> |
|                         |      | EC No: <b>UCP2006-2983</b>   |                    |  | <b>- 2 -</b>     |
|                         |      | DATE: <b>2006-06-13</b>      |                    |  |                  |
| <u>DOCUMENT NUMBER:</u> |      | <u>CREATED / REVISED BY:</u> | <u>CHECKED BY:</u> | <u>APPROVED BY:</u>  |                  |
| <b>SD-41681-001</b>     |      | <b>PRIDDER</b>               | <b>ADERR</b>       | <b>FSMITH</b>  |                  |

| ENG. NO: A-41681-ANC503* |            |                     |       | ENG. NO: A-41681-BNA208* |            |                     |       | ENG. NO: A-41681-BNA228* |            |                     |       |
|--------------------------|------------|---------------------|-------|--------------------------|------------|---------------------|-------|--------------------------|------------|---------------------|-------|
| PIN NUMBER               |            | 2161-56(503)        |       | PIN NUMBER               |            | 43294-0236          |       | PIN NUMBER               |            | 43294-0237          |       |
| PLATING                  |            | 503                 |       | PLATING                  |            | 208                 |       | PLATING                  |            | 228                 |       |
| DIM. L                   |            | (17.86)/.703        |       | DIM. L                   |            | (19.05)/.750        |       | DIM. L                   |            | (19.05)/.750        |       |
| DIM. X                   |            | (11.43)/.450        |       | DIM. X                   |            | (11.43)/.450        |       | DIM. X                   |            | (11.43)/.450        |       |
| DIM. G (GOLD)            |            | OVERALL             |       | DIM. G (GOLD)            |            | (6.86)/.270         |       | DIM. G (GOLD)            |            | (6.86)/.270         |       |
| DIM. Z                   |            | (3.18)/.125         |       | DIM. Z                   |            | (4.37)/.172         |       | DIM. Z                   |            | (4.37)/.172         |       |
| DIM. T (TIN)             |            | N/A                 |       | DIM. T (TIN)             |            | (4.06)/.160         |       | DIM. T (TIN)             |            | (4.06)/.160         |       |
| PACKAGING                |            | PK-41681-001 (BULK) |       | PACKAGING                |            | PK-41681-001 (BULK) |       | PACKAGING                |            | PK-41681-001 (BULK) |       |
| CKTS                     | EDP NO.    | ENG. NO.            | VOIDS | CKTS                     | EDP NO.    | ENG. NO.            | VOIDS | CKTS                     | EDP NO.    | ENG. NO.            | VOIDS |
| 02                       | 26-48-7028 | A-41681-A2C503      |       | 02                       | 41681-0001 | A-41681-B02A208     |       | 02                       | 41681-0024 | A-41681-B02A228     |       |
| 03                       | 26-48-7038 | A-41681-A3C503      |       | 03                       | 41681-0002 | A-41681-B03A208     |       | 03                       | 41681-0025 | A-41681-B03A228     |       |
| 04                       | 26-48-7048 | A-41681-A4C503      |       | 04                       | 41681-0003 | A-41681-B04A208     |       | 04                       | 41681-0026 | A-41681-B04A228     |       |
| 05                       | 26-48-7058 | A-41681-A5C503      |       | 05                       | 41681-0004 | A-41681-B05A208     |       | 05                       | 41681-0027 | A-41681-B05A228     |       |
| 06                       | 26-48-7068 | A-41681-A6C503      |       | 06                       | 41681-0005 | A-41681-B06A208     |       | 06                       | 41681-0028 | A-41681-B06A228     |       |
| 07                       | 26-48-7078 | A-41681-A7C503      |       | 07                       | 41681-0006 | A-41681-B07A208     |       | 07                       | 41681-0029 | A-41681-B07A228     |       |
| 08                       | 26-48-7088 | A-41681-A8C503      |       | 08                       | 41681-0007 | A-41681-B08A208     |       | 08                       | 41681-0030 | A-41681-B08A228     |       |
| 09                       | 26-48-7098 | A-41681-A9C503      |       | 09                       | 41681-0008 | A-41681-B09A208     |       | 09                       | 41681-0031 | A-41681-B09A228     |       |
| 10                       | 26-48-7108 | A-41681-A10C503     |       | 10                       | 41681-0009 | A-41681-B10A208     |       | 10                       | 41681-0032 | A-41681-B10A228     |       |
| 11                       | 26-48-7118 | A-41681-A11C503     |       | 11                       | 41681-0010 | A-41681-B11A208     |       | 11                       | 41681-0033 | A-41681-B11A228     |       |
| 12                       | 26-48-7128 | A-41681-A12C503     |       | 12                       | 41681-0011 | A-41681-B12A208     |       | 12                       | 41681-0034 | A-41681-B12A228     |       |
| 13                       | 26-48-7138 | A-41681-A13C503     |       | 13                       | 41681-0012 | A-41681-B13A208     |       | 13                       | 41681-0035 | A-41681-B13A228     |       |
| 14                       | 26-48-7148 | A-41681-A14C503     |       | 14                       | 41681-0013 | A-41681-B14A208     |       | 14                       | 41681-0036 | A-41681-B14A228     |       |
| 15                       | 26-48-7158 | A-41681-A15C503     |       | 15                       | 41681-0014 | A-41681-B15A208     |       | 15                       | 41681-0037 | A-41681-B15A228     |       |
| 16                       | 26-48-7168 | A-41681-A16C503     |       | 16                       | 41681-0015 | A-41681-B16A208     |       | 16                       | 41681-0038 | A-41681-B16A228     |       |
| 17                       | 26-48-7178 | A-41681-A17C503     |       | 17                       | 41681-0016 | A-41681-B17A208     |       | 17                       | 41681-0039 | A-41681-B17A228     |       |
| 18                       | 26-48-7188 | A-41681-A18C503     |       | 18                       | 41681-0017 | A-41681-B18A208     |       | 18                       | 41681-0040 | A-41681-B18A228     |       |
| 19                       | 26-48-7198 | A-41681-A19C503     |       | 19                       | 41681-0018 | A-41681-B19A208     |       | 19                       | 41681-0041 | A-41681-B19A228     |       |
| 20                       | 26-48-7208 | A-41681-A20C503     |       | 20                       | 41681-0019 | A-41681-B20A208     |       | 20                       | 41681-0042 | A-41681-B20A228     |       |
| 21                       | 26-48-7218 | A-41681-A21C503     |       | 21                       | 41681-0020 | A-41681-B21A208     |       | 21                       | 41681-0043 | A-41681-B21A228     |       |
| 22                       | 26-48-7228 | A-41681-A22C503     |       | 22                       | 41681-0021 | A-41681-B22A208     |       | 22                       | 41681-0044 | A-41681-B22A228     |       |
| 23                       | 26-48-7238 | A-41681-A23C503     |       | 23                       | 41681-0022 | A-41681-B23A208     |       | 23                       | 41681-0045 | A-41681-B23A228     |       |
| 24                       | 26-48-7248 | A-41681-A24C503     |       | 24                       | 41681-0023 | A-41681-B24A208     |       | 24                       | 41681-0046 | A-41681-B24A228     |       |
|                          |            |                     |       |                          |            |                     |       |                          |            |                     |       |
|                          |            |                     |       |                          |            |                     |       |                          |            |                     |       |
|                          |            |                     |       |                          |            |                     |       |                          |            |                     |       |
|                          |            |                     |       |                          |            |                     |       |                          |            |                     |       |

|                         |      |                              |                     |  |                  |
|-------------------------|------|------------------------------|---------------------|--|------------------|
| <b>S2</b>               | REV: | <u>ECR/ECN INFORMATION</u>   | <u>TITLE:</u>       | <b>KK .156 HEADER ASSEMBLY<br/>POLARIZING STRAIGHT<br/>2-24 CKTS</b> | <u>SHEET No.</u> |
|                         |      | EC No: <b>UCP2006-2983</b>   |                     |  | <b>- 3 -</b>     |
|                         |      | DATE: <b>2006-06-13</b>      |                     |  |                  |
| <u>DOCUMENT NUMBER:</u> |      | <u>CREATED / REVISED BY:</u> |                     | <u>CHECKED BY:</u>   |                  |
| <b>SD-41681-001</b>     |      | <b>PRIDDER</b>               |                     | <b>ADERR</b>   |                  |
|                         |      |                              | <u>APPROVED BY:</u> |  |                  |
|                         |      |                              | <b>FSMITH</b>       |  |                  |

