

PLEASE CHECK WWW.MOLEX.COM FOR LATEST PART INFORMATION

Part Number: [0702461401](#)
Status: **Active**
Overview: [cgrid_sl_products](#)
Description: 2.54mm (.100") Pitch C-Grid® Header, Low Profile, Dual Row, Vertical, Shrouded, 14 Circuits, 0.38µm (15µ") Gold (Au) Selective Plating, Tin (Sn) PC Tail Plating

Documents:

[3D Model](#) [RoHS Certificate of Compliance \(PDF\)](#)
[Drawing \(PDF\)](#)

Agency Certification

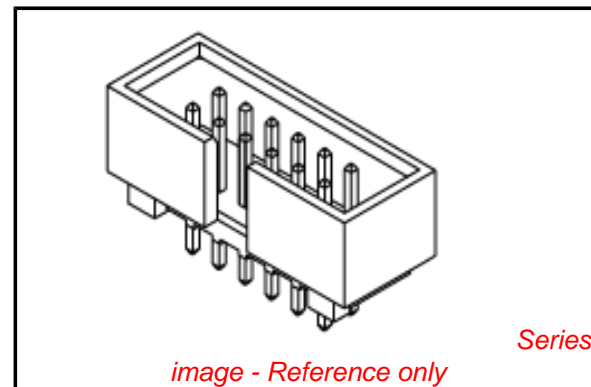
CSA LR19980
 UL E29179

General

Product Family PCB Headers
 Series [70246](#)
 Application Wire-to-Board
 Overview [cgrid_sl_products](#)
 Product Name C-Grid®

Physical

Breakaway No
 Circuits (Loaded) 14
 Circuits (maximum) 14
 First Mate / Last Break No
 Flammability 94V-0
 Glow-Wire Compliant No
 Guide to Mating Part No
 Keying to Mating Part None
 Lock to Mating Part None
 Material - Plating Mating Gold
 Material - Plating Termination Tin
 Number of Rows 2
 Orientation Vertical
 PC Tail Length (in) 0.135 In
 PC Tail Length (mm) 3.43 mm
 PCB Locator No
 PCB Retention None
 PCB Thickness Recommended (in) 0.062 In
 PCB Thickness Recommended (mm) 1.60 mm
 Packaging Type Tray
 Pitch - Mating Interface (in) 0.100 In
 Pitch - Mating Interface (mm) 2.54 mm
 Pitch - Term. Interface (in) 0.100 In
 Pitch - Term. Interface (mm) 2.54 mm
 Plating min: Mating (µin) 15.2
 Plating min: Mating (µm) 0.38
 Plating min: Termination (µin) 75.2
 Plating min: Termination (µm) 1.88
 Polarized to Mating Part Center Slot
 Polarized to PCB No
 Shrouded Fully
 Stackable No
 Surface Mount Compatible (SMC) No
 Temperature Range - Operating -55°C to +120°C



EU RoHS

ELV and RoHS Compliant
REACH SVHC Contains SVHC: No
Halogen-Free Status

China RoHS



Not Halogen-Free
Need more information on product environmental compliance?

Email productcompliance@molex.com
 For a multiple part number RoHS Certificate of Compliance, [click here](#)

Please visit the [Contact Us](#) section for any non-product compliance questions.

Search Parts in this Series

[70246Series](#)

Mates With

[70450 SL™](#) Crimp Housing, [70058 SL™](#) Crimp Terminal

Termination Interface: Style

Through Hole

Electrical

Current - Maximum per Contact

2.5A

Voltage - Maximum

250V DC

Solder Process Data

Duration at Max. Process Temperature (seconds)

10

Lead-free Process Capability

Wave Capable (TH only)

Max. Cycles at Max. Process Temperature

1

Process Temperature max. C

265

Material Info

Reference - Drawing Numbers

Packaging Specification

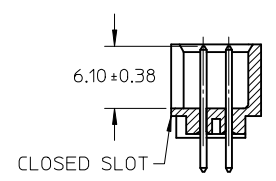
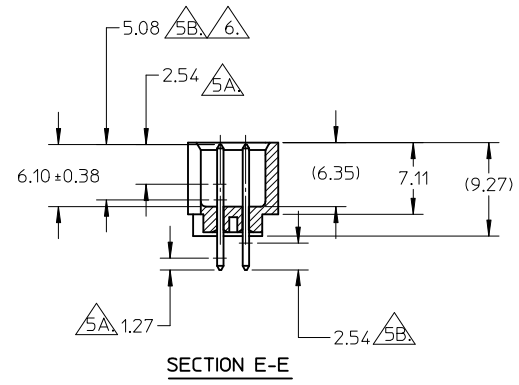
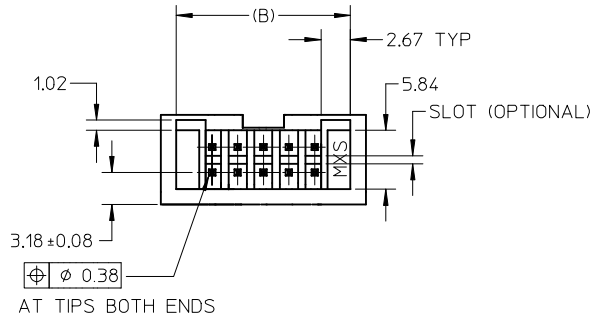
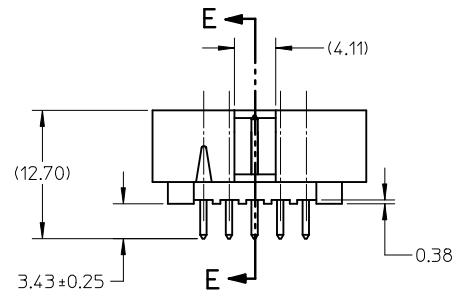
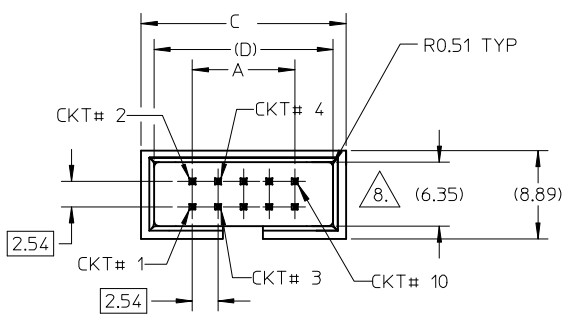
PK-87835-001

Sales Drawing

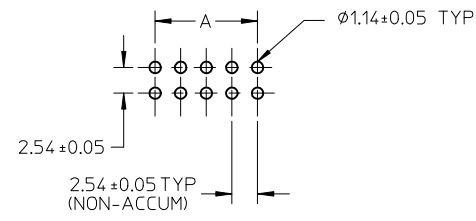
SDA-70246-**-20-25,39

This document was generated on 05/25/2010

PLEASE CHECK WWW.MOLEX.COM FOR LATEST PART INFORMATION



MOLEX IRELAND PRODUCTION ONLY
(OPTION)



RECOMMENDED PCB HOLE LAYOUT

NOTES:

1. PIN PUSHOUT FORCE (.9072KG)/2LBS MIN.
2. PIN SOLDERABILITY PER MOLEX SPEC. ES-152.
3. PRODUCT SPEC: PS-70246 APPLIES.
4. WAFER TO BE FLAT WITHIN .003 MM/MM.
5. DIMENSIONS FOR PLATING LOCATION:
 - 5A MEASURE POINT FOR THICKNESS
 - 5B MINIMUM COVERAGE
 - 6. GOLD END OF PIN UNLESS OVERALL PLATED.
7. FINISH:
 - 571 : 15 MICRO INCHES MIN GOLD PLATE ON CONTACT AND 75 MICRO INCHES MIN TIN PLATE ON SOLDER TAIL BOTH OVER 50 MICRO INCHES MIN NICKEL OVERALL.
 - 574 : 30 MICRO INCHES MIN GOLD PLATE ON CONTACT AND 75 MICRO INCHES MIN TIN PLATE ON SOLDER TAIL BOTH OVER 50 MICRO INCHES MIN NICKEL OVERALL.
 - 544 : 5 MICRO INCHES MIN GOLD PLATE ON CONTACT AND 75 MICRO INCHES MIN TIN PLATE ON SOLDER TAIL BOTH OVER 50 MICRO INCHES MIN NICKEL OVERALL.
 - 573 : 20 MICRO INCHES MIN GOLD PLATE ON CONTACT AND 100 MICRO INCHES MIN TIN PLATE ON SOLDER TAIL BOTH OVER 50 MICRO INCHES MIN NICKEL OVERALL.
8. DIM AT THE CENTRE OF THE SHROUDED WALL SHALL BE 5.91MM MIN. THIS SPEC IS VALID FOR ALL CKT SIZE.
9. MATERIAL:
 - HSG: GLASS FILLED PBT, UL94V-0, COLOUR BLACK
 - PIN: 0.64MM SQ. PIN PHOSPHOR BRONZE.

| | | | | | | |
|-------------------------------------------------------------------------------------------------------------------------------------------------|-----------------|-----------------------------------------------------------------------------------------------------------------------------|---------------------------------------------------------------------------------------------------------------------------------------------------------------------|------------------|------------------------------------------------------------|------------------------|
| CHANGES TO VOID CKT FOR P/N(70246-1003) EC NO: S2010-0052 DRWN: YMCHONG 2009/07/24 CHKD: ATSEE 2009/07/28 APPR: MLONG 2009/07/29 | QUALITY SYMBOLS | GENERAL TOLERANCES (UNLESS SPECIFIED) | DIMENSION STYLE | SCALE | DESIGN UNITS | THIRD ANGLE PROJECTION |
| | ▼=0 C=0 | mm INCH 4 PLACES ± --- ± --- 3 PLACES ± --- ± --- 2 PLACES ± 0.20 ± --- 1 PLACE ± --- ± --- ANGULAR ± 3 ° | MM ONLY | NTS | METRIC | |
| | DESCRIPTION | DRAFT WHERE APPLICABLE MUST REMAIN WITHIN DIMENSIONS | DRAWN BY: JENNIFER CHECKED BY: RWONG APPROVED BY: ALANB | DATE: 1987/09/18 | TITLE: C-GRID, SHROUDED HEADER (SLOTTED W/O STANDOFFS) | |
| | REV | | MATERIAL NO. SEE TABLE SIZE: A3 THIS DRAWING CONTAINS INFORMATION THAT IS PROPRIETARY TO MOLEX INCORPORATED AND SHOULD NOT BE USED WITHOUT WRITTEN PERMISSION | DATE: 1987/09/18 | MOLEX INCORPORATED DOCUMENT NO. SDA-70246-**20-25,39-41 | SHEET NO. 1 OF 2 |

| | 10 | 9 | 8 | 7 | 6 | 5 | 4 | 3 | 2 | 1 |
|---|-------------|----------|----------|-------|-------|-------|-------|--------------------------------------|---|---|
| | PART NUMBER | CKT SIZE | VOID CKT | DIM A | DIM B | DIM C | DIM D | VOID CKT, ONLY APPLY TO PLATING CODE | | |
| F | 70246-08** | 08 | - | 7.62 | 14.73 | 17.78 | 15.24 | - | | |
| | 70246-10** | 10 | - | 10.16 | 17.27 | 20.32 | 17.78 | - | | |
| | 70246-12** | 12 | - | 12.70 | 19.81 | 22.86 | 20.32 | - | | |
| | 70246-14** | 14 | - | 15.24 | 22.35 | 25.40 | 22.86 | - | | |
| | 70246-16** | 16 | - | 17.78 | 24.89 | 27.94 | 25.40 | - | | |
| | 70246-20** | 20 | - | 22.86 | 29.97 | 33.02 | 30.48 | - | | |
| | 70246-24** | 24 | - | 27.94 | 35.05 | 38.10 | 35.56 | - | | |
| | 70246-26** | 26 | - | 30.48 | 37.59 | 40.64 | 38.10 | - | | |
| E | 70246-30** | 30 | - | 35.56 | 42.67 | 45.72 | 43.18 | - | | |
| | 70246-34** | 34 | - | 40.64 | 47.75 | 50.80 | 48.26 | - | | |
| | 70246-40** | 40 | - | 48.26 | 55.37 | 58.42 | 55.88 | - | | |
| | 70246-44** | 44 | - | 53.34 | 60.45 | 63.50 | 60.96 | - | | |
| | 70246-50** | 50 | - | 60.96 | 68.07 | 71.12 | 68.58 | - | | |
| | 70246-56** | 56 | - | 68.58 | 75.69 | 78.74 | 76.20 | - | | |
| | 70246-60** | 60 | - | 73.66 | 80.77 | 83.82 | 81.28 | - | | |
| | 70246-64** | 64 | - | 78.74 | 85.85 | 88.90 | 86.36 | - | | |
| D | 70246-72** | 72 | - | 88.90 | 96.01 | 99.06 | 96.52 | - | | |
| | 70246-25** | 26 | 26 | 30.48 | 37.59 | 40.64 | 38.10 | - | | |
| | 70246-1003 | 10 | 10 | 10.16 | 17.27 | 20.32 | 17.78 | 571 | | |

LEGEND:

70246 - * * * * *

CKT SIZE

PLATING OPT.

SEE TABLE FOR DETAIL

| △ PART NUMBER | PLATING OPTION |
|---------------|----------------|
| 70246-**-01 | 571 |
| 70246-**-02 | 574 |
| 70246-**-04 | 544 |
| 70246-**-12 | 573 |

| | | | | | | | | | |
|--------------------------------------------------------------------------------------------------------------------------------------------|-----------------|----------------------------------------------------------------------------------------------|--------------------------------------------|-------------------------------------------------------------------------------------------------------------------------------|--------------|------------------------|--|--|--|
| CHANGES TO VOID CKT FOR P/N(70246-1003) EC NO: S2010-0052 DRWN: YMCHEONG 2009/07/24 CHKD: ATSEE 2009/07/28 APPR: MLONG 2009/07/29 | QUALITY SYMBOLS | GENERAL TOLERANCES (UNLESS SPECIFIED) | DIMENSION STYLE | SCALE | DESIGN UNITS | THIRD ANGLE PROJECTION | | | |
| | ▽=0 ∇=0 | mm INCH | MM ONLY | NTS | METRIC | | | | |
| | | 4 PLACES ± --- ± --- 3 PLACES ± --- ± --- 2 PLACES ± 0.20 ± --- 1 PLACE ± --- ± --- | DRAWN BY DATE JENNIFER 1987/09/18 | TITLE C-GRID, SHROUDED HEADER (SLOTTED W/O STANDOFFS) | | | | | |
| | | ANGULAR ± 3 ° | CHECKED BY DATE RWONG 1987/09/18 | APPROVED BY DATE ALANB 1987/09/18 | | | | | |
| | | DRAFT WHERE APPLICABLE MUST REMAIN WITHIN DIMENSIONS | MATERIAL NO. | DOCUMENT NO. | | SHEET NO. | | | |
| | | | SEE TABLE | SDA-70246-**-20-25,39-41 | | 2 OF 2 | | | |
| | | | SIZE A3 | THIS DRAWING CONTAINS INFORMATION THAT IS PROPRIETARY TO MOLEX INCORPORATED AND SHOULD NOT BE USED WITHOUT WRITTEN PERMISSION | | | | | |