

PLEASE CHECK WWW.MOLEX.COM FOR LATEST PART INFORMATION

Part Number: [0743002157](#)
Status: **Active**
Overview: [hdm](#)
Description: 2.00mm (.079") Pitch HDM® Board-to-Board Daughtercard Receptacle, Vertical, Signal Module, with Guide, 72 Circuits, Mounted Height 17.00mm (.669"), Press-Fit Pin Length 3.50mm (.138")

Documents:

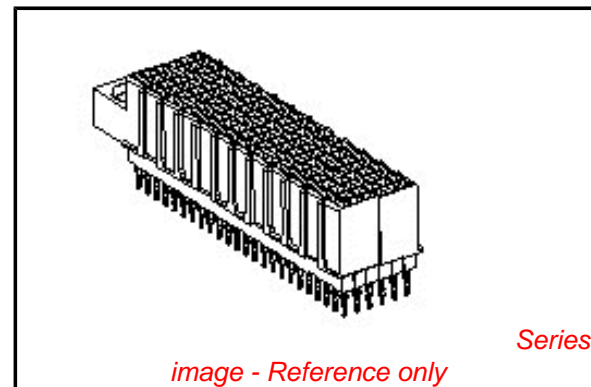
[3D Model](#) [Product Specification PS-73780-999 \(PDF\)](#)
[Drawing \(PDF\)](#) [RoHS Certificate of Compliance \(PDF\)](#)

General

Product Family Backplane Connectors
 Series [74300](#)
 Application Daughtercard, Mezzanine
 Component Type PCB Receptacle
 Overview [hdm](#)
 Product Name HDM®
 Style N/A

Physical

Circuits (Loaded) 72
 Circuits (maximum) 72
 Color - Resin Black
 Durability (mating cycles max) 250
 First Mate / Last Break No
 Guide to Mating Part Yes
 Keying to Mating Part None
 Material - Metal Copper-Nickel-Tin
 Material - Plating Mating Gold
 Material - Plating Termination Tin-Lead
 Material - Resin High Temperature Thermoplastic
 Number of Columns 12
 Number of Pairs Open Pin Field
 Number of Rows 6
 Orientation Vertical
 PC Tail Length (in) 0.138 In
 PC Tail Length (mm) 3.50 mm
 PCB Locator No
 PCB Retention None
 PCB Thickness Recommended (in) 0.063 In
 PCB Thickness Recommended (mm) 1.60 mm
 Packaging Type Tube
 Pitch - Mating Interface (in) 0.079 In
 Pitch - Mating Interface (mm) 2.00 mm
 Pitch - Term. Interface (in) 0.079 In
 Pitch - Term. Interface (mm) 2.00 mm
 Plating min: Mating (µin) 30
 Plating min: Mating (µm) 0.76
 Plating min: Termination (µin) 30
 Plating min: Termination (µm) .88
 Polarized to PCB No
 Stackable Yes
 Surface Mount Compatible (SMC) Yes
 Temperature Range - Operating -55°C to +105°C
 Termination Interface: Style Through Hole - Compliant Pin



EU RoHS

RoHS Compliant by Exemption
REACH SVHC
Contains SVHC: No
Halogen-Free
Status
Not Reviewed

China RoHS



Need more information on product environmental compliance?

Email productcompliance@molex.com
 For a multiple part number RoHS Certificate of Compliance, [click here](#)

Please visit the [Contact Us](#) section for any non-product compliance questions.

Search Parts in this Series

[74300Series](#)

Mates With

HDM® Board-to-Board Backplane Header
[73642](#) , [73643](#) , [73644](#) , [74349](#) , [74428](#) ,
[73769](#) , [73781](#) , [73770](#) , [73782](#) , [73783](#) ,
[73771](#)

Electrical

Current - Maximum per Contact	1A
Data Rate	1.0 Gbps
Real Signals (per 25mm)	76
Shielded	Yes
Voltage - Maximum	250V AC

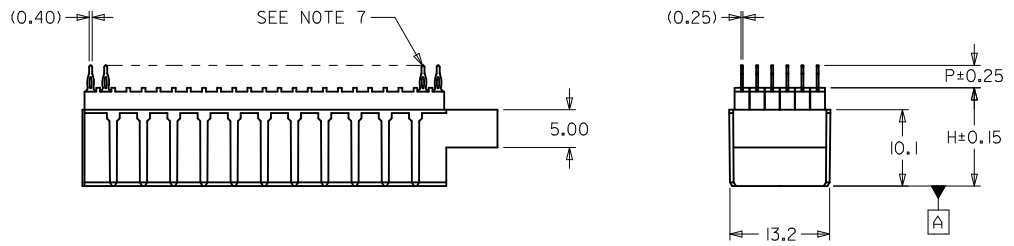
Material Info**Reference - Drawing Numbers**

Product Specification	PS-73780-999
Sales Drawing	SD-74300-002

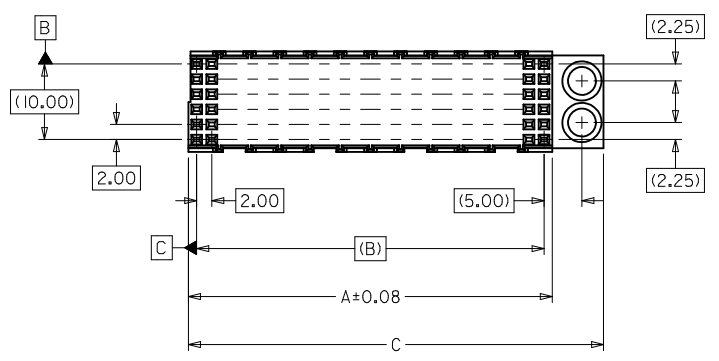
HDM and High Density Metric are trademarks of Amphenol Corporation

This document was generated on 05/15/2010

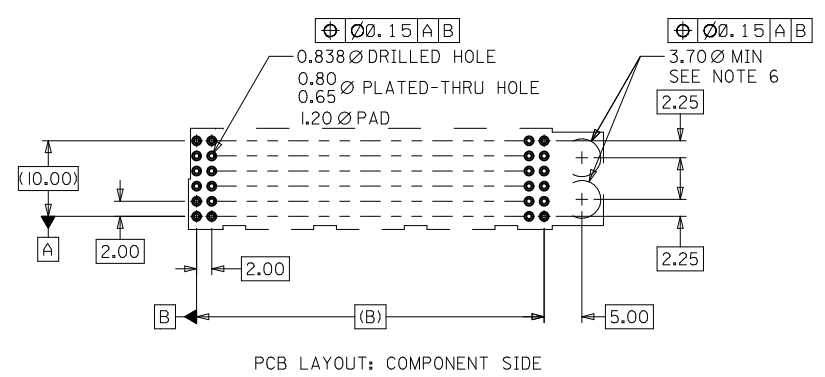
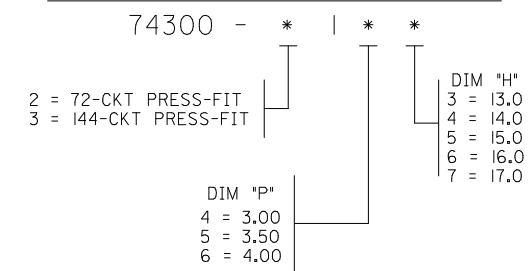
PLEASE CHECK WWW.MOLEX.COM FOR LATEST PART INFORMATION



- NOTES:
1. MATERIALS: HOUSING - LIQUID CRYSTAL POLYMER (LCP) BLACK
TERMINALS - HIGH PERFORMANCE COPPER ALLOY
 2. FINISH: SELECTIVE GOLD (Au) IN CONTACT AREA.
2.50 MICROMETER MINIMUM THICKNESS.
SELECTIVE TIN/LEAD (Sn/Pb) ON PRESS FIT TAILS.
0.88 MICROMETER MINIMUM THICKNESS.
NICKEL OVERALL.
 3. THIS PART CONFORMS TO MOLEX PRODUCT SPEC PS-73780-999.
 4. 144 CKT STACKING MODULE SHOWN FOR ILLUSTRATION PURPOSES.
SEE CHART FOR TABULATED DIMENSIONS.
 5. 74300-***7 PARTS TO BE PACKAGED IN TUBES PER PK-70873-0872.
ALL OTHER PARTS TO BE PACKAGED IN TUBES PER PK-70873-0900.
 6. DEPENDING ON APPLICATION, THIS HOLE MAY BE NEEDED FOR
CLEARANCE OF BACKPLANE GUIDE PIN. LOCATION OF HOLE WILL
DEPEND ON LOCATION OF GUIDE PIN.
 7. TRUE POSITION OF TAILS IS INSPECTED USING GAGE NUMBER
73727-0014.
 8. THIS PART CONFORMS TO MOLEX COSMETIC SPEC PS-45499-002 CLASS B.



MATERIAL NUMBER ASSIGNMENT



74300 - 31**	144	48.17	46.00	54.95
74300 - 21**	72	24.17	22.00	30.95
MATERIAL NUMBER	CIRCUIT SIZE	DIM A	DIM B	DIM C

UPDATE TO LEADED ONLY EC NO: UCP2010-1860 DRWN: JELTON 2010/01/25 CHKD: SDANNELLEY 2006/02/14 APPR: SMILLER 2010/02/08	QUALITY SYMBOLS ▽=0 ▽=0 ▽=0	GENERAL TOLERANCES (UNLESS SPECIFIED)		DIMENSION STYLE MM ONLY		SCALE	DESIGN UNITS METRIC	THIRD ANGLE PROJECTION	
		4 PLACES ± --- ± --- 3 PLACES ± --- ± --- 2 PLACES ± --- ± --- 1 PLACE ± --- ± ---	mm INCH ± --- ± --- ± --- ± --- ± --- ± ---	DRAWN BY JJONIAK	DATE 2006/02/14	TITLE SALES ASSY, HDM LEADED DAUGHTERCARD STACKING MODULE, GUIDE OPTION			
		ANGULAR ±1/2°		CHECKED BY SREED	DATE 2006/02/14	MOLEX MOLEX INCORPORATED			
		DRAFT WHERE APPLICABLE MUST REMAIN WITHIN DIMENSIONS		APPROVED BY SMILLER	DATE 2010/02/08	MATERIAL NO. SEE TABLE	DOCUMENT NO. SD-74300-002	SHEET NO. 1 OF 1	

THIS DRAWING CONTAINS INFORMATION THAT IS PROPRIETARY TO MOLEX INCORPORATED AND SHOULD NOT BE USED WITHOUT WRITTEN PERMISSION