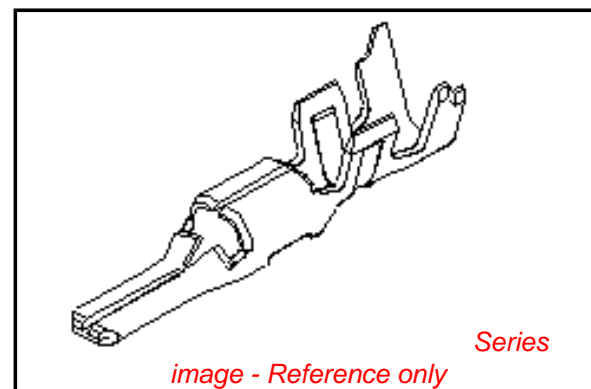


**PLEASE CHECK WWW.MOLEX.COM FOR LATEST PART INFORMATION**

**Part Number:** **0500388100**  
**Status:** **Active**  
**Overview:** splash\_proof  
**Description:** 2.50mm (.098") Pitch Splash Proof Crimp Terminal, 50038, Bag

**Documents:**

<a href="#">Drawing (PDF)</a>	<a href="#">Product Specification PS-52117-004 (PDF)</a>
<a href="#">Product Specification PS-52048-001 (PDF)</a>	<a href="#">Product Specification PS-52117-005 (PDF)</a>
<a href="#">Product Specification PS-52117-001 (PDF)</a>	<a href="#">Product Specification PS-52117-006 (PDF)</a>
<a href="#">Product Specification PS-52117-002 (PDF)</a>	<a href="#">Product Specification PS-52117-007 (PDF)</a>
<a href="#">Product Specification PS-52117-003 (PDF)</a>	<a href="#">RoHS Certificate of Compliance (PDF)</a>



**General**

Product Family	Crimp Terminals
Series	<u>50038</u>
Crimp Quality Equipment	Yes
Overview	<u>splash_proof</u>
Product Name	Splash Proof

**Physical**

Gender	Male
Material - Metal	Phosphor Bronze
Material - Plating Mating	Tin
Material - Plating Termination	Tin
Packaging Type	Bag
Plating min: Mating (µin)	36
Plating min: Mating (µm)	0.90
Plating min: Termination (µin)	36
Plating min: Termination (µm)	0.90
Termination Interface: Style	Crimp or Compression
Wire Insulation Diameter	1.80-1.90mm (.071-.075")
Wire Size AWG	20, 22
Wire Size mm <sup>2</sup>	N/A

**Material Info**

**Reference - Drawing Numbers**

Packaging Specification	SPK-50038-001
Product Specification	PS-52048-001, PS-52117-001, PS-52117-002, PS-52117-003, PS-52117-004, PS-52117-005, PS-52117-006, PS-52117-007, RPS-52048-001
Sales Drawing	SD-50038-8*00

**EU RoHS**

**ELV and RoHS Compliant**  
**REACH SVHC Contains SVHC: No**  
**Halogen-Free Status**

**China RoHS**



**Need more information on product environmental compliance?**

Email [productcompliance@molex.com](mailto:productcompliance@molex.com)  
 For a multiple part number RoHS Certificate of Compliance, [click here](#)

Please visit the [Contact Us](#) section for any non-product compliance questions.

**Search Parts in this Series**

50038Series

**Mates With**

50039

**Use With**

52116

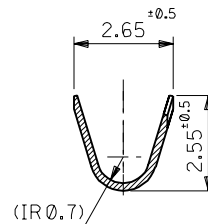
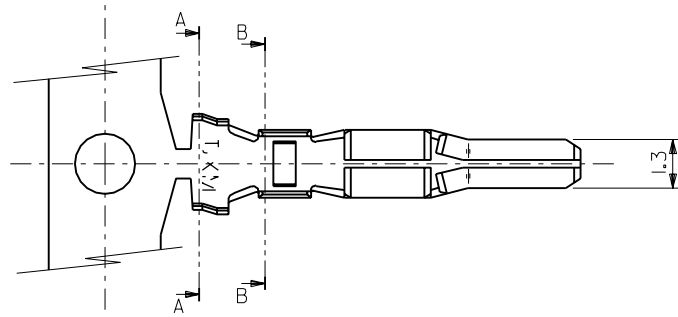
**Application Tooling | FAQ**

*Tooling specifications and manuals are found by selecting the products below. Crimp Height Specifications are then contained in the Application Tooling Specification document.*

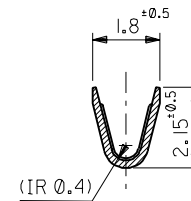
**Japan**

Description	Product #
Hand Crimper	<u>0570865000</u>
Hand Crimper	<u>0570855000</u>

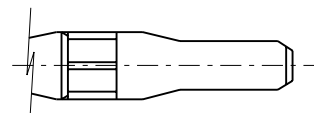
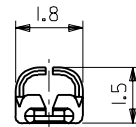
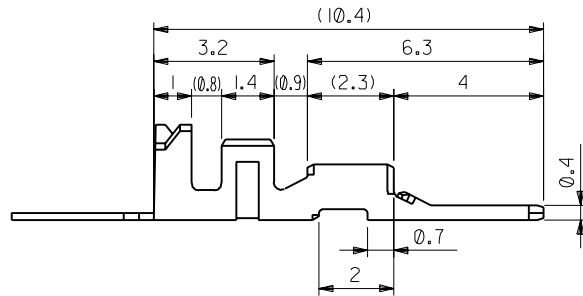
DWG. NO.  
SD-50038-8\*00



断面 A-A  
SECT.A-A



断面 B-B  
SECT.B-B



注記  
NOTICE

- 適合ハウジングアッセンブリ:  
52116-02\*\*  
52116-03\*\*  
52116-04\*\*
- APPLICABLE HOUSING ASSEMBLY:  
52116-02\*\*  
52116-03\*\*  
52116-04\*\*
- 嵌合相手: 50039-8\*00
- MATE: 50039-8\*00

50038-8100	バラ状 LOOSE
50038-8000	連鎖状 CHAIN
ENG NO.	形状 FORM

材料 MATERIAL リン青銅、錫メッキ PHOSPHER BRONZE PRE-TINNED PLATE		MOLEX JAPAN CO.,LTD. 日本モレックス株式会社	
仕上げ FINISH — # —		REVISE ONLY ON CAD SYSTEM	
適用電線範囲 WIRE RANGE AVS 0.3 AWG #20~22		TITLE 名称 2.5 SPLASH PROOF CONN.CRIMP PIN	
被覆外径 INS. RANGE φ 1.8~1.9		DWG. NO. SD-50038-8*00	
DRAWN BY 96/06/00 M.ASAOKA		CHK'D BY M.SAKANO	
APP'D BY M.ENOMOTO		尺度 8:1	
D REDRAWN		DR. 日付 CHK. DATE	
一般公差 GENERAL TOLERANCES		記号 LTR	
角度 ANGLE ±3°		変更内容 REVISION RECORD	
30 以上 OVER ±0.3		DR. 日付 CHK. DATE	
10 以上 30 未満 UNDER ±0.25		尺度 SCALE	
10 未満 UNDER ±0.2		REV D	

DIMENSIONS IN METRIC DO NOT SCALE DRAWING

50038.S20