

PLEASE CHECK WWW.MOLEX.COM FOR LATEST PART INFORMATION

Part Number: **0749603018**
Status: **Active**
Overview: tdp_triad_differential_pair
Description: 1.27mm (.050") Pitch TDP® (Triad® Differential Pair) PCIe x 1 Receptacle, Right Angle, Surface Mount, with PCB Press-Fit Pegs, 18 Circuits

Documents:

[3D Model](#) [Product Specification PS-74960-000 \(PDF\)](#)
[Drawing \(PDF\)](#) [RoHS Certificate of Compliance \(PDF\)](#)

Agency Certification

CSA LR19980
 UL E29179

General

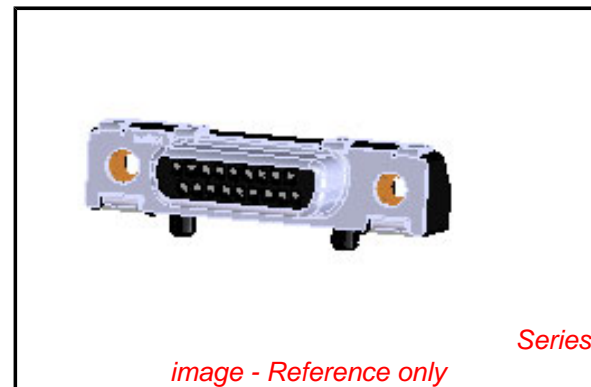
Product Family I/O Connectors
 Series [74960](#)
 Application Wire-to-Board
 Component Type Receptacle
 MolexKits Yes
 Overview tdp_triad_differential_pair
 Product Name PCI Express*, TDP®
 Type N/A

Physical

Circuits (Loaded) 18
 Circuits (maximum) 18
 Color - Resin Black
 Flammability 94V-0
 Lock to Mating Part Yes
 Material - Metal Beryllium Copper
 Material - Plating Mating Gold
 Material - Plating Termination Tin
 Material - Resin High Temperature Thermoplastic
 Orientation Right Angle
 PCB Locator Yes
 PCB Retention Yes
 Packaging Type Embossed Tape on Reel
 Panel Mount Yes
 Pitch - Mating Interface (in) 0.050 In
 Pitch - Mating Interface (mm) 1.27 mm
 Plating min: Mating (µin) 15
 Plating min: Mating (µm) 0.38
 Plating min: Termination (µin) 100
 Plating min: Termination (µm) 2.5
 Polarized to Mating Part Yes
 Surface Mount Compatible (SMC) N/A
 Temperature Range - Operating -20°C to +85°C
 Termination Interface: Style Surface Mount
 Wire Size AWG N/A

Electrical

Current - Maximum per Contact 1.5A
 Grounding to Panel Screw Hole
 Shielded Yes
 Voltage - Maximum 40V



EU RoHS

RoHS Compliant by Exemption

REACH SVHC

Contains SVHC: No

Halogen-Free

Status

Halogen-Free

Need more information on product environmental compliance?

Email productcompliance@molex.com
 For a multiple part number RoHS Certificate of Compliance, [click here](#)

Please visit the [Contact Us](#) section for any non-product compliance questions.

China RoHS



Pb

Search Parts in this Series

[74960Series](#)

Mates With

[75000 Plug](#)

Use With

[74962 Jack Posts](#)

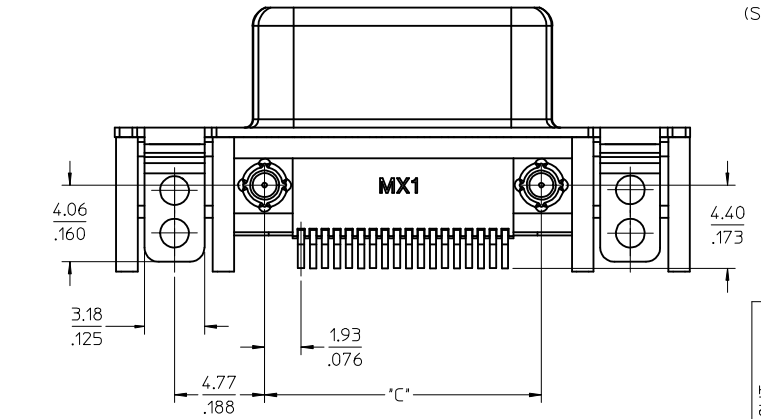
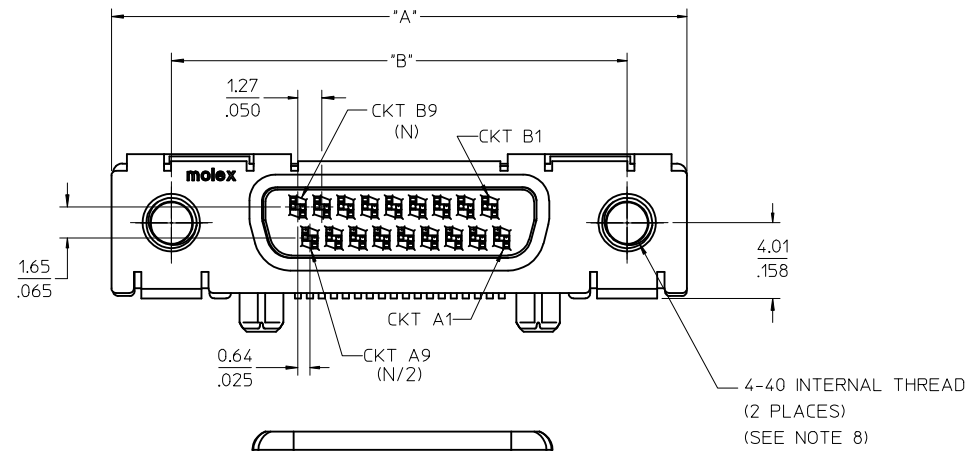
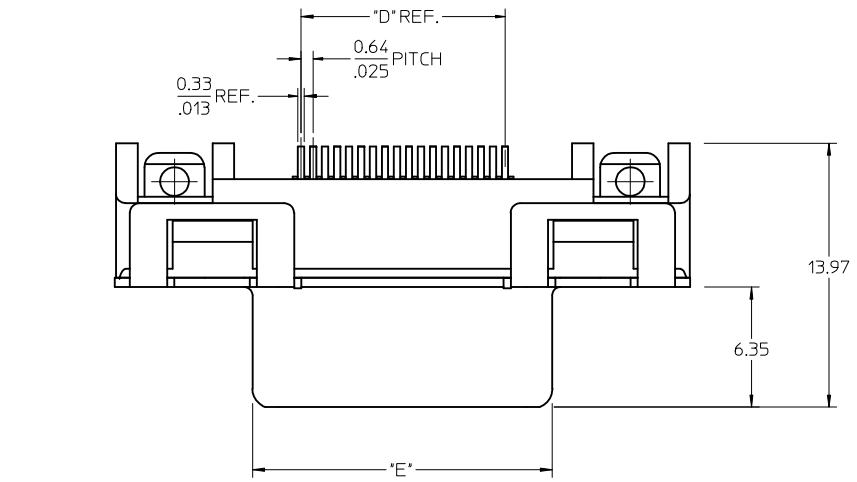
Material Info

Reference - Drawing Numbers

Application Specification	AS-74960-100
Packaging Specification	PK-74960-995
Product Specification	PS-74960-000
Sales Drawing	SD-74960-010

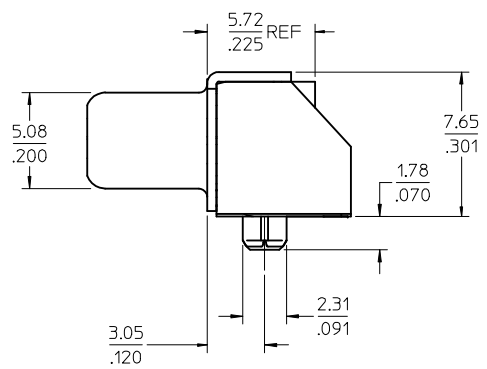
This document was generated on 06/07/2010

PLEASE CHECK WWW.MOLEX.COM FOR LATEST PART INFORMATION



NOTES:

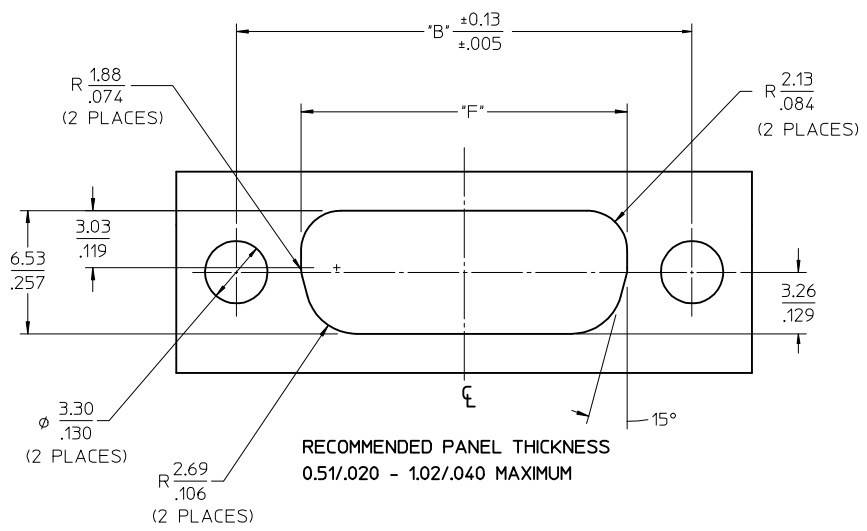
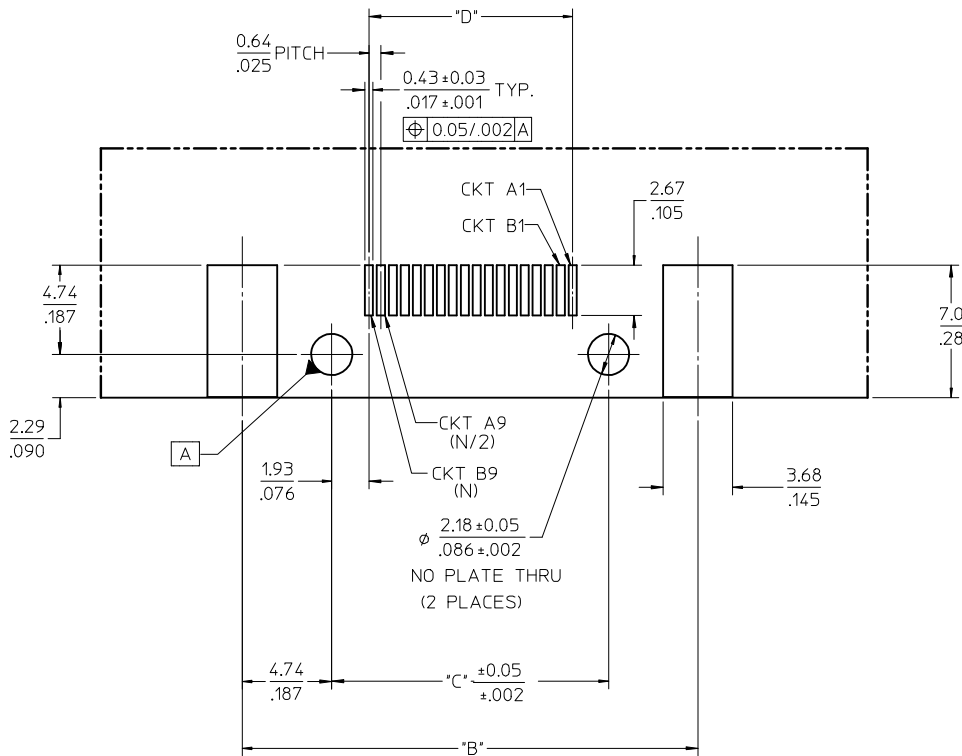
1. MATERIALS:
SHIELD - DEEP DRAWN STEEL
HOUSING - GLASS FILLED POLYMER, BLACK, UL 94V-0
CONTACTS - COPPER ALLOY
2. PLATING:
TERMINALS - SELECTIVE GOLD (Au) THICKNESS IN CONTACT AREA, 0.38 MICROMETERS/15 MICROINCHES MINIMUM;
SELECTIVE MATTE TIN (Sn) THICKNESS IN PC TAIL AREA, 2.54 MICROMETERS/100 MICROINCHES MINIMUM;
OVER NICKEL (Ni) UNDERPLATE OVERALL.
SHIELD - 2.54 MICROMETERS/100 MICROINCHES MINIMUM MATTE TIN (Sn)
OVER 1.27 MICROMETERS/50 MICROINCHES MINIMUM NICKEL (Ni)
OVER COPPER (Cu) UNDERPLATE OVERALL.
3. PC SMT TAILS AND 2 GROUND TABS ARE TO BE COPLANAR WITHIN 0.127/0.005.
4. PARTS TO BE PACKAGED IN TAPE AND REEL. SEE CHART ON SHEET 2 FOR PACKAGING SPECIFICATION.
5. REFER TO SHEET 2 FOR RECOMMENDED PCB LAYOUT AND PANEL CUT-OUT.
6. RECOMMENDED JACK POST MOUNTING HARDWARE (QTY 2 PER ASSEMBLY), SEE CHART FOR ITEM NUMBERS AND SALES DRAWING SD-74962-000.
7. PRODUCT CONFORMS TO MOLEX PRODUCT SPECIFICATION PS-74960-000.
8. FOR TDP RECEPTACLE WITH M3 INTERNAL THREAD OPTION CONTACT PRODUCT MARKETING.



REVISED PIN OUT EC NO: UCP2009-3097 DRWN: JJANTELEZ 6/22/09 CHKD: 2009/08/14 APPR: MBANAKIS 2009/08/14	QUALITY SYMBOLS ▽ = 0 ▽C = 0	GENERAL TOLERANCES (UNLESS SPECIFIED)		SCALE 5:1	DESIGN UNITS INCH	THIRD ANGLE PROJECTION	REVISE ON CAD ONLY	
			mm	INCH	DIMENSION STYLE MM/IN		TITLE SALES DRAWING - PCIE/TDP SMT RECEPTACLE ASSEMBLY	
		4 PLACES	± ---	± ---	DRAWN BY JJANTELEZ	DATE 07/15/2008	MOLEX INCORPORATED	
		3 PLACES	± ---	± .010	CHECKED BY TMCCLELL	DATE 07/15/2008		
2 PLACES	± 0.25	± .015	APPROVED BY BANAKIS		DATE 07/15/2008	MATERIAL NO. SEE CHART	DOCUMENT NO. SD-74960-010	
1 PLACE	± 0.38	± ---	DRAFT WHERE APPLICABLE MUST REMAIN WITHIN DIMENSIONS		SHEET NO. 1 OF 2			
		ANGULAR ± 1/2°		THIS DRAWING CONTAINS INFORMATION THAT IS PROPRIETARY TO MOLEX INCORPORATED AND SHOULD NOT BE USED WITHOUT WRITTEN PERMISSION				

NOTES:

1. ALL DIMENSIONS ON THIS SHEET ARE ±0.13/.005 TOLERANCE UNLESS OTHERWISE SPECIFIED.
2. DIMENSIONS SHOWN ABOUT A CENTERLINE ARE SYMMETRICAL ABOUT THAT CENTERLINE WITHIN HALF THE SPECIFIED TOLERANCE.



NOT TOOLED	MATERIAL NUMBER	CIRCUIT SIZE	*A* DIMENSION	*B* DIMENSION	*C* DIMENSION	*D* DIMENSION	*E* DIMENSION	*F* DIMENSION	PACKAGING SPECIFICATION
	74960-3018	18	30.48 1.200	24.13 .950	14.66 .577	10.80 .425	15.87 .625	17.27 .680	PK-74960-995
	74960-3028	28	36.83 1.450	30.48 1.200	21.01 .827	17.15 .675	22.17 .873	23.62 .930	PK-74960-995
X	74960-3038	38	43.18 1.700	36.83 1.450	27.36 1.077	23.50 .925	28.52 1.123	29.97 1.180	N/A CONTACT PRODUCT MARKETING
	74960-3048	48	49.53 1.950	43.18 1.700	33.71 1.327	29.85 1.175	34.87 1.373	36.32 1.430	PK-74960-996
X	74960-3072	72	64.77 2.550	58.42 2.300	48.95 1.927	45.09 1.775	50.11 1.973	51.56 2.030	N/A CONTACT PRODUCT MARKETING

RECOMMENDED JACKPOST INTERNAL THREAD OPTIONS (SEE NOTE 6 ON SHEET 1)

4-40	M3
74962-0001	74962-0002

4-40 THREAD INTERNAL THREAD

SEE SHEET 1 EC NO: UCP2009-3097 DRWN: JJANTELEZ 6/22/09 CHKD: 2009/08/14 APPR: MBANAKIS 2009/08/14	QUALITY SYMBOLS	GENERAL TOLERANCES (UNLESS SPECIFIED)	SCALE	DESIGN UNITS	THIRD ANGLE PROJECTION	REVISE ON CAD ONLY		
	▼ - 0 ▽ - 0		mm	INCH			INCH	
			DIMENSION STYLE					DATE
			MM/IN					
C	DESCRIPTION	DRAFT WHERE APPLICABLE MUST REMAIN WITHIN DIMENSIONS	DRAWN BY	DATE	TITLE	SALES DRAWING - PCIE/TDP SMT RECEPTACLE ASSEMBLY		
			4 PLACES ± --- ± ---	3 PLACES ± --- ± .010			JJANTELEZ	07/15/2008
			3 PLACES ± --- ± .015	2 PLACES ± 0.25 ± .015			DATE	
		1 PLACE ± 0.38 ± ---	CHECKED BY	DATE				
		ANGULAR ± 1/2°	TMCLELL	07/15/2008				
			APPROVED BY	DATE				
			BANAKIS	07/15/2008				
			MATERIAL NO. DOCUMENT NO.					
			SEE CHART SD-74960-010					
			SHEET NO. 2 OF 2					
			THIS DRAWING CONTAINS INFORMATION THAT IS PROPRIETARY TO MOLEX INCORPORATED AND SHOULD NOT BE USED WITHOUT WRITTEN PERMISSION					