

PLEASE CHECK WWW.MOLEX.COM FOR LATEST PART INFORMATION

Part Number: [0736430100](#)
Status: **Active**
Overview: [hdm](#)
Description: 2.00mm (.079") Pitch HDM® Board-to-Board Backplane Header, Vertical, Press-Fit, End Wall Option, 72 Circuits

Documents:

[Drawing \(PDF\)](#) [RoHS Certificate of Compliance \(PDF\)](#)

Agency Certification

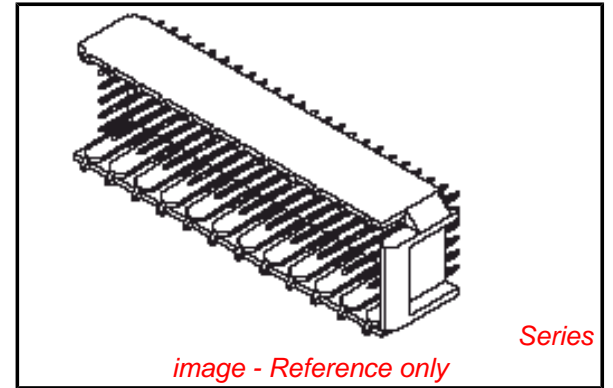
CSA LR19980
 UL E29179

General

Product Family Backplane Connectors
 Series [73643](#)
 Application Backplane
 Comments Standard Press-Fit
 Component Type PCB Header
 Overview [hdm](#)
 Product Name HDM®
 Style N/A

Physical

Circuits (Loaded) 72
 Circuits (maximum) 72
 Color - Resin Black, Natural
 Durability (mating cycles max) 250
 First Mate / Last Break No
 Flammability 94V-0
 Guide to Mating Part No
 Keying to Mating Part None
 Material - Metal Phosphor Bronze
 Material - Plating Mating Gold
 Material - Plating Termination Gold
 Material - Resin High Temperature Thermoplastic
 Number of Columns 12
 Number of Pairs Open Pin Field
 Number of Rows 6
 Orientation Vertical
 PC Tail Length (in) 0.138 In
 PC Tail Length (mm) 3.50 mm
 PCB Locator No
 PCB Retention None
 PCB Thickness Recommended (in) 0.098 In
 PCB Thickness Recommended (mm) 2.50 mm
 Packaging Type Tube
 Pitch - Mating Interface (in) 0.079 In
 Pitch - Mating Interface (mm) 2.00 mm
 Pitch - Term. Interface (in) 0.079 In
 Pitch - Term. Interface (mm) 2.00 mm
 Plating min: Mating (µin) 30
 Plating min: Mating (µm) 0.75
 Plating min: Termination (µin) 2
 Plating min: Termination (µm) 0.05
 Polarized to PCB No



EU RoHS

China RoHS

Compliance Status

Not Reviewed

REACH SVHC

Not Reviewed

Halogen-Free

Status

Not Reviewed

Need more information on product environmental compliance?

Email productcompliance@molex.com
 For a multiple part number RoHS Certificate of Compliance, [click here](#)

Please visit the [Contact Us](#) section for any non-product compliance questions.

Search Parts in this Series

[73643Series](#)

Mates With

[73632 HDM PLUS® Board-to-Board Daughtercard Receptacle](#). [73780 HDM® Board-to-Board Daughtercard Receptacle](#)

Application Tooling | FAQ

Tooling specifications and manuals are found by selecting the products below. Crimp Height Specifications are then contained in the Application Tooling Specification document.

Global

| Description | Product # |
|--|----------------------------|
| Flat Rock Tooling for Pneumatic Press | 0622013700 |
| HDM® Backplane Insertion Signal Contact Tool | 0621001400 |
| Extraction Tool | 0621001000 |

| | |
|--------------------------------|------------------------------|
| Stackable | No |
| Surface Mount Compatible (SMC) | Yes |
| Temperature Range - Operating | -55°C to +105°C |
| Termination Interface: Style | Through Hole - Compliant Pin |

Electrical

| | |
|-------------------------------|----------|
| Current - Maximum per Contact | 1A |
| Data Rate | 1.0 Gbps |
| Real Signals (per 25mm) | 75 |
| Shielded | No |
| Voltage - Maximum | 250V AC |

Material Info

Reference - Drawing Numbers

| | |
|-------------------------|----------------|
| Packaging Specification | PK-70873-0818 |
| Sales Drawing | SDA-73643-**** |

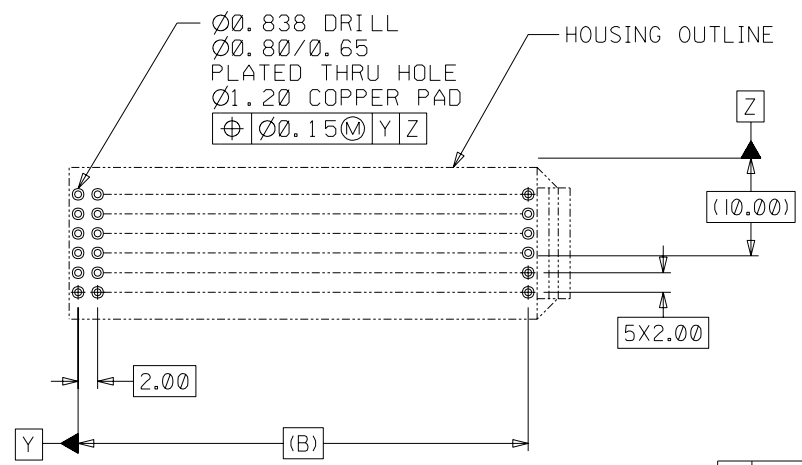
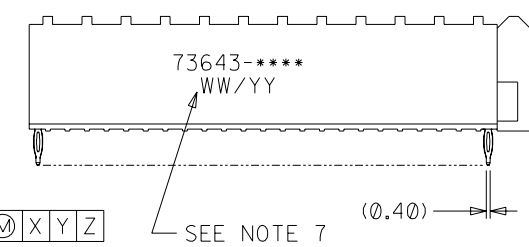
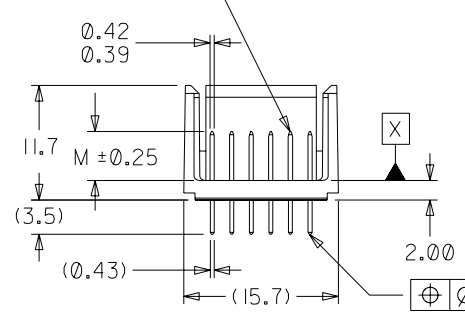
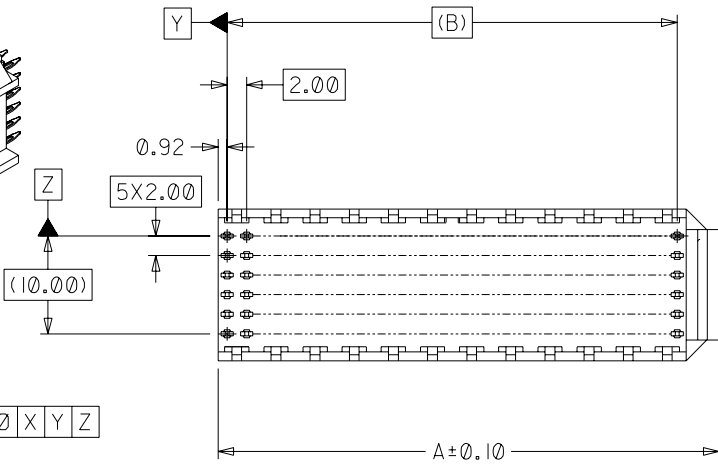
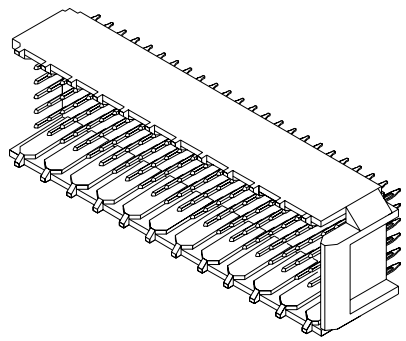
HDM and High Density Metric are trademarks of Amphenol Corporation

This document was generated on 05/14/2010

PLEASE CHECK WWW.MOLEX.COM FOR LATEST PART INFORMATION

NOTES:

1. MATERIALS: HOUSING - LIQUID CRYSTAL POLYMER (LCP), GLASS-FILLED, UL94V-0, COLOR: BLACK, TERMINAL - PHOSPHOR BRONZE.
2. FINISHES: SELECTIVE GOLD (Au) IN CONTACT AREA, 0.00076mm MINIMUM THICKNESS; NICKEL (Ni) AND GOLD FLASH OVERALL SELECTIVE GOLD (Au) IN CONTACT AREA, 0.00076mm MINIMUM THICKNESS; SELECTIVE TIN/LEAD (Sn/Pb) IN TAIL AREA; NICKEL (Ni) OVERALL.
3. THIS PART CONFORMS TO MOLEX PRODUCT SPECIFICATION PS-73670-9999.
4. FOR MIXED CONTACT MATING LENGTHS, CONSULT FACTORY FOR AVAILABILITY.
5. DIMENSIONS ARE IN MILLIMETERS.
6. PACKAGE PER PK-70873-0818.
7. PARTS MARKED WITH PART NUMBER AND DATE CODE, ON EITHER SIDE, APPROXIMATELY WHERE SHOWN.



PCB LAYOUT: COMPONENT SIDE
RECOMMENDED PCB THICKNESS: 2.50 MIN

| | |
|----|-----|
| 2 | C |
| 1 | I |
| SH | REV |

| | | | | | |
|------|---|------|---|------|--|
| I | REVISED ECR UCP2003-2260 THOMAS 03/04/25 | F | REVISED ECR UDT1999-0476 BINGHAM 98/12/21 | C | REVISED PER ECR #U81357 BINGHAM 97/12/15 |
| H | REVISED ECR UDT2000-0348 BINGHAM 99/10/12 | E | REVISED ECR UDT1999-0243 BINGHAM 98/09/29 | B | REVISED PER ECR #U70950 BINGHAM 97/02/14 |
| G | REVISED ECR UDT1999-0662 BINGHAM 99/05/18 | D | REVISED ECR UDT1998-0240 BINGHAM 98/05/06 | A | RELEASED FOR PROD. PER ECR # U70371 BINGHAM 96/12/18 |
| LTR. | REVISIONS | LTR. | REVISIONS | LTR. | REVISIONS |

| | |
|---|----------------|
| DIMENSIONS SHOWN (METRIC) INCH | |
| UNLESS OTHERWISE SPECIFIED TOLERANCES: ANGULAR ± 1/2° | |
| 3 PLACE | ± N/A --- |
| 2 PLACE | ± N/A ± 0.05 |
| 1 PLACE | --- ± 0.10 |
| DRAFT WHERE APPLICABLE MUST REMAIN WITHIN DIMENSIONS | |
| DRWG. BY: JRR | CHK'D. BY: SMR |
| APP'D. BY: CAB | SCALE: 2 : 1 |

| | | |
|---|--|---------------------------|
| ▽ = 0 | ▼ = 0 | REVISE ONLY ON CAD SYSTEM |
| TITLE SALES ASSY, HDM BACKPLANE MODULE, END WALL OPTION | | |
| MOLEX MOLEX INCORPORATED LISLE, ILL. 60532 U.S.A. | SHEET NO. 1 OF 2 | DATE 96/12/18 |
| PART NO. SEE SHEET 2 | DRWG. NO. SDA-73643-**** | |
| FILE NAME S73643X1 DGN | THIS DRAWING CONTAINS INFORMATION THAT IS PROPRIETARY TO MOLEX INC. AND SHOULD NOT BE USED WITHOUT WRITTEN PERMISSION. | |
| DIV. DA | SIZE B | |

| MATERIAL NUMBER | NUMBER OF SIGNAL CONTACTS | PLATING | DIM "A" | DIM "B" | DIM "M" |
|-----------------|---------------------------|-----------------------------------|---------|---------|---------|
| 73643-0000 | 72 | SELECTIVE GOLD/GOLD FLASH | 27.60 | 22.00 | 5.00 |
| 73643-0100 | 72 | SELECTIVE GOLD/GOLD FLASH | 27.60 | 22.00 | 5.50 |
| 73643-0200 | 72 | SELECTIVE GOLD/GOLD FLASH | 27.60 | 22.00 | 6.00 |
| 73643-1000 | 144 | SELECTIVE GOLD/GOLD FLASH | 51.60 | 46.00 | 5.00 |
| 73643-1100 | 144 | SELECTIVE GOLD/GOLD FLASH | 51.60 | 46.00 | 5.50 |
| 73643-1200 | 144 | SELECTIVE GOLD/GOLD FLASH | 51.60 | 46.00 | 6.00 |
| 73643-2000 | 72 | SELECTIVE GOLD/SELECTIVE TIN-LEAD | 27.60 | 22.00 | 5.00 |
| 73643-2100 | 72 | SELECTIVE GOLD/SELECTIVE TIN-LEAD | 27.60 | 22.00 | 5.50 |
| 73643-2200 | 72 | SELECTIVE GOLD/SELECTIVE TIN-LEAD | 27.60 | 22.00 | 6.00 |
| 73643-3000 | 144 | SELECTIVE GOLD/SELECTIVE TIN-LEAD | 51.60 | 46.00 | 5.00 |
| 73643-3100 | 144 | SELECTIVE GOLD/SELECTIVE TIN-LEAD | 51.60 | 46.00 | 5.50 |
| 73643-3200 | 144 | SELECTIVE GOLD/SELECTIVE TIN-LEAD | 51.60 | 46.00 | 6.00 |

| | |
|--|----------------|
| DIMENSIONS SHOWN (METRIC) INCH | |
| UNLESS OTHERWISE SPECIFIED TOLERANCES: ANGULAR = 1/2° | |
| 3 PLACE | ± N/A --- |
| 2 PLACE | ± N/A ± 0.05 |
| 1 PLACE | --- ± 0.10 |
| DRAFT WHERE APPLICABLE MUST REMAIN WITHIN DIMENSIONS | |
| DRWG. BY LTR. | JRR |
| CHK'D. BY | SMR |
| APP'D. BY CAB | SCALE NO:NE |
| SEE SHEET I | |

| | |
|--|-----------------------------|
| ▽ = 0 ▼ = 0 REVISE ONLY ON CAD SYSTEM | |
| TITLE SALES ASSY, HDM BACKPLANE MODULE, END WALL OPTION | |
| MOLEX INCORPORATED LISLE, ILL. 60532 U.S.A. | SHEET NO. 2 DATE 97/12/15 |
| PART NO. | DRWG. NO. |
| SEE CHART | SDA-73643-***** |
| THIS DRAWING CONTAINS INFORMATION THAT IS PROPRIETARY TO MOLEX INC. AND SHOULD NOT BE USED WITHOUT WRITTEN PERMISSION. | |
| DIV. DA | SIZE B |