

PLEASE CHECK WWW.MOLEX.COM FOR LATEST PART INFORMATION

Part Number: [0716603568](#)
Status: **Active**
Overview: [ebbi_50d](#)
Description: 1.27mm (.050") Pitch EBBI™ 50D - Receptacle, Vertical, IDT

Documents:

[3D Model](#) [Product Specification PS-71660 \(PDF\)](#)
[Drawing \(PDF\)](#) [RoHS Certificate of Compliance \(PDF\)](#)

Agency Certification

CSA LR19980
 UL E29179

General

Product Family IDT and Solder Connectors
 Series [71660](#)
 Crimp Quality Equipment Yes
 Overview [ebbi_50d](#)
 Product Name EBBI™

Physical

Circuits (Loaded) 68
 Color - Resin Natural (White)
 Durability (mating cycles max) 2,000
 Flammability 94V-0
 Gender Female
 Glow-Wire Compliant No
 Lock to Mating Part None
 Material - Metal Phosphor Bronze
 Material - Plating Mating Gold
 Material - Plating Termination Tin
 Material - Resin Polyester
 Number of Rows 2
 Packaging Type Tray
 Pitch - Mating Interface (in) 0.050 In
 Pitch - Mating Interface (mm) 1.27 mm
 Plating min: Mating (µin) 30
 Plating min: Mating (µm) 0.75
 Plating min: Termination (µin) 100
 Plating min: Termination (µm) 2.5
 Stackable No
 Temperature Range - Operating -40°C to +105°C
 Termination Interface: Style IDT or Pierce
 Wire Size AWG 30

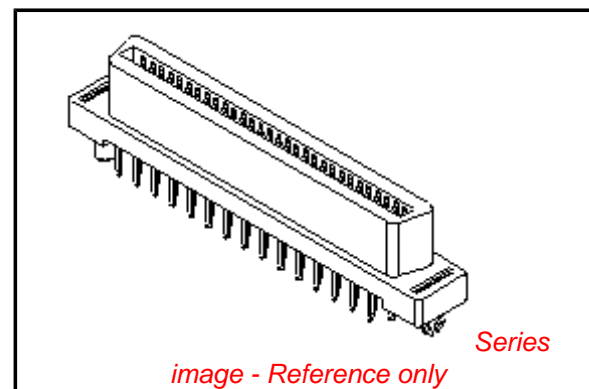
Electrical

Current - Maximum per Contact 1A
 Voltage - Maximum 30V

Material Info

Reference - Drawing Numbers

Application Specification AS-71662-001
 Packaging Specification PK-70873-0403
 Product Specification PS-71660
 Sales Drawing SDA-71660-35**



EU RoHS

**ELV and RoHS
 Compliant**
REACH SVHC
 Not Reviewed
**Halogen-Free
 Status**
 Not Reviewed

China RoHS



**Need more information on product
 environmental compliance?**

Email productcompliance@molex.com
 For a multiple part number RoHS Certificate of
 Compliance, [click here](#)

Please visit the [Contact Us](#) section for any
 non-product compliance questions.

Search Parts in this Series

[71660Series](#)

Application Tooling | [FAQ](#)

*Tooling specifications and manuals are
 found by selecting the products below.
 Crimp Height Specifications are then
 contained in the Application Tooling
 Specification document.*

Global

| Description | Product # |
|--------------------|----------------------------|
| IDT - Manual Press | 0622004600 |
| IDT - Manual Press | 0622005500 |

This document was generated on 06/07/2010

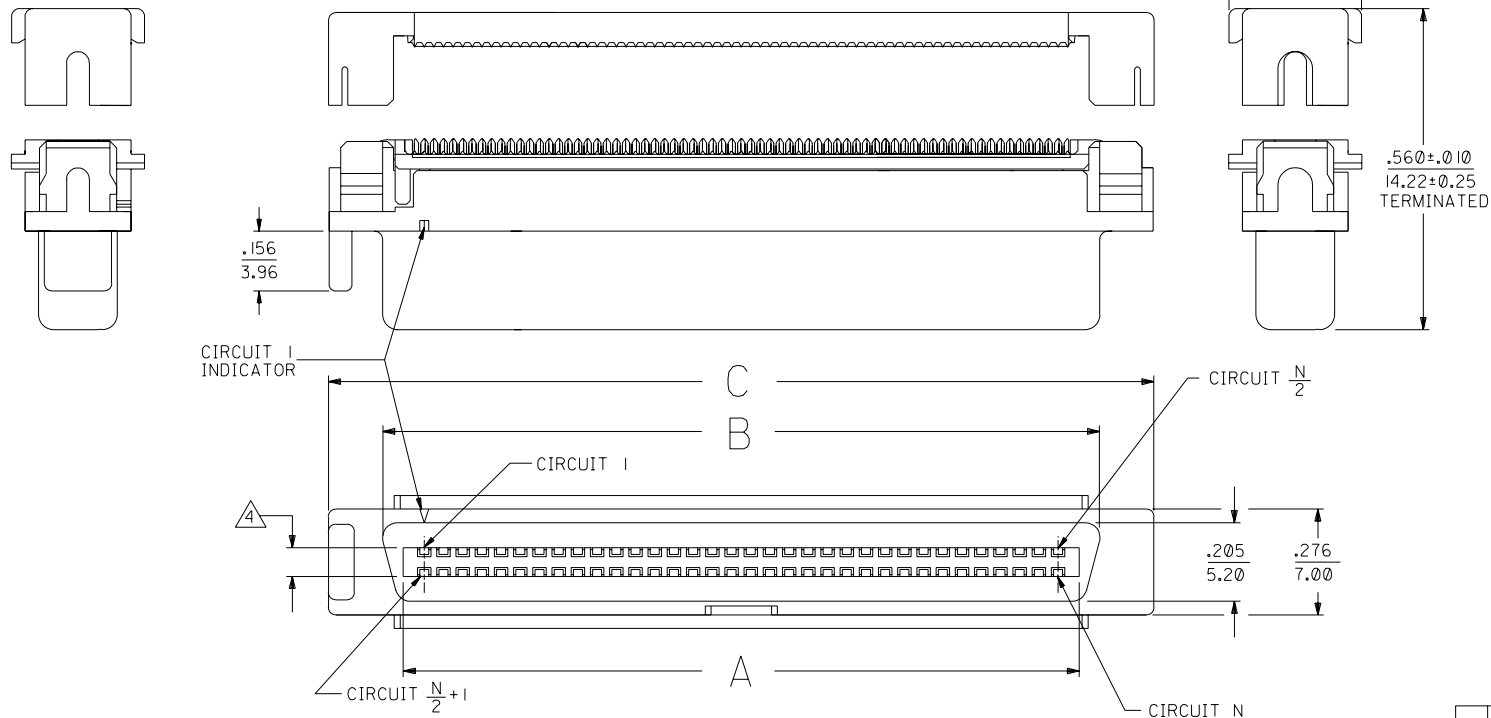
PLEASE CHECK WWW.MOLEX.COM FOR LATEST PART INFORMATION

NOTES:

- 1) MATERIALS:
HOUSING- LCP, GLASS FILLED, 94V-0, BLACK.
ALIGNER, TERMINATION COVER- POLYESTER, GLASS FILLED, 94V-0, GREY.
TERMINALS- PHOSPHOR BRONZE ALLOY.
- 2) FINISH:
SELECTIVE GOLD IN CONTACT AREA
THICKNESS = 30 MICROINCHES / 0.763 MICROMETERS
SELECTIVE TIN IN IDT AREA
THICKNESS = 50 MICROINCHES / 1.27 MICROMETERS
NICKEL UNDERPLATE OVERALL.
- 3) PRODUCT SPECIFICATION: PS-71660.
- 4) ASSEMBLY MATES WITH MOLEX P/N 71661-****.
CONNECTOR WILL ACCEPT MATING TO A P.C. BOARD WITH
A THICKNESS OF .062±.003.
- 5) CONNECTOR WILL TERMINATE .025 ̢ FLAT RIBBON CABLES OF THE FOLLOWING CONSTRUCTION:
#30 AWG STRANDED OR SOLID, PVC INSULATION.
#30 AWG SOLID, FEP INSULATION.
- 6) PRODUCT IS SHIPPED AS A KIT. THE HOUSING/ALIGNER SUB-ASSEMBLY
IS SHIPPED TRAY PACKED. THE TERMINATION COVER IS INCLUDED IN BULK PACKAGING.
PER PACKAGING SPECIFICATION PK 70873-0403.
- 7) APPLICATION TOOLING: SEE APPLICATION SPECIFICATION AS-71662-000.

NOTE FOR LEAD FREE CONVERSION:

THE PRIMARY SHIPPING CARTON WILL BE
LABELED "COMPLIANT TO RoHS DIRECTIVE
2002/95/EC AND ELV ANNEX II OF
DIRECTIVE 2000/53/EC". CARTONS WITHOUT
THIS LABEL MAY CONTAIN PRODUCT WITH
LEAD.



| | | | | |
|---------------|---------------|---------------|----|------------|
| 2.445 (62.10) | 2.166 (55.02) | 2.025 (51.43) | 80 | 71660-3580 |
| 2.145 (54.48) | 1.866 (47.40) | 1.725 (43.81) | 68 | 71660-3568 |
| 1.945 (49.40) | 1.666 (42.32) | 1.525 (38.74) | 60 | 71660-3560 |
| 1.695 (43.05) | 1.416 (35.97) | 1.275 (32.38) | 50 | 71660-3550 |
| 1.445 (36.70) | 1.166 (29.62) | 1.025 (26.04) | 40 | 71660-3540 |
| 1.195 (30.35) | .916 (23.27) | .775 (19.68) | 30 | 71660-3530 |

| C | B | A | CKT "N" | MATERIAL NUMBER |
|---|---|---|---------|-----------------|
|---|---|---|---------|-----------------|

LEAD FREE CONV
ECN UCP2004-2096
RKADAMS 04/04/23

| | | | | |
|---|---|---|--|--|
| 2 | A | | | |
| 1 | B | A | | |
| | | | | |
| | | | | |
| | | | | |

RELEASE
PER U2000-0771
ACHAMMER 00/02/22

MOLEX INCORPORATED
LITSE,ILL. 60532 U.S.A.

SHEET NO. 1 OF 2
DATE 00/02/22

| | | | |
|--|---------------|---|------------|
| DIMENSIONS SHOWN (METRIC) INCH | | UNLESS OTHERWISE SPECIFIED TOLERANCES: ANGULAR ± 1/2° | |
| 3 PLACE | ± .005 | --- | --- |
| 2 PLACE | ± .01 | ± 0.13 | |
| 1 PLACE | --- | ± 0.25 | |
| DRAFT WHERE APPLICABLE MUST REMAIN WITHIN DIMENSIONS | | | |
| DRWG. BY DGA | CHK'D. BY DGA | APP'D. BY MGB | SCALE 4: 1 |

REVISIONS ONLY ON CAD SYSTEM

TITLE: SALES ASSEMBLY
EBBI VERTICAL IDT RECEPTACLE
FOR PVC OR FEP RIBBON CABLE

PART NO. SEE TABLE
DRWG. NO. SDA-71660-35**

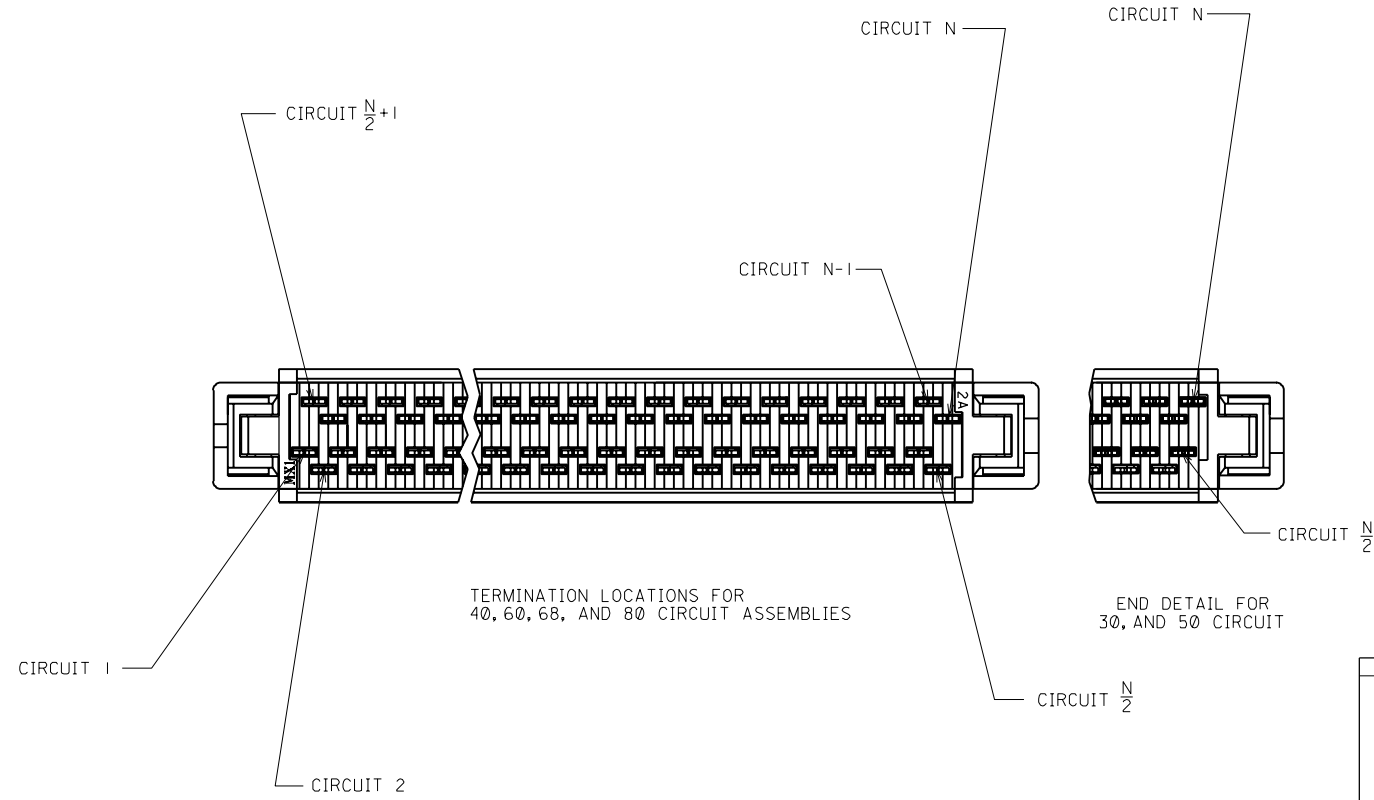
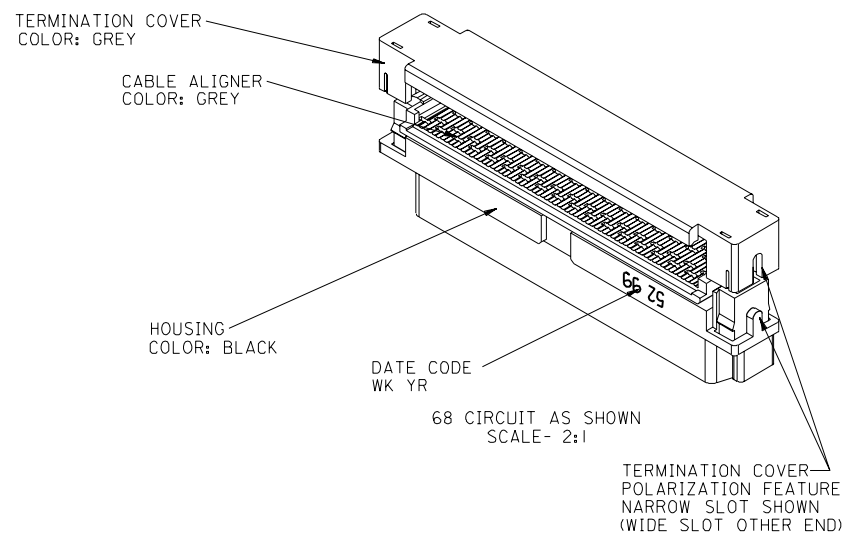
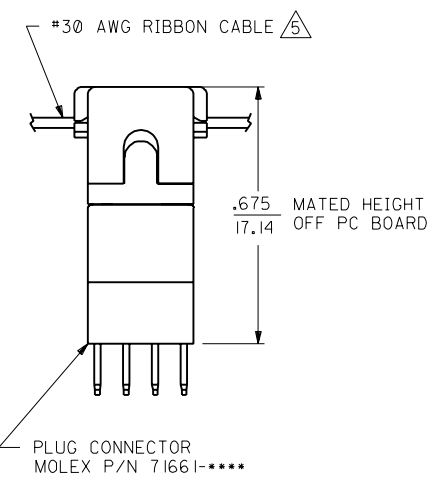
THIS DRAWING CONTAINS INFORMATION THAT IS PROPRIETARY TO MOLEX INC. AND SHOULD NOT BE USED WITHOUT WRITTEN PERMISSION.

71660

C C

13 12 11 10 9 8 7 6 5 4 3 2 1

71660



| | |
|---------------------------|-------------|
| 71660 | |
| A | SEE SHEET 1 |
| MFG. SH. | REV. LTR. |
| REVISE ONLY ON CAD SYSTEM | |

| | | | |
|--|----------------|--|------------------------|
| DIMENSIONS SHOWN (METRIC) INCH | | UNLESS OTHERWISE SPECIFIED TOLERANCES ANGULAR $\pm 1/2^\circ$ | |
| 3 PLACE | $\pm .005$ | --- | --- |
| 2 PLACE | $\pm .01$ | ± 0.13 | |
| 1 PLACE | --- | ± 0.25 | |
| DRAFT WHERE APPLICABLE MUST REMAIN WITHIN DIMENSIONS | | | |
| DRWG. BY: DGA | CHK'D. BY: DGA | TITLE: SALES ASSEMBLY EBBI VERTICAL IDT RECEPTACLE FOR PVC AND FEP RIBBON CA | |
| APP'D. BY: MGB | SCALE: 4: 1 | FROM: MOLEX INCORPORATED U.S.A. | DATE: 00/02/22 |
| PART NO. SEE TABLE | | SHEET NO. 2 | DRWG. NO. SDA-71660-35 |
| THIS DRAWING CONTAINS INFORMATION THAT IS PROPRIETARY TO MOLEX INC. AND SHOULD NOT BE USED WITHOUT WRITTEN PERMISSION. | | DIV. C | SIZE C |

13 12 11 10 9 8 7 6 5 4 3 2 1