

**PLEASE CHECK WWW.MOLEX.COM FOR LATEST PART INFORMATION**

**Part Number:** [0749792502](#)  
**Status:** **Active**  
**Overview:** vhdm\_hsd  
**Description:** 2.00mm (.079") Pitch 6-Row VHDM-HSD™ Backplane Header, Open Module, 100 Circuits, Gold (Au) Selective 0.76µm (30µ"), Pin Length 6.25mm (.246")

**Documents:**

[Drawing \(PDF\)](#) [RoHS Certificate of Compliance \(PDF\)](#)  
[Product Specification PS-74031-999 \(PDF\)](#)

**General**

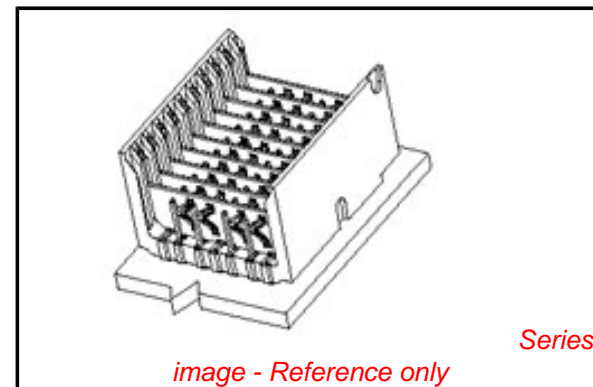
Product Family	Backplane Connectors
Series	74979
Application	Backplane
Application Tooling Documents	<a href="http://www.molex.com/pdm_docs/ats/TM-622010999.pdf">Tooling Manual</a>
Comments	Open Header
Component Type	PCB Header
Overview	vhdm_hsd
Product Name	VHDM-HSD™
Style	N/A

**Physical**

Circuits (Loaded)	100
Circuits (maximum)	100
Color - Resin	Black
Durability (mating cycles max)	200
First Mate / Last Break	No
Guide to Mating Part	No
Keying to Mating Part	None
Material - Metal	Copper-Nickel-Silicon, High Performance Alloy (HPA)
Material - Plating Mating	Gold
Material - Plating Termination	Tin-Lead
Material - Resin	High Temperature Thermoplastic
Number of Columns	25
Number of Pairs	Open Pin Field
Number of Rows	6
Orientation	Vertical
PCB Retention	None
PCB Thickness Recommended (in)	0.070 In
PCB Thickness Recommended (mm)	1.80 mm
Packaging Type	Tube
Pitch - Mating Interface (in)	0.079 In
Pitch - Mating Interface (mm)	2.00 mm
Plating min: Mating (µin)	30
Plating min: Mating (µm)	0.75
Plating min: Termination (µin)	30
Plating min: Termination (µm)	0.75
Polarized to PCB	Yes
Stackable	Yes
Surface Mount Compatible (SMC)	Yes
Temperature Range - Operating	-55°C to +105°C
Termination Interface: Style	Through Hole - Compliant Pin

**Electrical**

Current - Maximum per Contact 1A



**EU RoHS**

**RoHS Compliant by Exemption**

**REACH SVHC**

**Contains SVHC: No**

**Halogen-Free**

**Status**

**Halogen-Free**

**China RoHS**



Pb

**Need more information on product environmental compliance?**

Email [productcompliance@molex.com](mailto:productcompliance@molex.com)  
 For a multiple part number RoHS Certificate of Compliance, [click here](#)

Please visit the [Contact Us](#) section for any non-product compliance questions.

**Search Parts in this Series**

74979Series

**Mates With**

74880 VHDMHSD Daughtercard. [74886](#)  
 VHDMHSD Hybrid Daughtercard

**Application Tooling | FAQ**

*Tooling specifications and manuals are found by selecting the products below. Crimp Height Specifications are then contained in the Application Tooling Specification document.*

**Global**

Description	Product #
VHDM® Signal Pin	<a href="#">0622015700</a>
Insert Repair Tool	
VHDM-HSD™ Signal Header, 6 Row by 25 Wide, 50.00mm (1.97")	<a href="#">0622020217</a>

Data Rate	5.0 Gbps
Real Signals (per 25mm)	48
Voltage - Maximum	120V AC (RMS)/DC

### **Material Info**

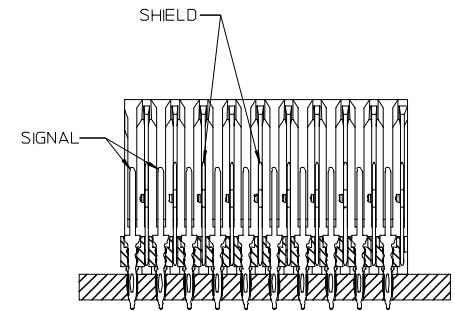
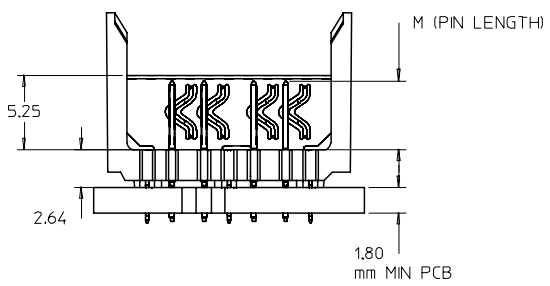
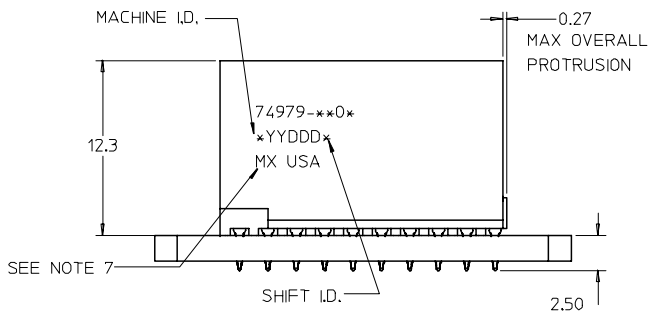
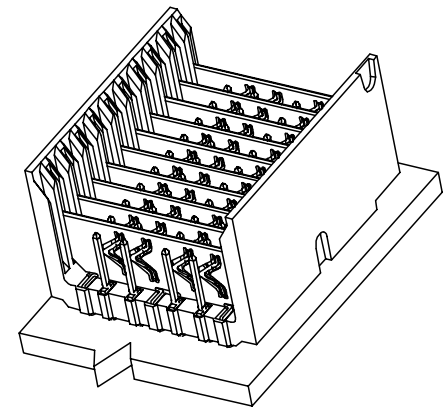
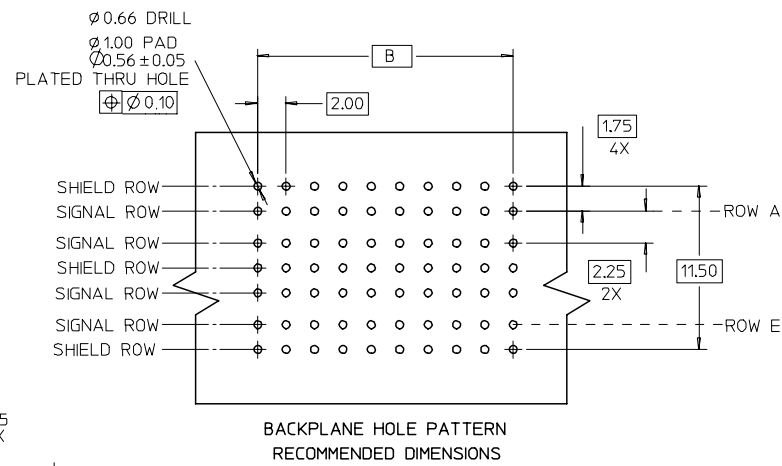
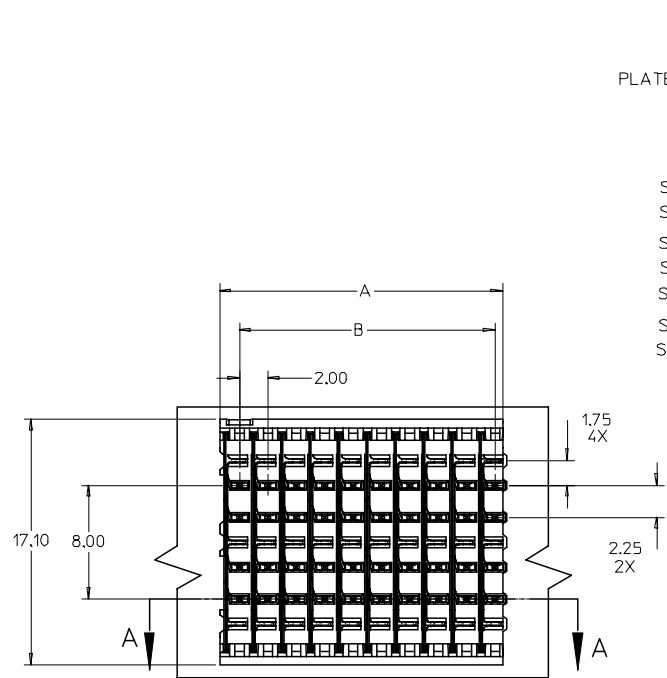
### **Reference - Drawing Numbers**

Packaging Specification	PK-74057-003
Product Specification	PS-74031-999
Sales Drawing	SD-74979-010

VHDM-HSD is a trademark of Amphenol Corporation

This document was generated on 05/28/2010

**PLEASE CHECK [WWW.MOLEX.COM](http://WWW.MOLEX.COM) FOR LATEST PART INFORMATION**

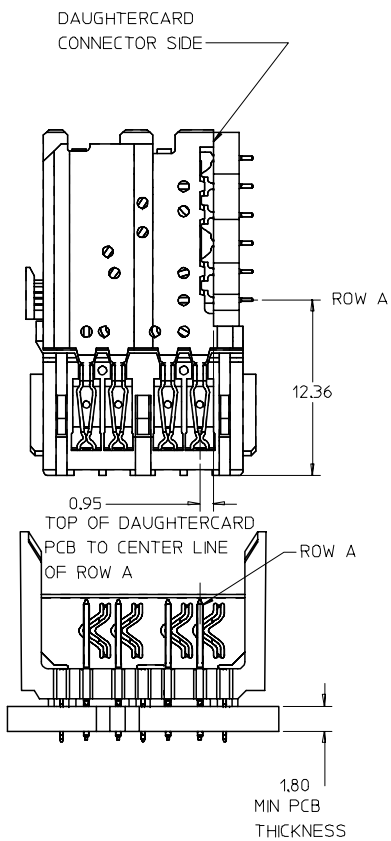
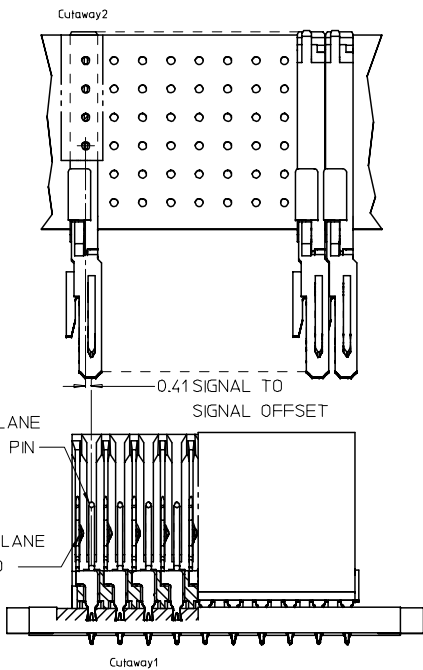


SECTION A-A  
ROTATED 180°

- NOTES:
- MATERIAL: HOUSING - LIQUID CRYSTAL POLYMER (LCP) GLASS-FILLED. UL 94V-0. COLOR - BLACK. SIGNAL AND SHIELD - HIGH PERFORMANCE COPPER ALLOY.
  - FINISHES:  
CONTACT AREA: SELECTIVE GOLD (Au)  
PCB TAILS: SELECTIVE TIN/LEAD (Sn/Pb) OR SELECTIVE MATTE TIN (Sn) NICKEL (Ni) OVERALL.
  - THIS PART CONFORMS TO MOLEX PRODUCT SPECIFICATION PS-74031-999.
  - FOR MIXED CONTACT MATING LENGTHS CONSULT MOLEX FOR AVAILABILITY.
  - FOR SPECIFIC PART NUMBER AND MATING INFORMATION REFER TO SHEET 2.
  - PACKAGE PER PK-74057-003 FOR 10 & 25 COLUMN. PACKAGE PER PK-70873-0934 FOR THE 9 COLUMN CONNECTOR.
  - EITHER MARK PART NUMBER AND DATE CODE APPROXIMATELY WHERE SHOWN OR PLACE LABEL ON TUBE.

ADD LEADFREE PINS EC NO: UCP2006-0067 DRW: KMULVEY 2005/07/15 CHKD: 2005/07/18 APPR: SREED 2005/08/11	DESCRIPTION	QUALITY SYMBOLS	GENERAL TOLERANCES (UNLESS SPECIFIED)		SCALE 4:1	DESIGN UNITS METRIC	THIRD ANGLE PROJECTION	REVISE ON CAD ONLY	
		▽ = 0 ∇ = 0		mm	INCH	DIMENSION STYLE MM ONLY		TITLE	
			4 PLACES ± --- ± ---			DRAWN BY NMARTIN	DATE 2002/05/03	HSD SALES ASSEMBLY	
			3 PLACES ± --- ± ---			CHECKED BY SREED	DATE 2002/05/03	6 ROW OPEN END BACKPLANE	
			2 PLACES ± --- ± ---			MOLEX INCORPORATED			
			1 PLACE ± --- ± ---			MATERIAL NO. DOCUMENT NO. SHEET NO.			
			ANGULAR ± --- °		APPROVED BY CBIXLER	DATE 2002/05/03	SEE SHEET 2	SD-74979-010 1 OF 2	
			DRAFT WHERE APPLICABLE		THIS DRAWING CONTAINS INFORMATION THAT IS PROPRIETARY TO MOLEX INCORPORATED AND SHOULD NOT BE USED WITHOUT WRITTEN PERMISSION				
			MUST REMAIN WITHIN DIMENSIONS						

J  
I  
H  
G  
F  
E  
D  
C  
B  
A



PART NUMBER	COLUMN	NUMBER OF SIGNAL PINS	NUMBER OF SHIELDS	A	B	M	Au (um) MIN THICKNESS	Sn (um) THICKNESS
74979-x901	9	36	9	18.00	16.00	4.75	0.76	0.76-152
74979-x906							1.27	
74979-x001	10	40	10	20.00	18.00		0.76	
74979-x006							1.27	
74979-x501	25	100	25	50.00	48.00	0.76		
74979-x506						1.27		
74979-x902	9	36	9	18.00	16.00	6.25	0.76	
74979-x907							1.27	
74979-x002	10	40	10	20.00	18.00		0.76	
74979-x007							1.27	
74979-x502	25	100	25	50.00	48.00	0.76		
74979-x507						1.27		
74979-x903	9	36	9	18.00	16.00	4.25	0.76	
74979-x908							1.27	
74979-x003	10	40	10	20.00	18.00		0.76	
74979-x008							1.27	
74979-x503	25	100	25	50.00	48.00	0.76		
74979-x508						1.27		
74979-x904	9	36	9	18.00	16.00	5.15	0.76	
74979-x909							1.27	
74979-x004	10	40	10	20.00	18.00		0.76	
74979-x009							1.27	
74979-x504	25	100	25	50.00	48.00	0.76		
74979-x509						1.27		

MATERIAL NUMBER ASSIGNMENT

74979-\*\* \*\*  
 SEE TABLE  
 NUMBER OF COLUMNS/PLATING  
 10 = 10 COLUMN TIN/LEAD  
 25 = 25 COLUMN TIN/LEAD  
 09 = 9 COLUMN TIN/LEAD  
 90 = 10 COLUMN MATTE TIN  
 85 = 25 COLUMN MATTE TIN  
 99 = 9 COLUMN MATTE TIN

SEE SHEET 1 EC NO: UCP2006-0067 DRWN: KMULVEY 2005/07/15 CHKD: 2005/07/18 APPR: SREED 2005/08/11	QUALITY SYMBOLS	GENERAL TOLERANCES (UNLESS SPECIFIED)	SCALE 4:1	DESIGN UNITS METRIC	THIRD ANGLE PROJECTION	REVISE ON CAD ONLY	
	DESCRIPTION	mm INCH	DIMENSION STYLE MM ONLY		TITLE		
	▽=0 ∇=0	4 PLACES ± --- ± --- 3 PLACES ± --- ± --- 2 PLACES ± --- ± --- 1 PLACE ± --- ± --- ANGULAR ± ---°	DRAWN BY DATE NMARTIN 2002/05/03 CHECKED BY DATE SREED 2002/05/03 APPROVED BY DATE CBIXLER 2002/05/03	HSD SALES ASSEMBLY 6 ROW OPEN END BACKPLANE		MOLEX INCORPORATED	
	DRAFT WHERE APPLICABLE MUST REMAIN WITHIN DIMENSIONS	THIS DRAWING CONTAINS INFORMATION THAT IS PROPRIETARY TO MOLEX INCORPORATED AND SHOULD NOT BE USED WITHOUT WRITTEN PERMISSION		MATERIAL NO. SEE TABLE DOCUMENT NO. SD-74979-010 SHEET NO. 2 OF 2			