

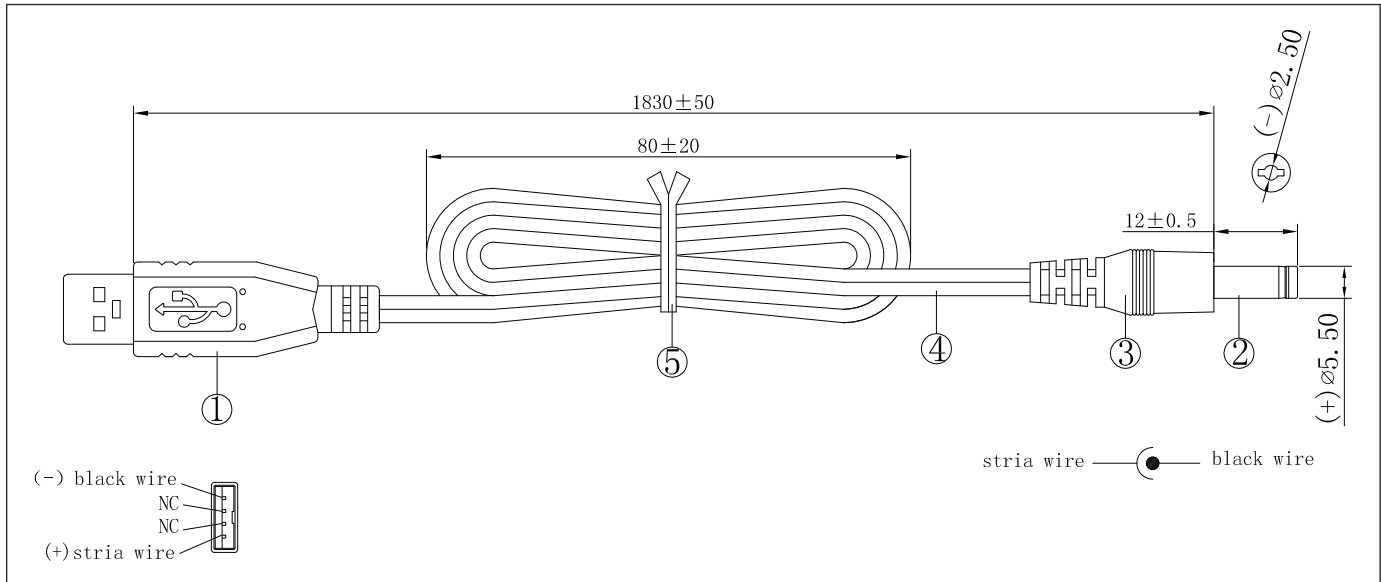
### Specifications:

|                       |  |
|-----------------------|--|
| plug description (1)  | USB-A plug; inner mold: 30P, PVC, black; outer mold: 60P, PVC, black                   |
| plug description (2)  | dc plug, 5.5x2.5x123 mm, molding style, spring contacts, black insulator, P/N 50-00026 |
| plug overmold (3)     | 30P, PVC, black, UL94V0  |
| cable description (4) | UL2468, 0.16 x 17 strands, 2 conductor, twin wire                                      |
| cable outer diameter  | Ø3.6 (1.8 x 2) ± 0.1 mm  |
| cable color           | black  |
| cable gauge           | AWG #22  |
| cable length          | 1830 ± 50  |
| twist tie (5)         | black, 89 ± 3  |
| rated load            | 1 A at 5 Vdc   |

### Notes:

Function test: no open, no reversed polarity, no short circuit, no INT  
 Hi-POT test: 600 Vac, 0.5 mA, 1 sec.  
 RoHS compliant

### Mechanical drawing:



Initial

Date

tolerance X: ±0.5 mm .X: ±0.3 mm .XX: ±0.05 mm

**Revision notes:**

| Rev | Date              | Description     |
|-----|-------------------|-----------------|
| A   | November 10, 2009 | initial release |
|     |                   |                 |
|     |                   |                 |
|     |                   |                 |
|     |                   |                 |

**Specification Approval**

Spec sign-off verifies that you have reviewed the entire specification, tested a sample of the product, and confirm that it meets your requirements. This specification reflects the part as it will be ordered. Orders will not be processed until the specification pages have been initialed and the approval page has been signed. This specification is confidential and is not to be transmitted without prior approval from Tensility.

Signature \_\_\_\_\_

Title \_\_\_\_\_

Name \_\_\_\_\_

Date \_\_\_\_\_