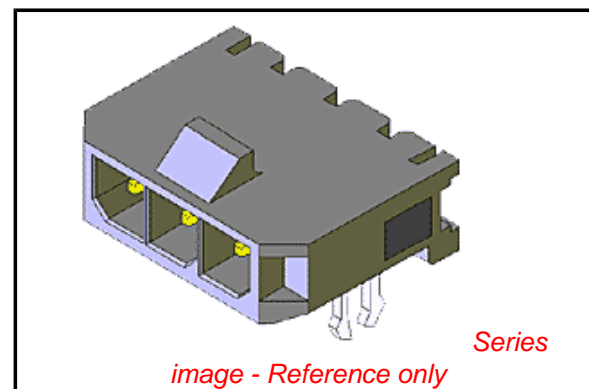


**PLEASE CHECK WWW.MOLEX.COM FOR LATEST PART INFORMATION**

**Part Number:** [0436500903](#)  
**Status:** **Active**  
**Overview:** [microfit\\_30](#)  
**Description:** 3.00mm (.118") Pitch Micro-Fit 3.0™ Header, Surface Mount Compatible, Single Row, Right Angle, with Press-fit Metal Retention Clip, 9 Circuits, Tin (Sn) Plating, Glow Wire Compatible

**Documents:**

|   |  |
|---|--|
| <a href="#">3D Model</a>                      | <a href="#">Product Specification PS-43650 (PDF)</a> |
| <a href="#">Drawing (PDF)</a>                 | <a href="#">RoHS Certificate of Compliance (PDF)</a> |
| <a href="#">Packaging Specification (PDF)</a> |  |



**Agency Certification**

|     |           |
|-----|-----------|
| CSA | LR19980   |
| TUV | R72081037 |
| UL  | E29179    |

**General**

|                             |   |
|-----------------------------|---|
| Product Family              | PCB Headers                             |
| Series                      | <a href="#">43650</a>                   |
| Application                 | Wire-to-Board                           |
| Comments                    | High Temperature Square Pin Solder Type |
| Overview                    | <a href="#">microfit_30</a>             |
| Product Literature Order No | USA-106                                 |
| Product Name                | Micro-Fit 3.0™                          |

**Physical**

|                                |                                |
|--------------------------------|--------------------------------|
| Breakaway                      | No                             |
| Circuits (Loaded)              | 9                              |
| Circuits (maximum)             | 9                              |
| Color - Resin                  | Black                          |
| Durability (mating cycles max) | 30                             |
| Flammability                   | 94V-0                          |
| Glow-Wire Compliant            | Yes                            |
| Mated Height (in)              | 0.275 In                       |
| Mated Height (mm)              | 6.98 mm                        |
| Material - Metal               | Brass                          |
| Material - Plating Mating      | Tin                            |
| Material - Plating Termination | Tin                            |
| Material - Resin               | High Temperature Thermoplastic |
| Number of Rows                 | 1                              |
| Orientation                    | Right Angle                    |
| PCB Locator                    | Yes                            |
| PCB Retention                  | Yes                            |
| PCB Thickness Recommended (in) | 0.062 In                       |
| PCB Thickness Recommended (mm) | 1.60 mm                        |
| Packaging Type                 | Tray                           |
| Pitch - Mating Interface (in)  | 0.118 In                       |
| Pitch - Mating Interface (mm)  | 3.00 mm                        |
| Plating min: Mating (µin)      | 100                            |
| Plating min: Mating (µm)       | 2.50                           |
| Plating min: Termination (µin) | 100                            |
| Plating min: Termination (µm)  | 2.50                           |
| Polarized to PCB               | Yes                            |
| Shrouded                       | Fully                          |
| Stackable                      | No                             |

**EU RoHS**

**ELV and RoHS Compliant**  
**REACH SVHC**  
**Contains SVHC: No**  
**Halogen-Free**  
**Status**  
**Not Reviewed**

**China RoHS**



**Need more information on product environmental compliance?**

Email [productcompliance@molex.com](mailto:productcompliance@molex.com)  
 For a multiple part number RoHS Certificate of Compliance, [click here](#)

Please visit the [Contact Us](#) section for any non-product compliance questions.

**Search Parts in this Series**

[43650Series](#)

**Mates With**

[43645 Micro-Fit 3.0™ Receptacle Housing](#)

|                                |                 |
|--------------------------------|-----------------|
| Surface Mount Compatible (SMC) | Yes             |
| Temperature Range - Operating  | -40°C to +105°C |
| Termination Interface: Style   | Through Hole    |

### **Electrical**

|                               |      |
|-------------------------------|------|
| Current - Maximum per Contact | 5A   |
| Voltage - Maximum             | 250V |

### **Solder Process Data**

|  |                              |
|--|------------------------------|
| Duration at Max. Process Temperature (seconds) | 30                           |
| Lead-free Process Capability                   | SMC & Wave Capable (TH only) |
| Max. Cycles at Max. Process Temperature        | 3                            |
| Process Temperature max. C                     | 260                          |

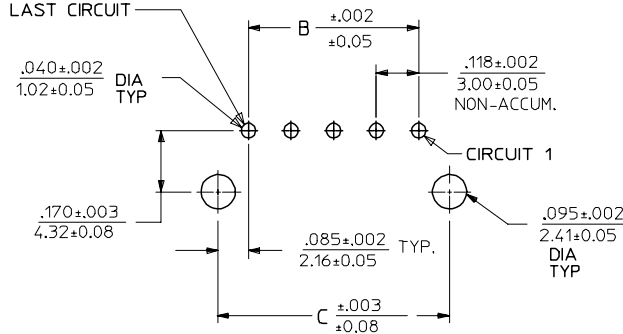
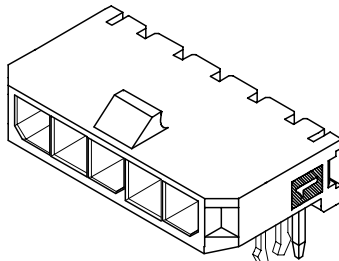
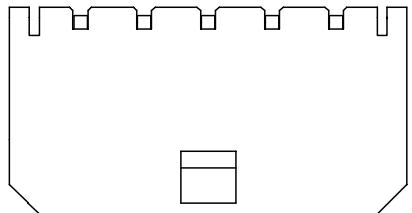
### **Material Info**

#### **Reference - Drawing Numbers**

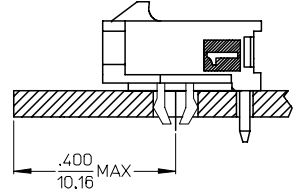
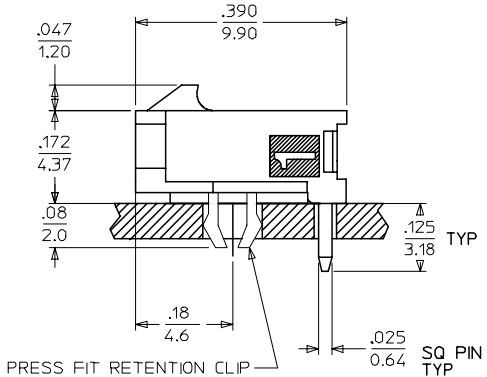
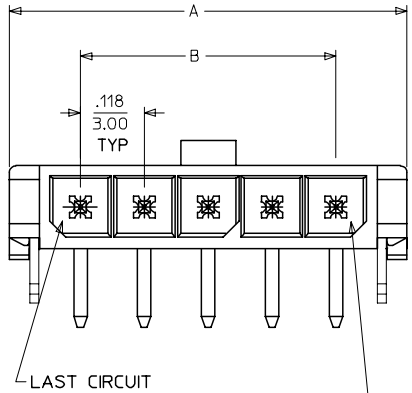
|                         |               |
|-------------------------|---------------|
| Packaging Specification | PK-70873-0321 |
| Product Specification   | PS-43650      |
| Sales Drawing           | SD-43650-002  |

This document was generated on 05/24/2010

**PLEASE CHECK [WWW.MOLEX.COM](http://WWW.MOLEX.COM) FOR LATEST PART INFORMATION**

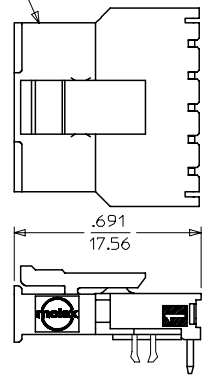


PCB LAYOUT: COMPONENT SIDE  
RECOMMENDED PCB THICKNESS: .062/157



LOCATION DETAIL  
SEE NOTE #6

RECEPTACLE #43645



MATED MICRO FIT CONNECTOR

| CKTS | DIM A          | DIM B          | DIM C          |
|------|----------------|----------------|----------------|
| 2    | .380<br>9.65   | .118<br>3.00   | .287<br>7.30   |
| 3    | .498<br>12.65  | .236<br>6.00   | .405<br>10.30  |
| 4    | .616<br>15.65  | .354<br>9.00   | .524<br>13.30  |
| 5    | .734<br>18.64  | .472<br>12.00  | .642<br>16.30  |
| 6    | .852<br>21.64  | .591<br>15.00  | .760<br>19.30  |
| 7    | .970<br>24.64  | .709<br>18.00  | .878<br>22.30  |
| 8    | 1.088<br>27.64 | .827<br>21.00  | .996<br>25.30  |
| 9    | 1.206<br>30.63 | .945<br>24.00  | 1.114<br>28.30 |
| 10   | 1.325<br>33.66 | 1.063<br>27.00 | 1.232<br>31.30 |
| 11   | 1.443<br>36.65 | 1.181<br>30.00 | 1.350<br>34.30 |
| 12   | 1.561<br>39.65 | 1.299<br>33.00 | 1.469<br>37.30 |

NOTES:

- HOUSING MATERIAL: LIQUID CRYSTAL POLYMER, GLASS FILLED, UL94V-0, COLOR: BLACK  
TERMINAL MATERIAL: BRASS ALLOY
- FINISH:  
A = .000100/(0.00254) MIN. BRIGHT TIN OVER  
.000050/(0.00127) MIN. NICKEL  
B = .000015/(0.00038) MIN. SELECT GOLD IN CONTACT AREA  
.000100/(0.00254) MIN. SELECT MATTE TIN ON SOLDER TAILS  
BOTH OVER .000050/(0.00127) NICKEL OVERALL  
C = .000030/(0.00076) MIN. SELECT GOLD IN CONTACT AREA  
.000100/(0.00254) MIN. SELECT MATTE TIN ON SOLDER TAILS  
BOTH OVER .000050/(0.00127) NICKEL OVERALL  
\* THE PRIMARY SHIPPING CARTON WILL BE LABELED "COMPLIANT TO RoHS DIRECTIVE 2002/95/EC AND ELV ANNEX II OF DIRECTIVE 2000/53/EC." CARTONS WITHOUT THIS LABEL MAY CONTAIN PRODUCT WITH TIN/LEAD IN THE PC TAIL AREA.
- PRODUCT SPECIFICATION: PS-43650
- TRAY PACKAGED : SEE MOLEX DRAWING PK-70873-0321
- MATES WITH MICRO FIT (3.0) RECEPTACLE SERIES 43645
- TO AVOID INTERFERENCE BETWEEN RECEPTACLE AND PCB, HEADER MUST BE PLACED WITHIN .400/(10.16) MAX. FROM EDGE OF PCB, AS SHOWN IN LOCATION DETAIL.
- A HIGHER TEMPERATURE GRADE MATERIAL (260C MAX. REFLOW TEMPERATURE) IS BEING PHASED-IN BEGINNING AUGUST 2007. PARTS WILL BE TEMPORARILY IDENTIFIED WITH A BLUE DOT ON THE PRIMARY SHIPPING CARTON LABEL UNTIL ALL CIRCUIT SIZES ARE CONVERTED, AT WHICH TIME A FULL-CONVERSION DATE WILL BE IDENTIFIED IN PS-43650.

|      | FINISH A     | FINISH B     | FINISH C     |
|------|--------------|--------------|--------------|
| CKTS | MATERIAL NO: | MATERIAL NO: | MATERIAL NO: |
| 02   | 43650-0203   | 43650-0204   | 43650-0205   |
| 03   | 43650-0303   | 43650-0304   | 43650-0305   |
| 04   | 43650-0403   | 43650-0404   | 43650-0405   |
| 05   | 43650-0503   | 43650-0504   | 43650-0505   |
| 06   | 43650-0603   | 43650-0604   | 43650-0605   |
| 07   | 43650-0703   | 43650-0704   | 43650-0705   |
| 08   | 43650-0803   | 43650-0804   | 43650-0805   |
| 09   | 43650-0903   | 43650-0904   | 43650-0905   |
| 10   | 43650-1003   | 43650-1004   | 43650-1005   |
| 11   | 43650-1103   | 43650-1104   | 43650-1105   |
| 12   | 43650-1203   | 43650-1204   | 43650-1205   |

|   |  |  |   |   |  |                     |
|---|--|--|---|---|--|---------------------|
| ADD NOTES 6 & 7<br>EC NO: UCP2008-0037<br>DRAWN: KIPPER 2007/09/06<br>CHKD: SSOUSEK 2007/09/11<br>APPR: FSM TH 2007/09/12 | QUALITY SYMBOLS<br>▽=0<br>▽=0                        | GENERAL TOLERANCES (UNLESS SPECIFIED)<br>mm INCH<br>4 PLACES ± --- ± ---<br>3 PLACES ± --- ± .010<br>2 PLACES ± 0.25 ± .014<br>1 PLACE ± 0.36 ± ---<br>ANGULAR ±1/2° | DIMENSION STYLE<br>IN/MM<br>DRAWN BY: SAMIEC DATE: 2000/07/07<br>CHECKED BY: MUELLER DATE: 2000/07/07<br>APPROVED BY: EDGLEY DATE: 2000/07/07 | SCALE: ---<br>DESIGN UNITS: METRIC<br>THIRD ANGLE PROJECTION  | MICRO FIT (3.0)<br>SINGLE ROW / RIGHT ANGLE<br>THRU HOLE / CLIPS / TRAY<br>MOLEX INCORPORATED<br>MATERIAL NO. SD-43650-002<br>DOCUMENT NO. | SHEET NO.<br>1 OF 1 |
|   | DRAFT WHERE APPLICABLE MUST REMAIN WITHIN DIMENSIONS |  | SEE CHART   | THIS DRAWING CONTAINS INFORMATION THAT IS PROPRIETARY TO MOLEX INCORPORATED AND SHOULD NOT BE USED WITHOUT WRITTEN PERMISSION |  |                     |
|   |  |  | SIZE: C   |   |  |                     |
|   |  |  |   |   |  |                     |