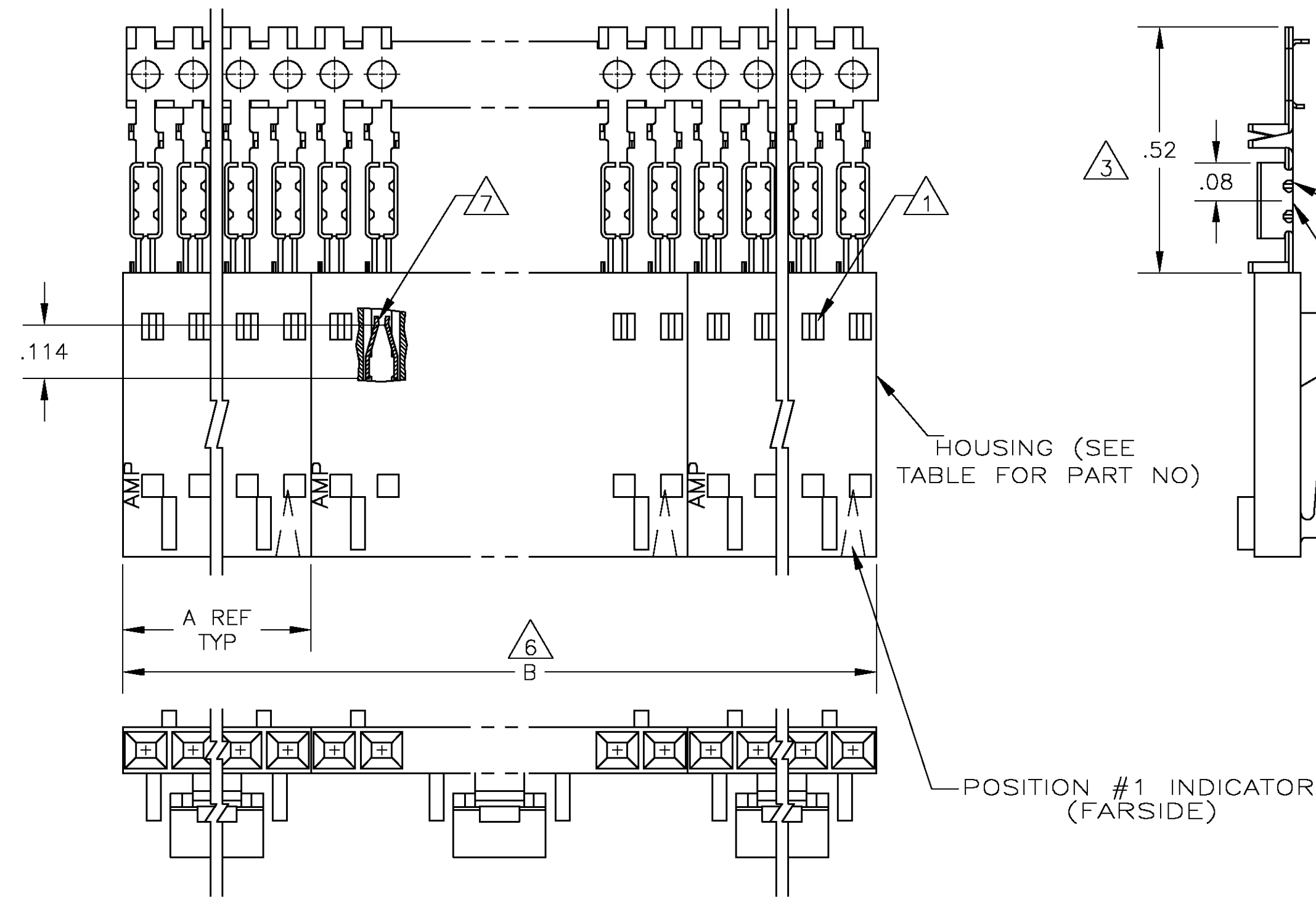
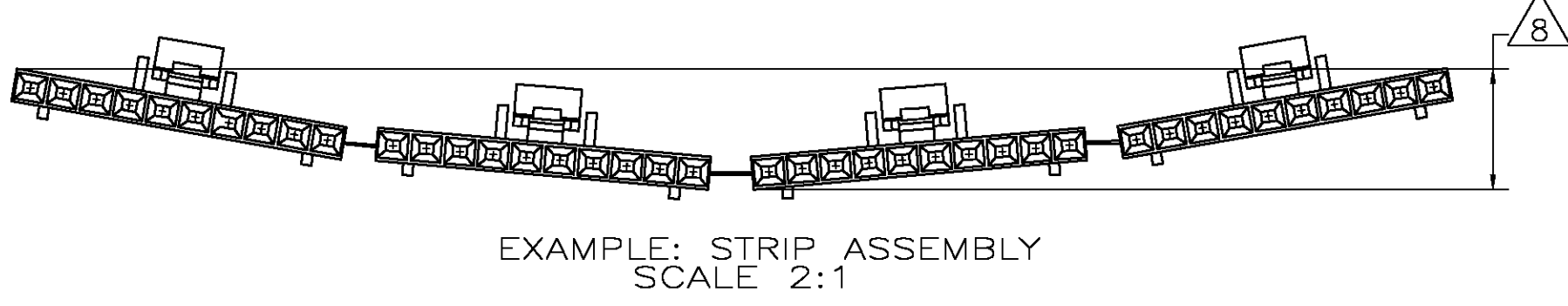


THIS DRAWING IS UNPUBLISHED. RELEASED FOR PUBLICATION
 © COPYRIGHT BY TYCO ELECTRONICS CORPORATION. ALL RIGHTS RESERVED.

| | | | | | | | |
|-----|------|----------|-----|-----------------|---------|-----|------|
| LOC | DIST | REVISONS | | | | | |
| AD | 00 | P | LTR | DESCRIPTION | DATE | DWN | APVD |
| | | P | | EC 0G3C 0734 04 | 15DEC04 | BSV | JG |



CONTACT IDENTIFICATION LETTER "B" (LOCATED IN THIS AREA)



| | | | | | | |
|---------|----|------|-------|---------------------|------------|-------------------------------|
| 12 | 2 | 2.40 | 1.198 | 1-104257-1 | 12 | 6-103956-1 |
| 12 | 2 | 2.20 | 1.098 | 1-104257-0 | 11 | 6-103956-0 |
| 12 | 2 | 2.00 | .998 | 104257-9 | 10 | 5-103956-9 |
| 12 | 2 | 1.80 | .898 | 104257-8 | 9 | 5-103956-8 |
| 12 | 2 | 1.60 | .798 | 104257-7 | 8 | 5-103956-7 |
| 12 | 2 | 1.40 | .698 | 104257-6 | 7 | 5-103956-6 |
| 12 | 4 | 2.39 | .598 | 104257-5 | 6 | 5-103956-5 |
| 12 | 4 | 1.99 | .498 | 104257-4 | 5 | 5-103956-4 |
| 12 | 5 | 1.99 | .398 | 104257-3 | 4 | 5-103956-3 |
| 12 | 8 | 2.40 | .298 | 104257-2 | 3 | 5-103956-2 |
| 12 | 10 | 2.00 | .198 | 104257-1 | 2 | 5-103956-1 |
| 11 | 10 | 2 | 1.40 | 104257-6 | 7 | 1-103956-8 |
| 11 | 10 | 2 | 1.60 | 104257-7 | 8 | 1-103956-7 |
| 11 | 10 | 4 | 2.39 | 104257-5 | 6 | 1-103956-6 |
| 11 | 10 | 4 | 1.99 | 104257-4 | 5 | 1-103956-5 |
| 11 | 10 | 5 | 1.99 | 104257-3 | 4 | 1-103956-4 |
| 11 | 10 | 8 | 2.40 | 104257-2 | 3 | 1-103956-3 |
| 11 | 10 | 10 | 2.00 | 104257-1 | 2 | 1-103956-2 |
| 9 | 2 | 2.40 | 1.198 | 1-104257-1 | 12 | 1-103956-1 |
| 9 | 2 | 2.20 | 1.098 | 1-104257-0 | 11 | 1-103956-0 |
| 9 | 2 | 2.00 | .998 | 104257-9 | 10 | 103956-9 |
| 9 | 2 | 1.80 | .898 | 104257-8 | 9 | 103956-8 |
| 9 | 2 | 1.60 | .798 | 104257-7 | 8 | 103956-7 |
| 9 | 2 | 1.40 | .698 | 104257-6 | 7 | 103956-6 |
| 9 | 4 | 2.39 | .598 | 104257-5 | 6 | 103956-5 |
| 9 | 4 | 1.99 | .498 | 104257-4 | 5 | 103956-4 |
| 9 | 5 | 1.99 | .398 | 104257-3 | 4 | 103956-3 |
| 9 | 8 | 2.40 | .298 | 104257-2 | 3 | 103956-2 |
| 9 | 10 | 2.00 | .198 | 104257-1 | 2 | 103956-1 |
| PLATING | 6 | B | A | HOUSING PART NUMBER | NO OF POSN | ASSEMBLY PART NUMBER ON STRIP |

- 1 CONTACTS ARE LATCHED INTO THE PRELOAD WINDOWS.
- 2 USE WITH #22-#26 AWG WIRE SIZE, .054/.030 INSULATION DIAMETER, .015 MAXIMUM INSULATION THICKNESS.
- 3 THE DIMENSION APPLIES WITH THE FORWARD PRELOAD STOP IN CONTACT WITH THE HOUSING SURFACE.
- 4 POINT OF MEASUREMENT FOR PLATING THICKNESS.
- 5 FOR INDIVIDUAL ASSEMBLIES SEE PART NUMBER 103645.
- 6 ASSEMBLIES ARE JOINED BY THE CARRIER STRIP. ORDER QUANTITY REFLECTS TOTAL NUMBER OF INDIVIDUAL ASSEMBLIES REQUIRED. SEE TABLE FOR NUMBER OF ASSEMBLIES PER STRIP.
- 7 POINT OF MEASUREMENT FOR PLATING THICKNESS (INSIDE BEAMS)
- 8 MAXIMUM ALLOWABLE BOW OF ASSEMBLY NOT TO EXCEED .055.
- 9 .000100-.000200 BRIGHT TIN-LEAD OVER .000050 NICKEL.
- 10 .000100-.000200 BRIGHT TIN OVER .000050 NICKEL.
- 11 PRELIMINARY PART - NOT RELEASED FOR PRODUCTION.
- 12 .000100-.000200 MATTE TIN OVER .000050 NICKEL.

THIS DRAWING IS A CONTROLLED DOCUMENT.

| | | |
|------|-----------|----------|
| DWN | L A MAYER | 11-4-86 |
| CHK | P de Jong | 11-12-86 |
| APVD | P de Jong | 11-12-86 |

NAME: RCPT ASSY, AMPMODU MTE, SINGLE ROW, .100 C/L, LATCHED & POLARIZED, FOR #22-#26 AWG WIRE SIZE, STRIP FORM

SIZE: A2 CAGE CODE: 00779 DRAWING NO: 103956 RESTRICTED TO: -

SCALE: 4:1 SHEET: 1 OF 1 REV: P