

PLEASE CHECK WWW.MOLEX.COM FOR LATEST PART INFORMATION

Part Number: [0736510233](#)
Status: **Active**
Overview: [hdm](#)
Description: 2.00mm (.079") Pitch HDM® Board-to-Board Daughterboard Power Module, Right Angle, SMC, 3-Blade Module, 3 Circuits

Documents:

[3D Model](#) [Packaging Specification \(PDF\)](#)
[Drawing \(PDF\)](#) [RoHS Certificate of Compliance \(PDF\)](#)

Agency Certification

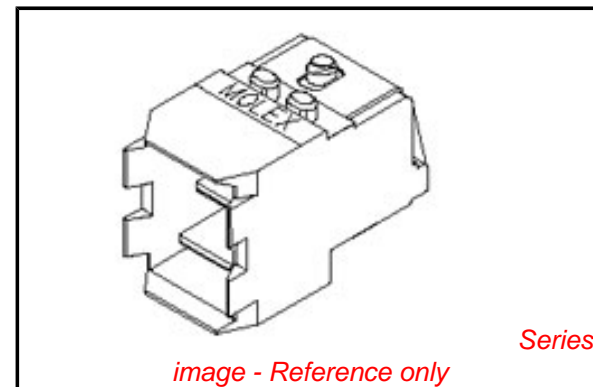
CSA LR19980
 UL E29179

General

Product Family Backplane Connectors
 Series [73651](#)
 Application Daughtercard
 Component Type Power Receptacle
 Overview [hdm](#)
 Product Name HDM®
 Style N/A

Physical

Circuits (Loaded) 3
 Circuits (maximum) 3
 Color - Resin Black
 Durability (mating cycles max) 250
 First Mate / Last Break No
 Flammability 94V-0
 Guide to Mating Part No
 Keying to Mating Part None
 Material - Metal High Performance Alloy (HPA)
 Material - Plating Mating Gold
 Material - Plating Termination Tin
 Material - Resin High Temperature Thermoplastic
 Number of Columns 1
 Number of Pairs Open Pin Field
 Number of Rows 3
 Orientation Right Angle
 PC Tail Length (in) 0.079 In
 PC Tail Length (mm) 2.00 mm
 PCB Locator Yes
 PCB Retention None
 PCB Thickness Recommended (in) 0.062 In
 PCB Thickness Recommended (mm) 1.60 mm
 Packaging Type Tube
 Pitch - Mating Interface (in) 0.157 In
 Pitch - Mating Interface (mm) 4.00 mm
 Pitch - Term. Interface (in) 0.118 In
 Pitch - Term. Interface (mm) 3.00 mm
 Plating min: Mating (µin) 30
 Plating min: Mating (µm) 0.75
 Plating min: Termination (µin) 100
 Plating min: Termination (µm) 2.5
 Polarized to PCB No



EU RoHS

**ELV and RoHS
 Compliant**
**REACH SVHC
 Contains SVHC: No**
**Halogen-Free
 Status**

China RoHS



**Need more information on product
 environmental compliance?**

Email productcompliance@molex.com
 For a multiple part number RoHS Certificate of Compliance, [click here](#)

Please visit the [Contact Us](#) section for any non-product compliance questions.

Search Parts in this Series

[73651Series](#)

Mates With

[73656 HDM® Board-to-Board Backplane Power Module](#)

Stackable	No
Surface Mount Compatible (SMC)	No
Temperature Range - Operating	-55°C to +105°C
Termination Interface: Style	Through Hole

Electrical

Current - Maximum per Contact	15A
Data Rate	1.0 Gbps
Real Signals (per 25mm)	19
Shielded	No
Voltage - Maximum	500V

Material Info

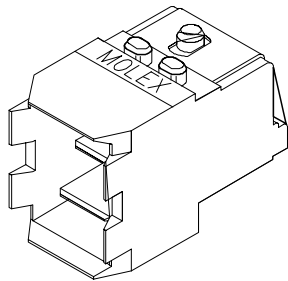
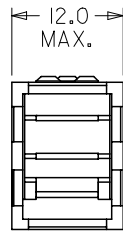
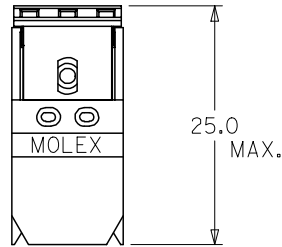
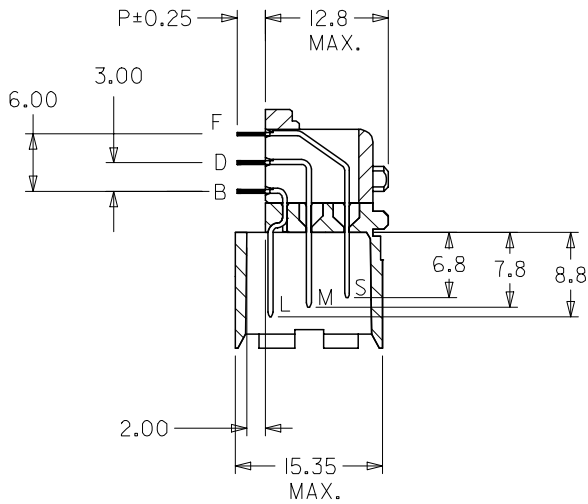
Reference - Drawing Numbers

Packaging Specification	PK-70873-0820
Sales Drawing	SDA-73651-****

HDM and High Density Metric are trademarks of Amphenol Corporation

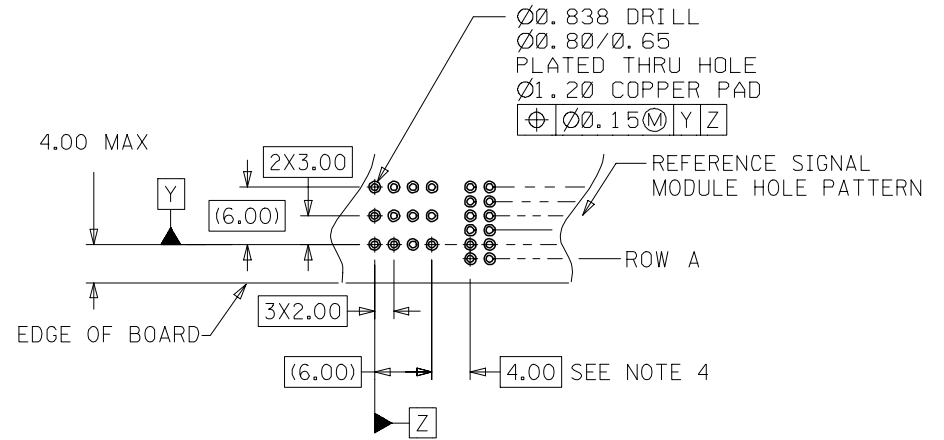
This document was generated on 05/14/2010

PLEASE CHECK WWW.MOLEX.COM FOR LATEST PART INFORMATION



NOTES:

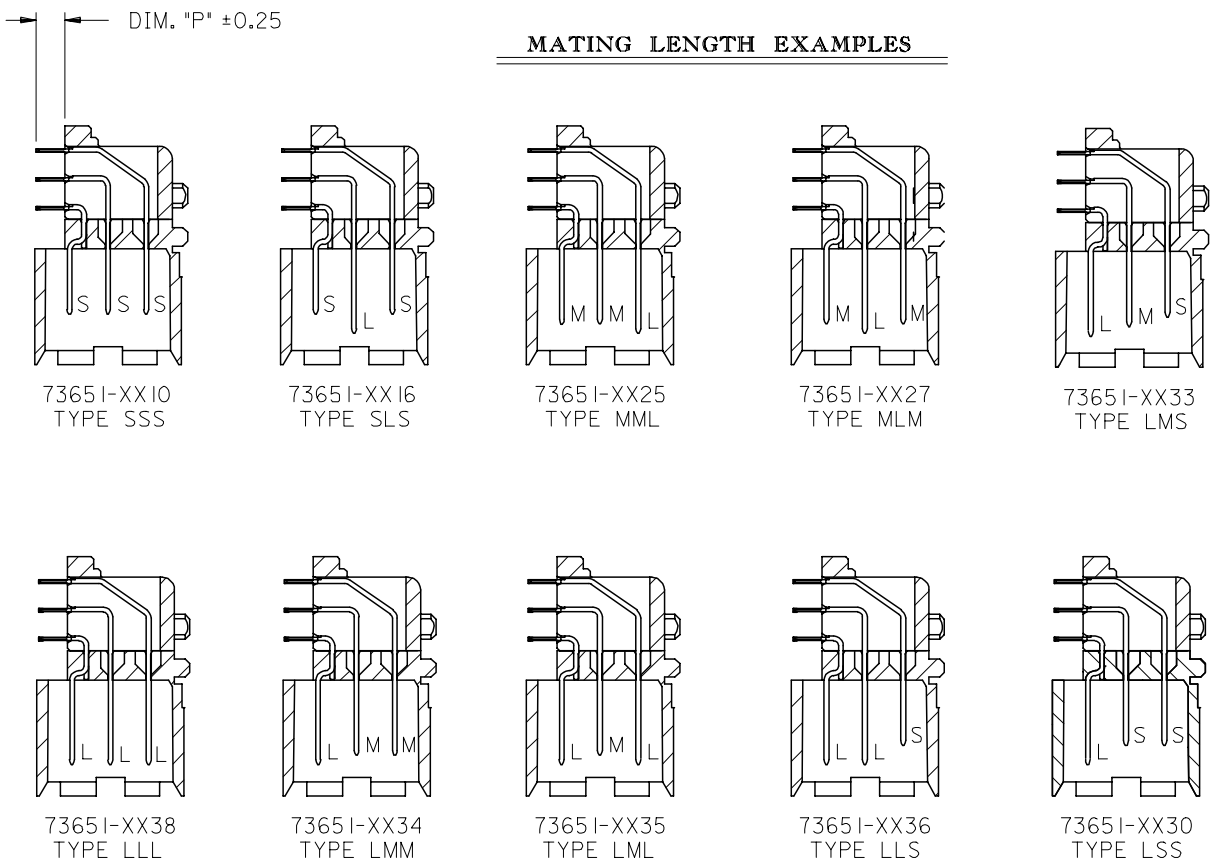
1. MATERIALS:
HOUSING - LIQUID CRYSTAL POLYMER (LCP), GLASS-FILLED, UL 94V-0, COLOR BLACK
TERMINAL - COPPER ALLOY
2. FINISH:
ASSEMBLIES WITH PRESSFIT TAILS:
0.76 MINIMUM SELECTIVE GOLD (Au) IN CONTACT AREA,
SELECTIVE TIN/LEAD (Sn/Pb) ON PC TAILS
OVER NICKEL (Ni) UNDERPLATE OVERALL.
ASSEMBLIES WITH SOLDER TAILS:
0.76 MINIMUM SELECTIVE GOLD (Au) IN CONTACT AREA,
SELECTIVE TIN (Sn) ON PC TAILS
OVER NICKEL (Ni) UNDERPLATE OVERALL.
3. THIS PART CONFORMS TO MOLEX PRODUCT SPECIFICATION PS-73670-9999.
4. THIS DIMENSION MUST BE A MULTIPLE OF 4.00mm.
5. DIMENSIONS ARE IN MILLIMETERS AND ARE FOR LAYOUT PURPOSES ONLY.
6. DIMENSIONS AND TOLERANCES SUBJECT TO CHANGE WITHOUT NOTICE.



PCB LAYOUT: COMPONENT SIDE
RECOMMENDED PCB THICKNESS: 1.60 MIN
(FOR SOLDER TAIL AND PRESS FIT)

MODIFY FINISH EC NO: UCP2007-1348 TDRWNMSIBARRA 2006/12/29 CHKD:BBARKER 2007/01/04 APPR:SMILLER 2007/01/05	QUALITY SYMBOLS ▽=0 ▽=0	GENERAL TOLERANCES (UNLESS SPECIFIED)		DIMENSION STYLE MM ONLY		SCALE 2:1	DESIGN UNITS METRIC	THIRD ANGLE PROJECTION	
			mm	INCH	DRAWN BY JRP	DATE 199/07/22	TITLE SALES ASSEMBLY HDM DAUGHTERCARD POWER MODULE		
		4 PLACES ± --- ± ---	3 PLACES ± --- ± ---	CHECKED BY PAR	DATE 1996/07/22				
			2 PLACES ± 0.10 ± ---	1 PLACE ± 0.25 ± ---	APPROVED BY CAB	DATE 1996/07/22	MOLEX INCORPORATED		
	ANGULAR ±1/2°		MATERIAL NO. SEE SHEET 2	DOCUMENT NO. SDA-73651-****	SHEET NO. 1 OF 2				
	DRAFT WHERE APPLICABLE MUST REMAIN WITHIN DIMENSIONS		THIS DRAWING CONTAINS INFORMATION THAT IS PROPRIETARY TO MOLEX INCORPORATED AND SHOULD NOT BE USED WITHOUT WRITTEN PERMISSION						

MATING LENGTH EXAMPLES



MATERIAL NUMBER ASSIGNMENT

TAIL TYPE
 0 = SOLDER
 1 = PRESS FIT

73651- * * * *

PC TAIL LENGTH

CODE	DIM "P"
0	2.00
1	2.50
2	3.00
3	3.50
4	4.00
5	2.75

MATING LENGTH

10 = SSS	20 = MSS	30 = LSS
11 = SSM	21 = MSM	31 = LSM
12 = SSL	22 = MSL	32 = LSL
13 = SMS	23 = MMS	33 = LMS
14 = SMM	24 = MMM	34 = LMM
15 = SML	25 = MML	35 = LML
16 = SLS	26 = MLS	36 = LLS
17 = SLM	27 = MLM	37 = LLM
18 = SLL	28 = MLL	38 = LLL

PRESSFIT TAILS AVAILABLE IN THESE LENGTHS ONLY

UPDATE BORDER EC NO: UCP2007-1348 TIDRW:MSIBARRA 2006/12/29 CHKD:BBARKER 2007/01/04 APPR:SMILLER 2007/01/05	QUALITY SYMBOLS	GENERAL TOLERANCES (UNLESS SPECIFIED)	DIMENSION STYLE	SCALE	DESIGN UNITS	THIRD ANGLE PROJECTION
	▽=0 ▽=0	mm INCH 4 PLACES ± --- ± --- 3 PLACES ± --- ± --- 2 PLACES ± 0.10 ± --- 1 PLACE ± 0.25 ± --- ANGULAR ±1/2°	MM ONLY	2:1	METRIC	
	DESCRIPTION	DRAWN BY	DATE	TITLE		
	REV	JRP	199/07/22	SALES ASSEMBLY HDM DAUGHTERCARD POWER MODULE		
	CHECKED BY	DATE	MOLEX INCORPORATED			
	PAR	1996/07/22	DOCUMENT NO. SDA-73651-****			
	APPROVED BY	DATE	SHEET NO. 2 OF 2			
	CAB	1996/07/22	THIS DRAWING CONTAINS INFORMATION THAT IS PROPRIETARY TO MOLEX INCORPORATED AND SHOULD NOT BE USED WITHOUT WRITTEN PERMISSION			
	MATERIAL NO.	SEE CHART				

MATERIAL NUMBER ASSIGNMENT

TAIL TYPE

0 = SOLDER
1 = PRESS FIT

73651- * * * *

PC TAIL LENGTH

CODE	DIM "P"
0	2.00
1	2.50
2	3.00
3	3.50
4	4.00
5	2.75

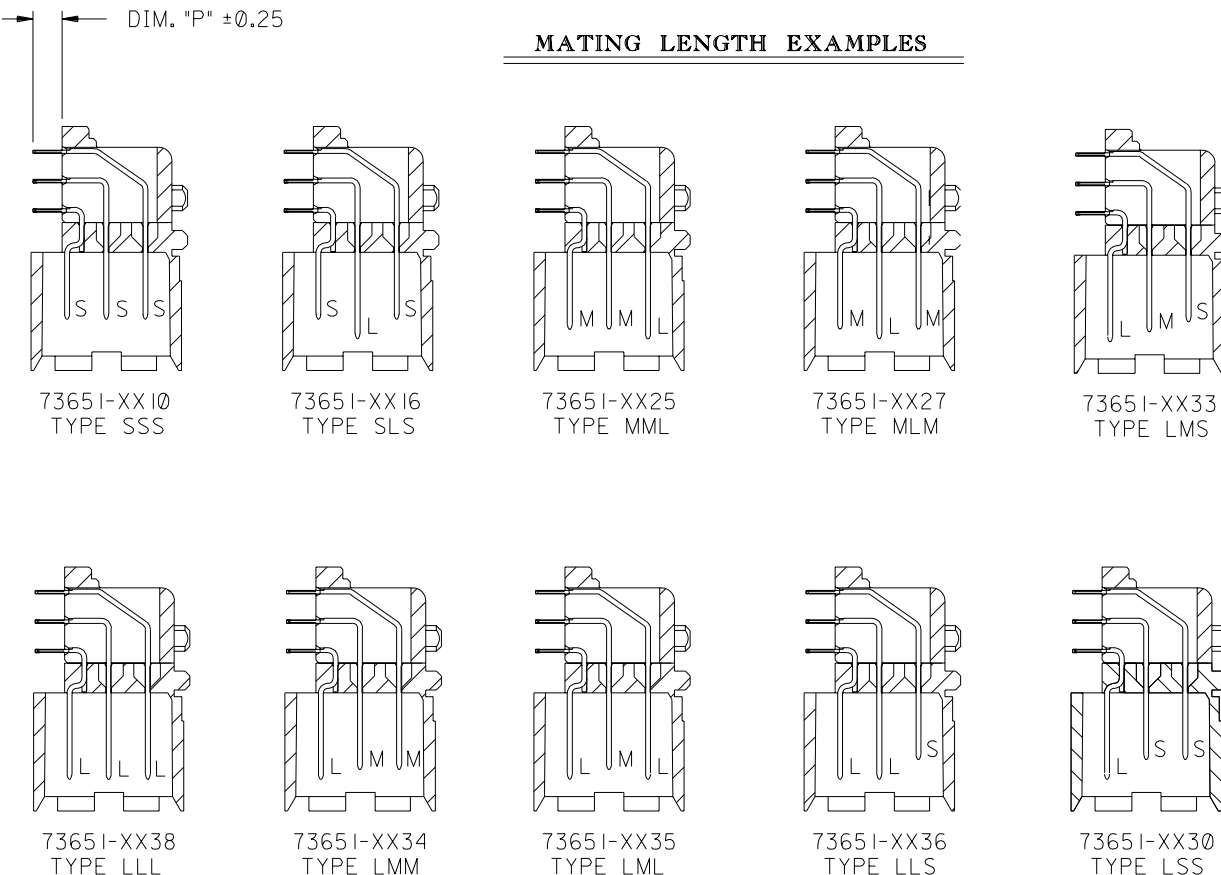
MATING LENGTH

10 = SSS	20 = MSS	30 = LSS
11 = SSM	21 = MSM	31 = LSM
12 = SSL	22 = MSL	32 = LSL
13 = SMS	23 = MMS	33 = LMS
14 = SMM	24 = MMM	34 = LMM
15 = SML	25 = MML	35 = LML
16 = SLS	26 = MLS	36 = LLS
17 = SLM	27 = MLM	37 = LLM
18 = SLL	28 = MLL	38 = LLL

PRESSFIT TAILS
AVAILABLE IN
THESE LENGTHS
ONLY

DIM. "P" ± 0.25

MATING LENGTH EXAMPLES



LTR.	REVISIONS	LTR.	REVISIONS
		A	SEE SHEET I
		B	SEE SHEET I
		C	SEE SHEET I
		D	SEE SHEET I
		E	SEE SHEET I

DIMENSIONS SHOWN (METRIC) INCH
UNLESS OTHERWISE SPECIFIED
TOLERANCES: ANGULAR $\pm 1/2^\circ$

	INCH	METRIC
3 PLACE	\pm N/A	---
2 PLACE	\pm N/A	\pm ---
1 PLACE	---	\pm ---

DRAFT WHERE APPLICABLE MUST
REMAIN WITHIN DIMENSIONS

DRWG. BY: JRR	CHK'D. BY: SMR
APP'D. BY: CAB	SCALE: 2 : 1

$\nabla = 0$ $\blacktriangledown = 0$ REVISE ONLY ON CAD SYSTEM

TITLE
SALES ASSY, HDM DAUGHTER
CARD POWER MODULE

MOLEX INCORPORATED
LISLE, ILL. 60532 U.S.A.

PART NO. SDA-73651-***
DRWG. NO. 2

DATE 96/07/22

FILE NAME S73651X2 DGN
DIV. DA SIZE B

THIS DRAWING CONTAINS INFORMATION THAT IS PROPRIETARY TO MOLEX INC. AND SHOULD NOT BE USED WITHOUT WRITTEN PERMISSION.