

**PLEASE CHECK WWW.MOLEX.COM FOR LATEST PART INFORMATION**

**Part Number:** [0743232233](#)  
**Status:** **Active**  
**Description:** MicroCross™ DVI-I Integrated Digital/Analog High Volume Plug Connector Sub-assembly, for PCB Mount, with Snap-in Pegs, Gold (Au) Flash Plating, 29 Circuits, Lead Free

**Documents:**

[Drawing \(PDF\)](#) [RoHS Certificate of Compliance \(PDF\)](#)

**General**

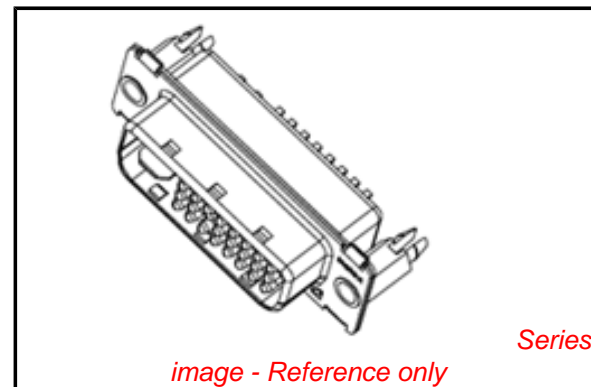
Product Family	I/O Connectors
Series	<a href="#">74323</a>
Application	Wire-to-Board
Comments	DDWG (Digital Display Working Group) Standard
Component Type	I/O Plug Connector Subassembly
Product Name	MicroCross™DVI
Type	N/A

**Physical**

Boot Color	N/A
Circuits (Loaded)	29
Circuits (maximum)	29
Color - Resin	Black
Durability (mating cycles max)	100
Keying to Mating Part	Yes
Lock to Mating Part	Yes
Material - Metal	Copper Alloy
Material - Plating Mating	Gold
Material - Plating Termination	Tin
Number of Rows	3
Orientation	Vertical
PCB Retention	Yes
Packaging Type	Tray
Panel Mount	N/A
Pitch - Mating Interface (in)	0.075 In, 0.100 In
Pitch - Mating Interface (mm)	1.90 mm, 2.54 mm
Pitch - Term. Interface (in)	0.075 In, 0.100 In
Pitch - Term. Interface (mm)	1.90 mm, 2.54 mm
Plating min: Mating (µin)	10
Plating min: Mating (µm)	0.25
Plating min: Termination (µin)	150
Plating min: Termination (µm)	3.80
Polarized to Mating Part	Yes
Polarized to PCB	Yes
Ports	1
Temperature Range - Operating	-20°C to +85°C
Termination Interface: Style	Solder or Weld
Waterproof / Dustproof	No
Wire Size AWG	N/A

**Electrical**

Current - Maximum per Contact	3A
Grounding to Panel	Yes
Shield Type	Full Shield
Shielded	Yes
Voltage - Maximum	40V AC (RMS)



**EU RoHS**

**ELV and RoHS Compliant**  
**REACH SVHC**  
 Not Reviewed  
**Halogen-Free Status**  
 Not Reviewed

**China RoHS**



**Need more information on product environmental compliance?**

Email [productcompliance@molex.com](mailto:productcompliance@molex.com)  
 For a multiple part number RoHS Certificate of Compliance, [click here](#)

Please visit the [Contact Us](#) section for any non-product compliance questions.

**Search Parts in this Series**

[74323Series](#)

**Mates With**

Other receptacle components, [74320](#) DVI Receptacle, [67351](#) DVI Receptacle

**Material Info**

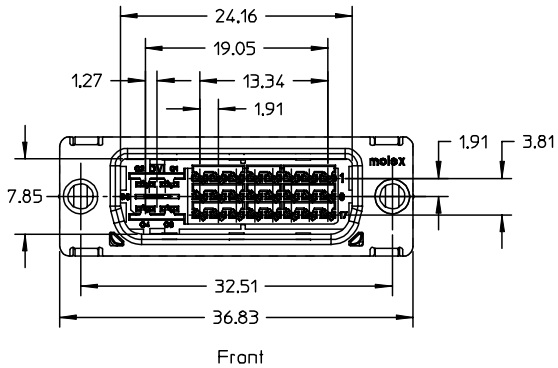
**Reference - Drawing Numbers**

Sales Drawing

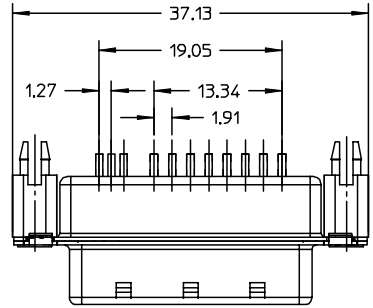
SD-74323-014

This document was generated on 04/05/2010

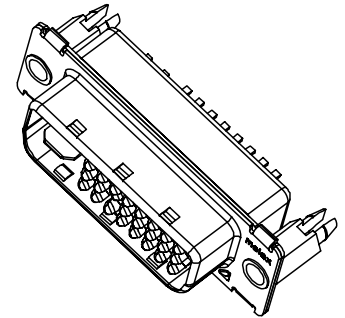
**PLEASE CHECK [WWW.MOLEX.COM](http://WWW.MOLEX.COM) FOR LATEST PART INFORMATION**



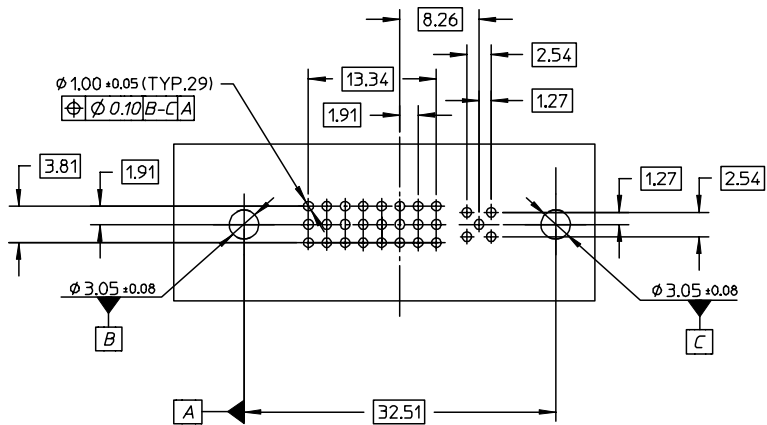
Front



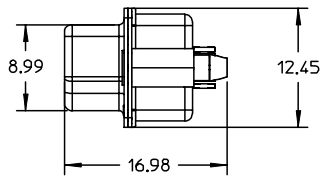
Top



general



RECOMMEND PCB LAYOUT  
THICKNESS 1mm



Right

NOTES :

- MATERIAL :  
HOUSING : THERMAL PLASTIC .JUL-94V-0, COLOR : BLACK.  
TERMINAL : COPPER ALLOY.  
SHIELD : STEEL ALLOY.  
PILLAR : COPPER ALLOY.
- FINISH :  
TERMINAL :  
CONTACT AREA : GOLD FLASH.  
SOLDER AREA : PURE TIN, 3.8 MICROMETER MIN.  
UNDER PLATING : NICKEL.  
SHIELD : 3.8 MICROMETER MIN BRIGHT TIN OVER NICKEL OVERALL.
- PRODUCT SPECIFICATION : PS-74320-001.
- PARTS TO BE PACKAGE IN TRAY.

LEAD-FREE EC NO: SH2005-0067 DRWN:DXUE 2004/09/02 CHKD: 2004/09/03 APPR: YTYAP 2004/09/09	QUALITY SYMBOLS ▽ = 0 ▽ = 0	GENERAL TOLERANCES (UNLESS SPECIFIED)		SCALE 2:1	DESIGN UNITS METRIC	THIRD ANGLE PROJECTION	REVISE ON CAD ONLY	
			mm	INCH	DIMENSION STYLE MM ONLY		TITLE	
		4 PLACES	± ---	± ---	DRAWN BY DATE TONY ZHANG 03/01/02		DVI-I PLUG CONNECTOR PCB MOUNT WITH PILLAR	
		3 PLACES	± ---	± ---	CHECKED BY DATE WU YJ 2003/01/07		MOLEX INCORPORATED	
			2 PLACES	± 0.25	± ---	APPROVED BY DATE MATERIAL NO. DOCUMENT NO. SHEET NO. SAM HUAN 2003/01/07 74323-2233 SD-74323-014 1 OF 1		
			1 PLACE	± 0.25	± ---	THIS DRAWING CONTAINS INFORMATION THAT IS PROPRIETARY TO MOLEX INCORPORATED AND SHOULD NOT BE USED WITHOUT WRITTEN PERMISSION		
			ANGULAR ± 3 °					
			DRAFT WHERE APPLICABLE					
			MUST REMAIN WITHIN DIMENSIONS					