

PLEASE CHECK WWW.MOLEX.COM FOR LATEST PART INFORMATION

Part Number: [0717431041](#)
Status: **Active**
Description: 1.27mm (.050") Pitch EBBI™ 50D Receptacle, Vertical SCA-2, 40 Circuits

Documents:

[3D Model](#) [Product Specification PS-73826-0000 \(PDF\)](#)
[Drawing \(PDF\)](#) [RoHS Certificate of Compliance \(PDF\)](#)

Agency Certification

CSA LR19980
 UL E29179

General

Product Family PCB Receptacles
 Series [71743](#)
 Application Board-to-Board
 Product Name EBBI™

Physical

Circuits (Loaded) 40
 Color - Resin Black
 Durability (mating cycles max) 500
 Flammability 94V-0
 Glow-Wire Compliant No
 Guide to Mating Part Yes
 Material - Metal Phosphor Bronze
 Material - Plating Mating Gold
 Material - Plating Termination Tin
 Material - Resin High Temperature Thermoplastic
 Number of Rows 2
 Orientation Vertical
 PC Tail Length (in) 0.110 In
 PC Tail Length (mm) 2.79 mm
 PCB Locator Yes
 PCB Retention Yes
 PCB Thickness Recommended (in) 0.062 In
 PCB Thickness Recommended (mm) 1.60 mm
 Packaging Type Tray
 Pitch - Mating Interface (in) 0.050 In
 Pitch - Mating Interface (mm) 1.27 mm
 Plating min: Mating (µin) 30
 Plating min: Mating (µm) 0.75
 Plating min: Termination (µin) 10
 Plating min: Termination (µm) 0.25
 Polarized to PCB Yes
 Temperature Range - Operating -40°C to +105°C
 Termination Interface: Style Through Hole

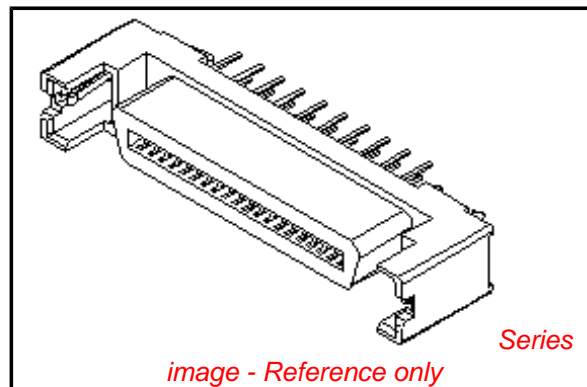
Electrical

Current - Maximum per Contact 1A
 Voltage - Maximum 30V

Solder Process Data

Lead-free Process Capability SMC & Wave Capable (TH only)
 Process Temperature max. C 260

Material Info



EU RoHS

ELV and RoHS Compliant
REACH SVHC
 Not Reviewed
Halogen-Free Status

China RoHS



Not Reviewed

Need more information on product environmental compliance?

Email productcompliance@molex.com
 For a multiple part number RoHS Certificate of Compliance, [click here](#)

Please visit the [Contact Us](#) section for any non-product compliance questions.

Search Parts in this Series

[71743Series](#)

Mates With

[87572](#) , [87571](#) , [87012](#)

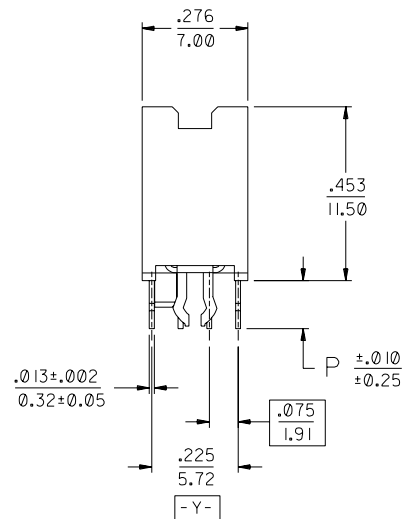
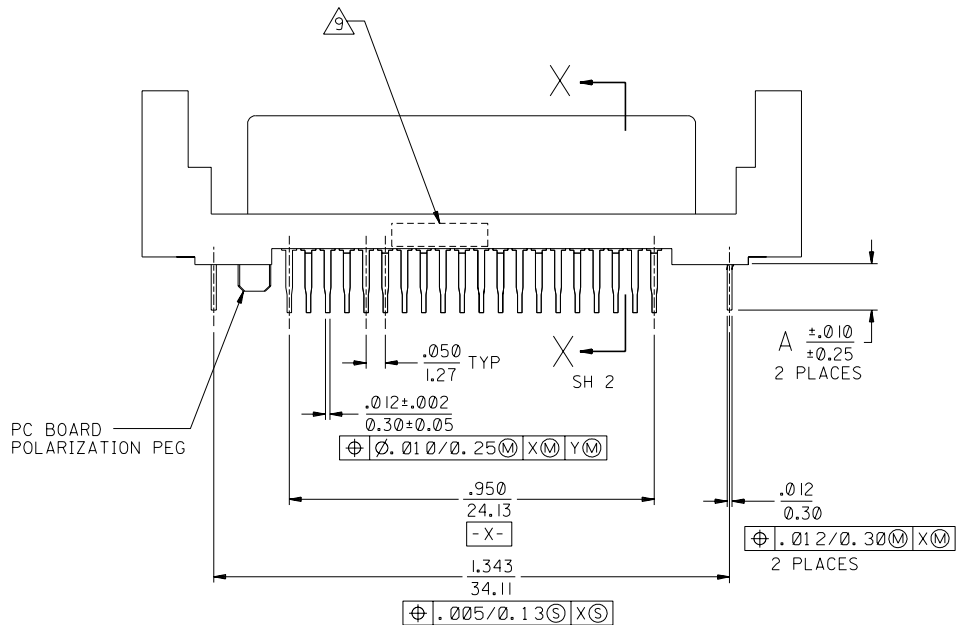
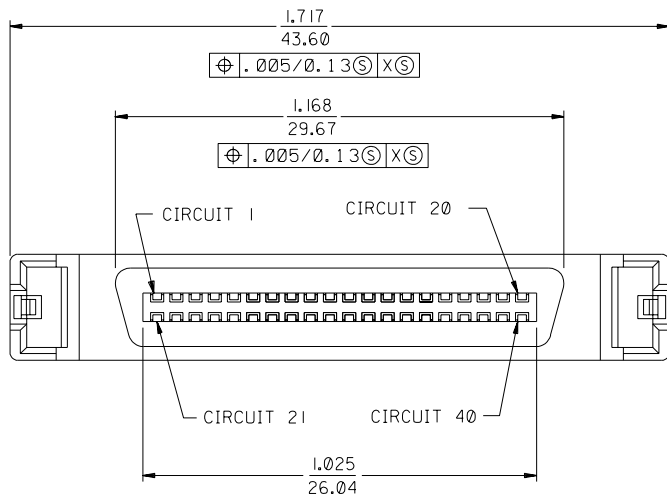
Reference - Drawing Numbers

Product Specification
Sales Drawing

PS-73826-0000
SDA-71743-104*

This document was generated on 04/14/2010

PLEASE CHECK WWW.MOLEX.COM FOR LATEST PART INFORMATION



NOTES:

- 1) MATERIALS:
HOUSING- LIQUID CRYSTAL POLYMER (LCP), GLASS FILLED, UL 94V-0, BLACK.
TERMINALS- COPPER ALLOY
ESD METAL PEGS- COPPER ALLOY.
- 2) PLATING OPTION 1:
TERMINALS:
.000030/(0.00076) MINIMUM GOLD IN CONTACT AREA AND .000100/(0.00254) MINIMUM TIN IN TAIL AREA OVER NICKEL UNDERPLATING OVERALL.
ESD METAL PEGS:
.000150/(0.00381) MINIMUM TIN OVER NICKEL UNDERPLATING OVERALL.
- 3) PLATING OPTION 2:
TERMINALS: GOLD FLASH IN SELECT CONTACT AREA OVER .000030/(0.00076) MINIMUM PALLADIUM NICKEL IN CONTACT AREA AND .000075/(0.00191) MINIMUM TIN IN TAIL AREA OVER NICKEL UNDERPLATING OVERALL.
ESD METAL PEGS:
.000150/(0.00381) MINIMUM TIN OVER NICKEL UNDERPLATING OVERALL.
- 4) CONFORMS TO PRODUCT SPECIFICATION PS-73826-0000.
- 5) CIRCUIT NUMBERS 21 THRU 23, 26, 29, 32, 35 THRU 40, ARE ADVANCED (LONG) TERMINALS FOR SEQUENTIAL MATING.
- 6) CONNECTOR WILL ACCEPT MATING TO A P.C. BOARD WITH A THICKNESS OF .062±.003 (1.60±0.08).
- 7) SEE TABLE FOR RECOMMENDED P.C. BOARD THICKNESS.
- 8) PRODUCT PACKAGED PER PK-70873-083*
- 9) FOUR DIGIT DATE CODE (WK, YR), EXAMPLE => 26 96 LOCATED IN AREA INDICATED.

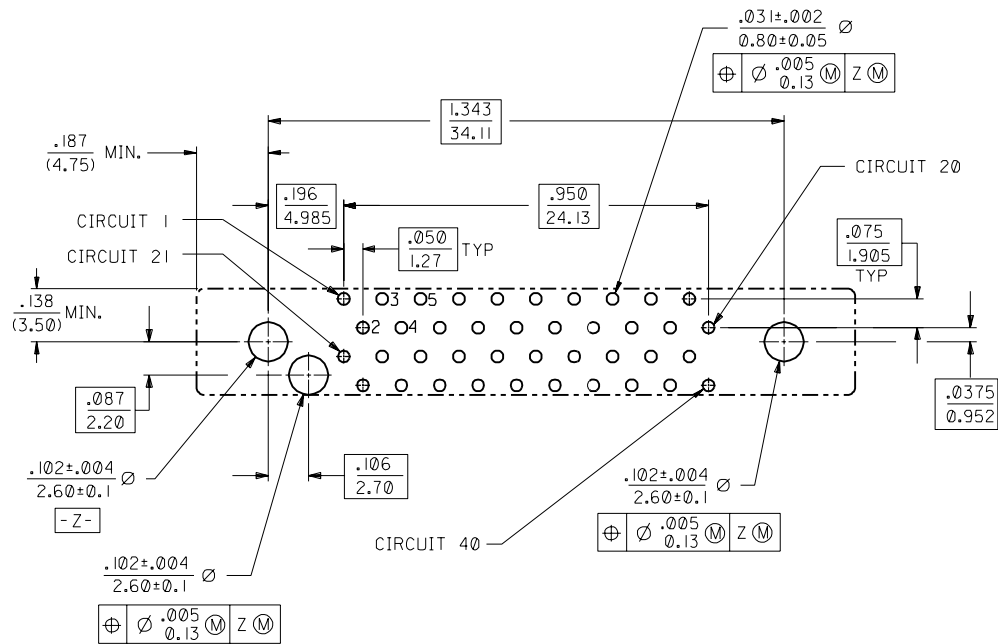
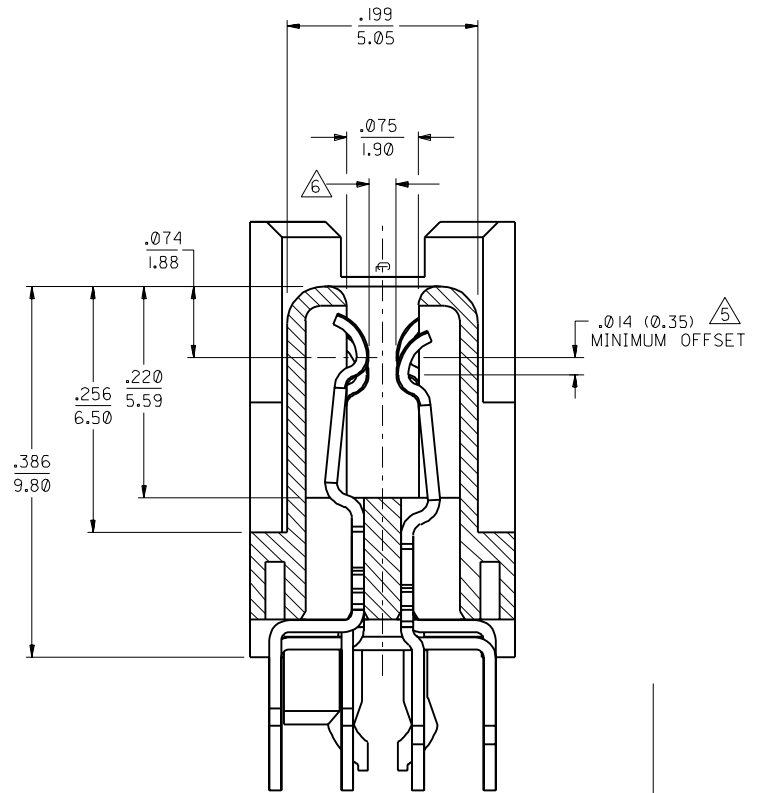
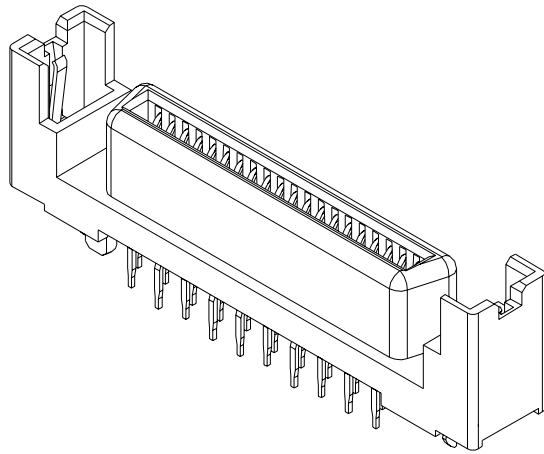
NOTE FOR LEAD FREE CONVERSION:

THE PRIMARY SHIPPING CARTON WILL BE LABELED "COMPLIANT TO ROHS DIRECTIVE 2002/95/EC AND ELV ANNEX II OF DIRECTIVE 2000/53/EC". CARTONS WITHOUT THIS LABEL MAY CONTAIN PRODUCT WITH LEAD.

PART NUMBER	PLATING	PCB THICKNESS	DIM. P	DIM. A
71743-1045	SEE NOTE 2	.130±.006 (3.30±0.15)	.148 (3.75)	.118 (3.00)
71743-1044	SEE NOTE 2	.125±.003 (3.18±0.08)	.134 (3.40)	.118 (3.00)
71743-1043	SEE NOTE 2	.093±.003 (2.36±0.08)	.125 (3.18)	.118 (3.00)
71743-1042	OBSOLETE			
71743-1041	SEE NOTE 2	.062±.003 (1.60±0.08)	.110 (2.79)	.118 (3.00)
71743-1040	SEE NOTE 2	.093±.003 (2.36±0.08)	.125 (3.18)	.118 (3.00)

J	REVISOR	ECN UCP2004-2082	RKADAMS	04/04/22
I	REVISOR	ECN UCP2003-0093	BBARKER	02/08/13
H	REVISOR	ECN UDT 2000-1231	ACHAMMER	00/06/07
G	REVISOR	ECN UDT1999-0975	KSMITH	99/05/26
F2	REVISOR	ECN UDT 1999-0865	ACHAMMER	99-04-10
F1	REVISOR	ECN UDT1998-0294	STANISLA	98/6/10
F	REVISOR	PER ECN U80654	ACHAMMER	97-9-18
E	REVISOR	PER ECN U71495	ACHAMMER	97-6-2
DI	REVISOR	PER ECN U70444	ACHAMMER	96-11-26
D	REVISOR	PER ECN U61278	5-2-96	DCA
C	REVISOR	PER ECN U600641	11-29-95	DRS
B	REVISOR	PER ECN U60297	9-1-95	RAN
A	INITIAL RELEASE	PER ECN U60019	8-15-95	RAN

DIMENSIONS SHOWN (METRIC) INCH UNLESS OTHERWISE SPECIFIED TOLERANCES: ANGULAR ± 1/2°		▽ = 0 ▽ = 0		REVISE ONLY ON CAD SYSTEM	
3 PLACE ± .005		INCH METRIC		TITLE	
2 PLACE ± .01 ± 0.13		---		SALES ASSEMBLY	
1 PLACE --- ± 0.25		---		EBBI VERTICAL RECEPTACLE	
DRAFT WHERE APPLICABLE MUST REMAIN WITHIN DIMENSIONS		MOLEX INCORPORATED		40 CKT FIBRE CHANNEL CONN	
DRWG. BY: RAN		CHK'D. BY: RAN		SHEET NO. DATE	
APP'D. BY: GWF		SCALE: 4: 1		U.S.A. 1 OF 2 7/21/95	
FILE NAME: S71743X4		SEE TABLE		SDA-71743-104*	
SHEET NO. DATE		DIV. SIZE		THIS DRAWING CONTAINS INFORMATION THAT IS PROPRIETARY TO MOLEX INC. AND SHOULD NOT BE USED WITHOUT WRITTEN PERMISSION	



DIMENSIONS SHOWN (METRIC) INCH		UNLESS OTHERWISE SPECIFIED TOLERANCES ANGULAR $\pm 1/2^\circ$		REVISIONS	
INCH		METRIC		MFG. SH. REV. LTR.	
3 PLACE	$\pm .005$	---	---	G SEE SHEET 1	
2 PLACE	$\pm .01$	± 0.13	---	REVISIONS	
1 PLACE	---	± 0.25	---	SEE TABLE	
DRAFT WHERE APPLICABLE MUST REMAIN WITHIN DIMENSIONS		PART NO. DRWG. NO.		SALES ASSEMBLY	
DRWG. BY: RAN		CHK'D BY: RAN		EBBI VERTICAL RECEPTACLE	
APP'D BY: GWF		SCALE: 4:1		40 CKT FIBRE CHANNEL CONN	
FILE NAME: S71743X4		SHEET NO.: 2		DATE: 7/21/95	
SHEET NO.: 2		U.S.A.		MOLEX INCORPORATED	
SHEET NO.: 2		U.S.A.		L15LEJLL 69532	
SHEET NO.: 2		U.S.A.		SDA-71743-104	
SHEET NO.: 2		U.S.A.		THIS DRAWING CONTAINS INFORMATION THAT IS PROPRIETARY TO MOLEX INC. AND SHOULD NOT BE USED WITHOUT WRITTEN PERMISSION.	