

PLEASE CHECK WWW.MOLEX.COM FOR LATEST PART INFORMATION

Part Number: [0716612511](#)
Status: **Active**
Overview: [ebbi_50d](#)
Description: 1.27mm (.050") Pitch EBBI™ 50D Plug, Right Angle, Blind-Mate, 100 Circuits, 2.79mm (.110") PC Tail Length

Documents:

[3D Model](#) [Product Specification PS-71660 \(PDF\)](#)
[Drawing \(PDF\)](#) [RoHS Certificate of Compliance \(PDF\)](#)

Agency Certification

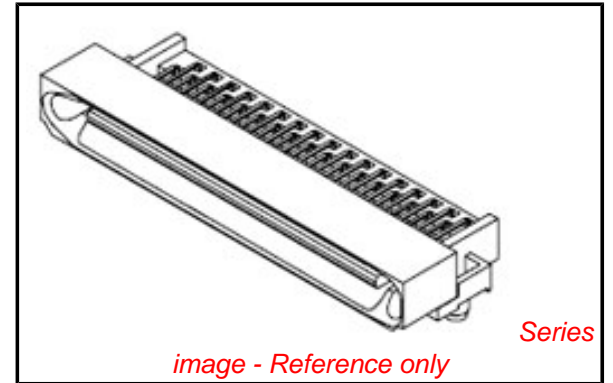
CSA LR19980
 UL E29179

General

Product Family PCB Headers
 Series [71661](#)
 Application Board-to-Board, Wire-to-Board
 Overview [ebbi_50d](#)
 Product Name EBBI™

Physical

Breakaway No
 Circuits (Loaded) 100
 Circuits (maximum) 100
 Color - Resin Black
 Durability (mating cycles max) 2,000
 First Mate / Last Break No
 Flammability 94V-0
 Glow-Wire Compliant No
 Guide to Mating Part Yes
 Keying to Mating Part None
 Lock to Mating Part None
 Material - Metal Brass
 Material - Plating Mating Gold
 Material - Plating Termination Tin
 Material - Resin High Temperature Thermoplastic
 Number of Rows 2
 Orientation Right Angle
 PC Tail Length (in) 0.110 In
 PC Tail Length (mm) 2.79 mm
 PCB Locator Yes
 PCB Retention Yes
 PCB Thickness Recommended (in) 0.062 In
 PCB Thickness Recommended (mm) 1.60 mm
 Packaging Type Tray
 Pitch - Mating Interface (in) 0.050 In
 Pitch - Mating Interface (mm) 1.27 mm
 Pitch - Term. Interface (in) 0.050 In
 Pitch - Term. Interface (mm) 1.27 mm
 Plating min: Mating (µin) 30
 Plating min: Mating (µm) 0.76
 Plating min: Termination (µin) 50
 Plating min: Termination (µm) 1.30
 Polarized to Mating Part Yes
 Polarized to PCB Yes



EU RoHS

ELV and RoHS Compliant
REACH SVHC
 Not Reviewed
Halogen-Free Status
Not Reviewed

China RoHS



Need more information on product environmental compliance?

Email productcompliance@molex.com
 For a multiple part number RoHS Certificate of Compliance, [click here](#)

Please visit the [Contact Us](#) section for any non-product compliance questions.

Search Parts in this Series

[71661Series](#)

Mates With

EBBI™ 50D Receptacle [71660](#) , [87537](#)

Shrouded	Fully
Stackable	No
Surface Mount Compatible (SMC)	No
Temperature Range - Operating	-40°C to +105°C
Termination Interface: Style	Through Hole

Electrical

Current - Maximum per Contact	1A
Voltage - Maximum	30V

Solder Process Data

Lead-free Process Capability	SMC & Wave Capable (TH only)
Process Temperature max. C	235

Material Info

Reference - Drawing Numbers

Packaging Specification	PK-70873-084*
Product Specification	PS-71660
Sales Drawing	SDA-71661-25**

This document was generated on 05/31/2010

PLEASE CHECK WWW.MOLEX.COM FOR LATEST PART INFORMATION

NOTES:

1. MATERIAL:

HOUSING: LIQUID CRYSTAL POLYMER (LCP), GLASS-FILLED, UL94V-0,
COLOR: BLACK

TERMINALS: BRASS

2. FINISH:

TERMINAL: 0.76 MICROMETERS/30 MICROINCHES MINIMUM SELECTIVE GOLD
IN CONTACT AREA; 1.27 MICROMETERS/50 MICROINCHES MINIMUM
SELECTIVE TIN IN THE PC TAIL AREA; NICKEL UNDERPLATE OVERALL.

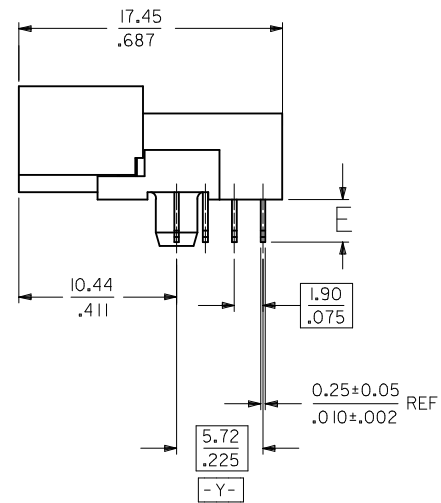
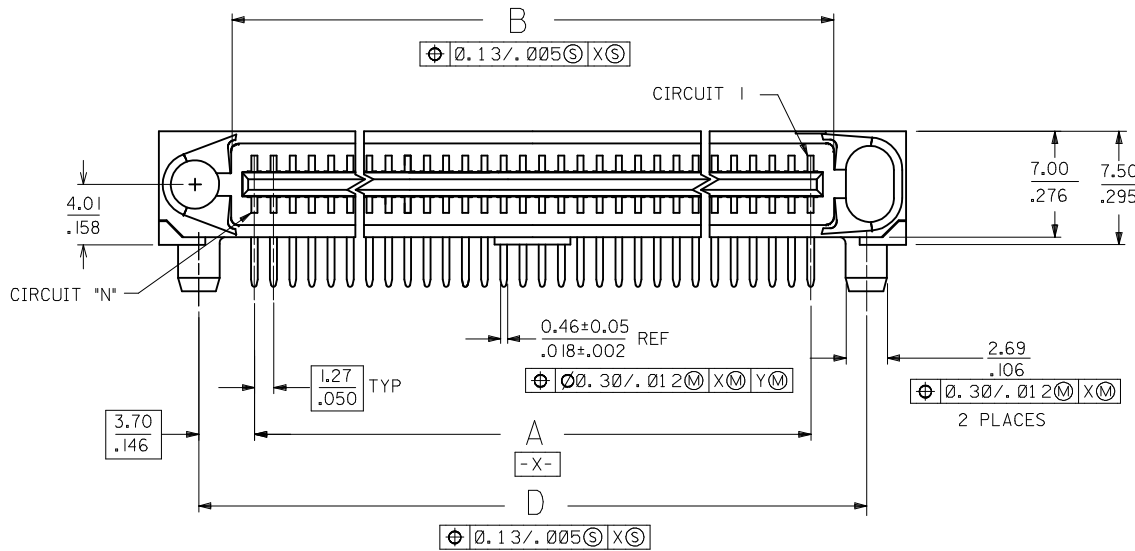
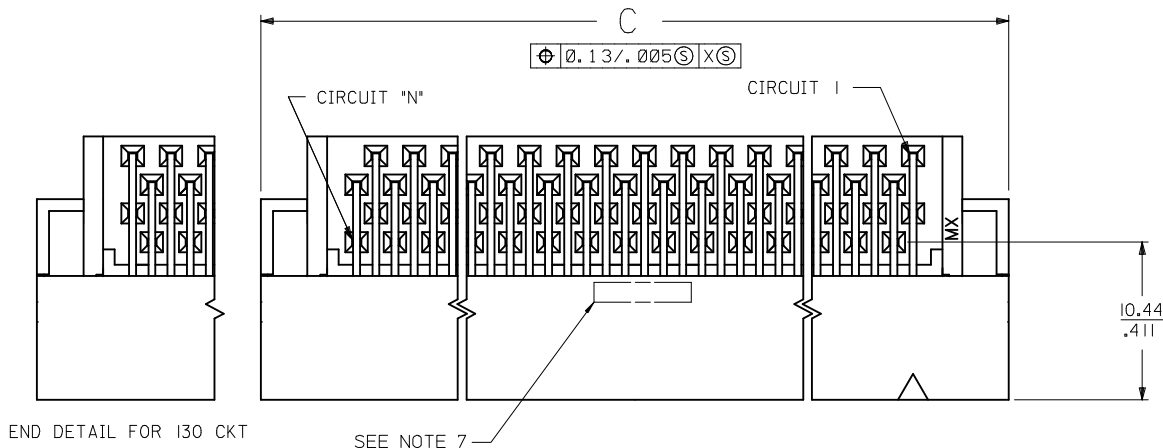
3. CONFORMS TO PRODUCT SPEC: PS-71660

4. PRODUCT PACKAGED PER PK-70873-084*

5. ASSEMBLY MATES WITH MOLEX P/N SDA-71660-7***

6. RECOMMENDED PC BOARD THICKNESS IS 1.6 MM/0.062 IN

7. FOUR DIGIT DATE CODE (WK.YR.) EXAMPLE 26 96 LOCATED IN AREA SHOWN

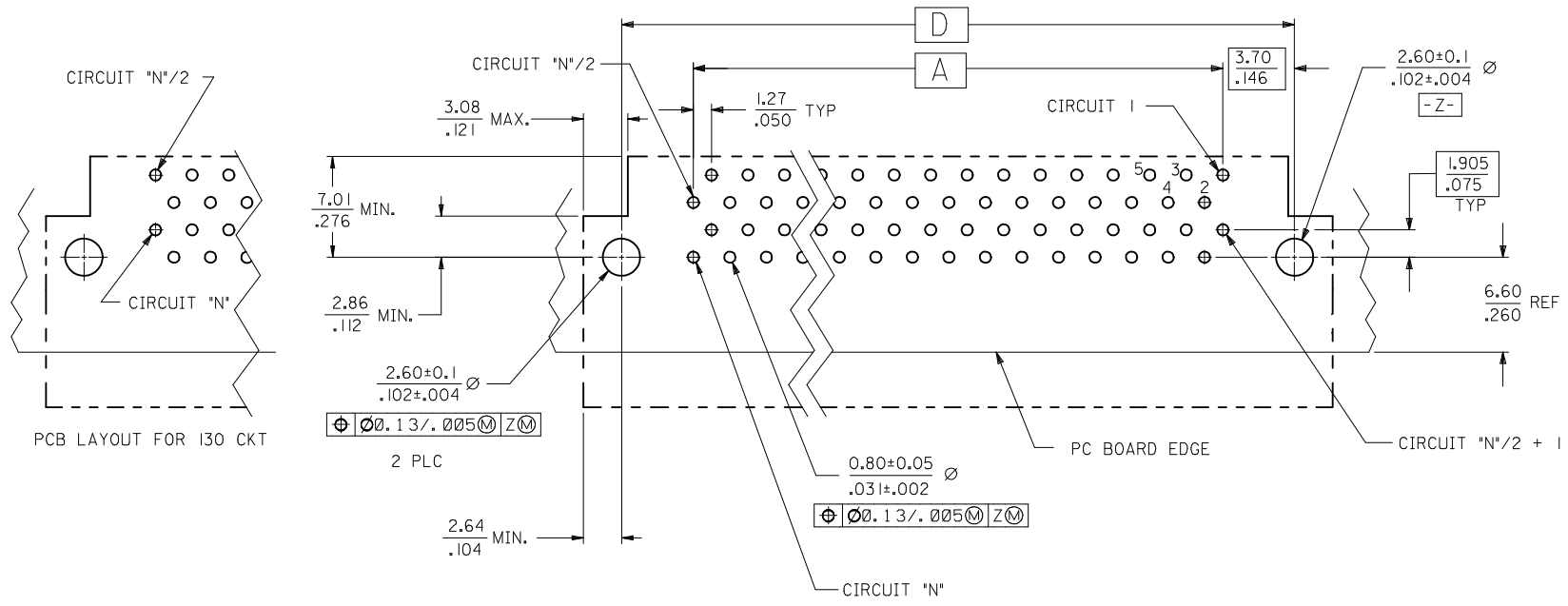


CHANGE MATERIAL EC NO: UCP2009-1254 DRWN:MSIBARRA 2008/12/19 CHKD:BSMART 2009/01/06 APPR:SMILLER 2009/01/06	QUALITY SYMBOLS	DESCRIPTION
	▽=0	
	▽=0	
	REV	

GENERAL TOLERANCES (UNLESS SPECIFIED)
mm INCH
4 PLACES ± --- ± ---
3 PLACES ± --- ± .010
2 PLACES ± 0.25 ± ---
1 PLACE ± --- ± ---
ANGULAR ± 1/2°
DRAFT WHERE APPLICABLE MUST REMAIN WITHIN DIMENSIONS

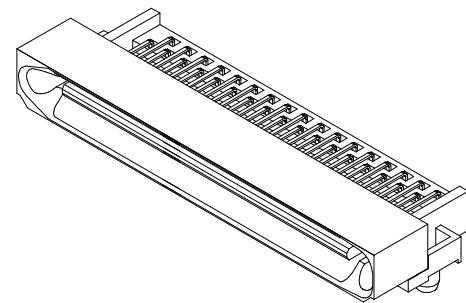
DIMENSION STYLE	
MM/IN	SCALE
DRAWN BY	DATE
RAN	1995/04/26
CHECKED BY	DATE
RAN	1995/04/26
APPROVED BY	DATE
CAB	1995/04/26
MATERIAL NO.	DOCUMENT NO.
SEE TABLE	SDA-71661-25**
SIZE	SHEET NO.
C	1 OF 2

DESIGN UNITS	THIRD ANGLE PROJECTION
INCH	
SALES ASSMBLY	
EBBI 50D RIGHT ANGLE	
BLIND MATE PLUG	
MOLEX INCORPORATED	
THIS DRAWING CONTAINS INFORMATION THAT IS PROPRIETARY TO MOLEX INCORPORATED AND SHOULD NOT BE USED WITHOUT WRITTEN PERMISSION	



RECOMMENDED PC BOARD LAYOUT
 COMPONENT SIDE
 SEE NOTE 6

3.491 (88.67)	3.699 (93.95)	3.320 (84.33)	3.200 (81.28)	.110 (2.79)	130	71661-2513
2.741 (69.63)	2.949 (74.90)	2.570 (65.28)	2.450 (62.23)	.110 (2.79)	100	71661-2511
2.241 (56.92)	2.449 (62.20)	2.070 (52.586)	1.950 (49.53)	.110 (2.79)	80	71661-2580
1.941 (49.31)	2.149 (54.58)	1.770 (44.96)	1.650 (41.91)	.110 (2.79)	68	71661-2568
1.941 (49.31)	2.149 (54.58)	1.770 (44.96)	1.650 (41.91)	.125 (3.18)	68	71661-2518
1.241 (31.53)	1.449 (36.80)	1.070 (27.18)	.950 (24.13)	.110 (2.79)	40	71661-2540
D	C	B	A	E	CKT (*N)	ITEM NUMBER



68 CIRCUIT ASSEMBLY SHOWN
 SCALE 2:1

UPDATE REV LEVEL EC NO: UCP2009-1254 DRW:MSI BARRA 2008/12/19 CHK:DBSMART 2009/01/06 APPR:SMILLER 2009/01/06	DESCRIPTION REV K	QUALITY SYMBOLS	GENERAL TOLERANCES (UNLESS SPECIFIED)	DIMENSION STYLE	SCALE	DESIGN UNITS	THIRD ANGLE PROJECTION	
		$\nabla=0$ $\nabla=0$	mm INCH	MM/IN	4:1	INCH		
			4 PLACES ± --- ± ---	DRAWN BY DATE	TITLE	SALES ASSMBLY		
			3 PLACES ± --- ± .010	CHECKED BY DATE		EBBI 50D RIGHT ANGLE		
	2 PLACES ± 0.25 ± ---	RAN 1995/04/26		BLIND MATE PLUG				
	1 PLACE ± --- ± ---	RAN 1995/04/26		MOLEX INCORPORATED				
	ANGULAR ±1/2°	APPROVED BY DATE		MATERIAL NO. SEE TABLE				
		CAB 1995/04/26		DOCUMENT NO. SDA-71661-25**				
			DRAFT WHERE APPLICABLE MUST REMAIN WITHIN DIMENSIONS	THIS DRAWING CONTAINS INFORMATION THAT IS PROPRIETARY TO MOLEX INCORPORATED AND SHOULD NOT BE USED WITHOUT WRITTEN PERMISSION			SHEET NO. 2 OF 2	