

**PLEASE CHECK WWW.MOLEX.COM FOR LATEST PART INFORMATION**

**Part Number:** [0737760201](#)  
**Status:** **Active**  
**Description:** 0.80mm (.031") Pitch Ultra+™ VHDCI Receptacle, Vertical, SMT

**Documents:**

[3D Model](#) [Product Specification PS-71425-9999 \(PDF\)](#)  
[Test Summary \(PDF\)](#) [RoHS Certificate of Compliance \(PDF\)](#)  
[Drawing \(PDF\)](#)

**Agency Certification**

CSA LR19980  
 UL E29179

**General**

Product Family I/O Connectors  
 Series [73776](#)  
 Application Wire-to-Board  
 Component Type Receptacle  
 Product Name SCSI+, VHDCI  
 Type N/A

**Physical**

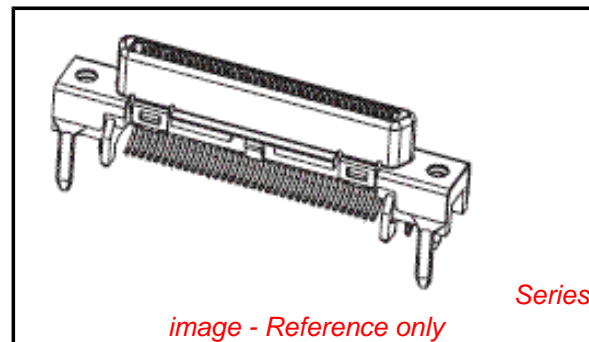
Circuits (Loaded) 68  
 Circuits (maximum) 68  
 Color - Resin Black  
 Durability (mating cycles max) 500  
 Flammability 94V-0  
 Lock to Mating Part Yes  
 Material - Plating Mating Gold  
 Material - Plating Termination Tin  
 Material - Resin High Temperature Thermoplastic  
 Orientation Vertical  
 PCB Retention N/A  
 PCB Thickness Recommended (in) 0.093 In  
 PCB Thickness Recommended (mm) 2.40 mm  
 Packaging Type Tube  
 Panel Mount Yes  
 Pitch - Mating Interface (in) 0.031 In  
 Pitch - Mating Interface (mm) 0.80 mm  
 Plating min: Mating (µin) 2  
 Plating min: Mating (µm) 0.05  
 Plating min: Termination (µin) 76.4  
 Plating min: Termination (µm) 1.91  
 Polarized to Mating Part Yes  
 Surface Mount Compatible (SMC) N/A  
 Temperature Range - Operating -55°C to +85°C  
 Termination Interface: Style Through Hole  
 Wire Size AWG N/A

**Electrical**

Current - Maximum per Contact 0.5A  
 Shielded Yes  
 Voltage - Maximum 30V

**Solder Process Data**

Duration at Max. Process Temperature (seconds) 40  
 Lead-free Process Capability Reflow Capable (SMT only)



**EU RoHS**

**RoHS Compliant by Exemption**

**REACH SVHC**

Not Reviewed

**Halogen-Free**

**Status**

**Not Reviewed**

**Need more information on product environmental compliance?**

Email [productcompliance@molex.com](mailto:productcompliance@molex.com)  
 For a multiple part number RoHS Certificate of Compliance, [click here](#)

Please visit the [Contact Us](#) section for any non-product compliance questions.

**China RoHS**



**Search Parts in this Series**

[73776Series](#)

**Mates With**

Ultra+™ VHDCI Plug Kit 71425

Max. Cycles at Max. Process Temperature	3
Process Temperature max. C	245

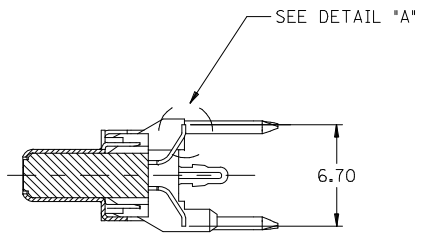
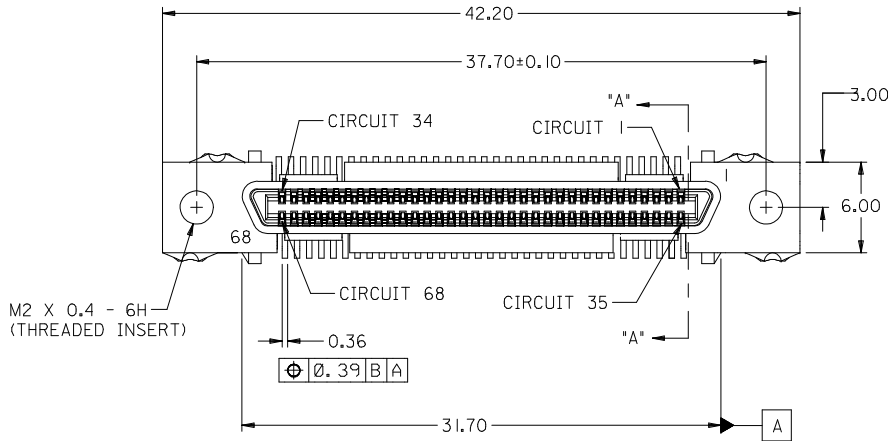
### **Material Info**

### **Reference - Drawing Numbers**

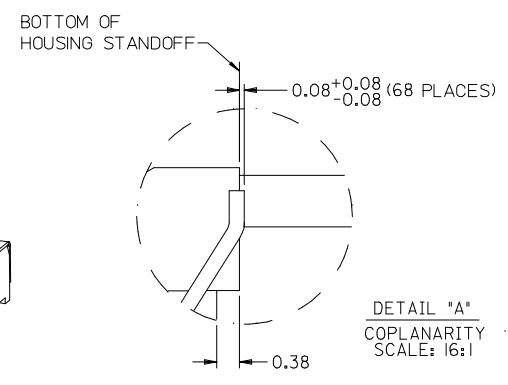
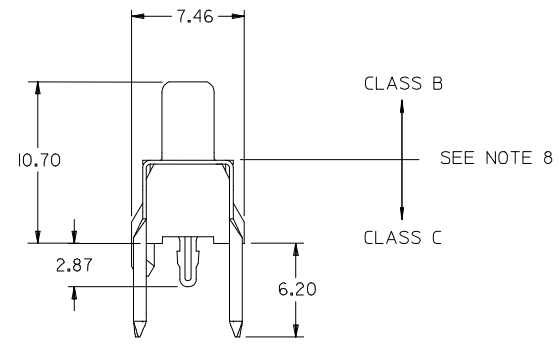
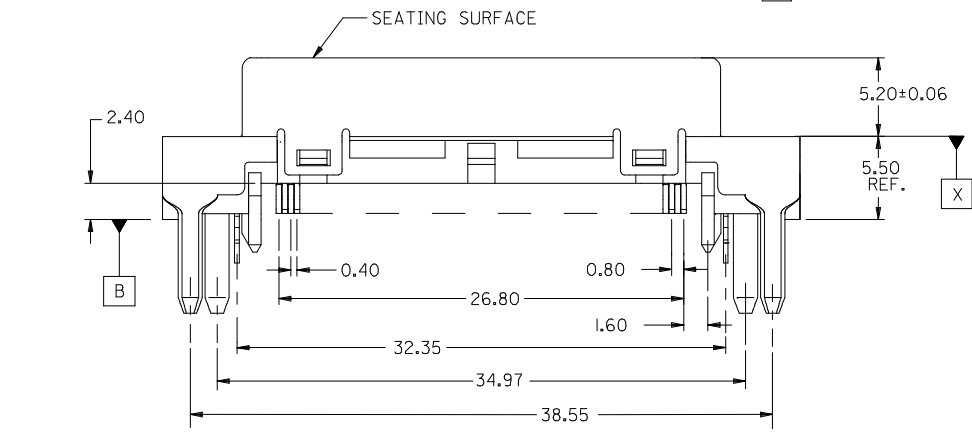
Product Specification	PS-71425-9999
Sales Drawing	SD-73776-002

This document was generated on 04/08/2010

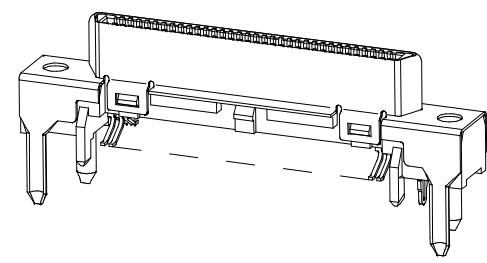
**PLEASE CHECK [WWW.MOLEX.COM](http://WWW.MOLEX.COM) FOR LATEST PART INFORMATION**



SECTION "A-A"



DETAIL "A"  
COPLANARITY  
SCALE: 16:1



- NOTES:**
- MATERIALS:**  
HOUSING: HIGH TEMP THERMOPLASTIC, COLOR: BLACK, UL 94V-0.  
TERMINAL: PHOSPHOR BRONZE  
SHIELD: STEEL  
THREADED INSERT: BRASS  
SCREWLOCK: STEEL
  - FINISH:**  
TERMINAL: 0.05-0.25 MICROMETER GOLD FLASH IN OVER 0.75 MICROMETER MINIMUM PALLADIUM NICKEL IN CONTACT AREA; 1.87 MICROMETER MINIMUM TIN IN TAIL AREA; ALL OVER 1.25 MICROMETER MINIMUM NICKEL.  
SHIELD: 3.81 MICROMETERS MINIMUM BRIGHT TIN OVER 1.27 MICROMETERS MINIMUM NICKEL OVER COPPER FLASH (OPTIONAL).  
THREADED INSERT: NICKEL  
SCREWLOCK: NICKEL
  - APPLICABLE PRODUCT SPEC: PS-71425-9999.
  - PACKAGING: TUBE PACK PER PK-70873-0824.
  - APPLICABLE STANDARDS: EIA-3652.
  - MATING ASSEMBLY: 71425-0001 PLUG.
  - DATE CODE: YEAR AND WEEK PER EIA -476-A.
  - PRODUCT COMPLIES WITH COSMETIC SPECIFICATION PS-45499-002. SEE FIGURE ABOVE FOR SURFACE CLASSIFICATIONS.

CLOSE OFF ENDS EC NO: UCP2010-0048 DRWIN: BARKER 2009/09/10 CHKD: MORGAN 2009/09/10 APPR: MILLER 2009/09/10	QUALITY SYMBOLS ▽=0 ▽=0	GENERAL TOLERANCES (UNLESS SPECIFIED)		DIMENSION STYLE <b>MM ONLY</b>	SCALE INCH	DESIGN UNITS INCH	THIRD ANGLE PROJECTION	
		4 PLACES ± --- ± ---	mm INCH	DRAWN BY DBOWEN	DATE 1997/04/11	TITLE <b>SALES ASSY VHDCI 0.8MM PITCH 68 CKT VERTICAL SMT RECEPTACLE</b>		
		3 PLACES ± --- ± ---	± 0.25 ± ---	CHECKED BY SSAMPSON	DATE 1997/04/11	MOLEX INCORPORATED		
		2 PLACES ± --- ± ---	± --- ± ---	APPROVED BY DBOWEN	DATE 1997/04/11	MATERIAL NO. <b>SEE TABLE</b>	DOCUMENT NO. <b>SD-73776-002</b>	SHEET NO. 1 OF 2
DRAFT WHERE APPLICABLE MUST REMAIN WITHIN DIMENSIONS		ANGULAR ±1/2°		THIS DRAWING CONTAINS INFORMATION THAT IS PROPRIETARY TO MOLEX INCORPORATED AND SHOULD NOT BE USED WITHOUT WRITTEN PERMISSION				

