

**PLEASE CHECK WWW.MOLEX.COM FOR LATEST PART INFORMATION**

**Part Number:** [0006022030](#)  
**Status:** **Active**  
**Overview:** [flat blade](#)  
**Description:** Flat Blade Appliance Water Valve Crimp Housing, 3 Circuit

**Documents:**

[3D Model](#) [RoHS Certificate of Compliance \(PDF\)](#)  
[Drawing \(PDF\)](#)

**Agency Certification**

CSA LR19980  
 UL E29179

**General**

Product Family Crimp Housings  
 Series [42295](#)  
 Overview [flat blade](#)  
 Product Name Flat Blade

**Physical**

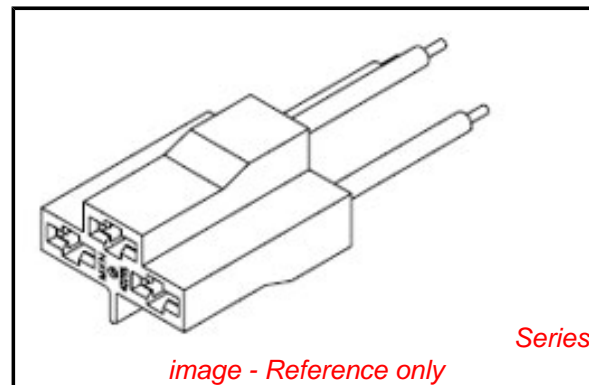
Circuits (maximum) 3  
 Color - Resin Natural  
 Flammability 94V-0  
 Gender Female  
 Glow-Wire Compliant No  
 Keying to Mating Part Yes  
 Lock to Mating Part None  
 Material - Resin Nylon  
 Number of Rows 2  
 Packaging Type Bag  
 Panel Mount No  
 Pitch - Mating Interface (in) 0.297 In  
 Pitch - Mating Interface (mm) 7.54 mm  
 Pitch - Term. Interface (in) 0.297 In  
 Pitch - Term. Interface (mm) 7.54 mm  
 Stackable No  
 Temperature Range - Operating -40°C to +75°C

**Material Info**

Old Part Number 42295-1

**Reference - Drawing Numbers**

Sales Drawing SD-42295-1



**EU RoHS**

**ELV and RoHS  
 Compliant**  
**REACH SVHC  
 Not Reviewed**  
**Halogen-Free  
 Status**

**China RoHS**



**Not Reviewed**

**Need more information on product  
 environmental compliance?**

Email [productcompliance@molex.com](mailto:productcompliance@molex.com)  
 For a multiple part number RoHS Certificate of  
 Compliance, [click here](#)

Please visit the [Contact Us](#) section for any  
 non-product compliance questions.

**Search Parts in this Series**

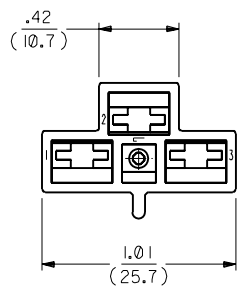
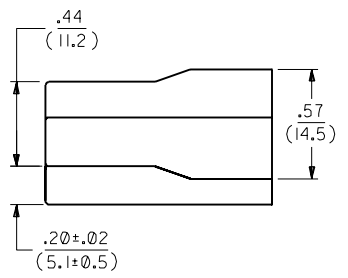
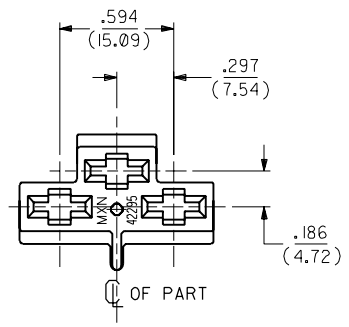
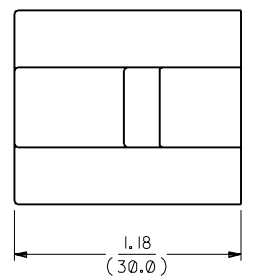
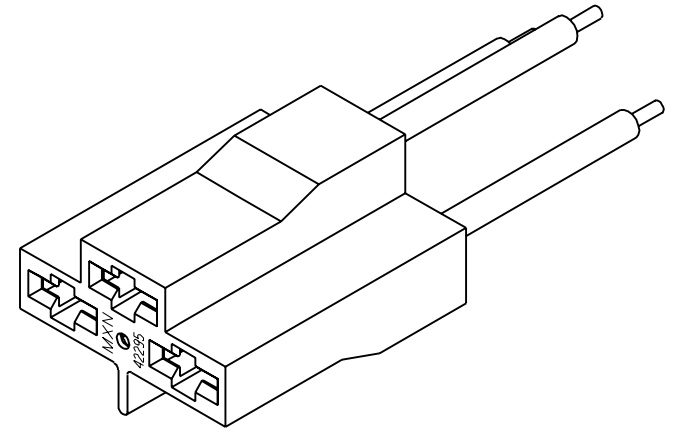
[42295Series](#)

**Mates With**

[Appliance Water Valve](#)

**Use With**

[41422](#)



**NOTES :**

- 1) MATERIAL : NYLON TYPE 6/6, 94V-2  
COLOR : NATURAL (WHITE/TRANSLUCENT)
- 2) THIS HOUSING IS FOR USE WITH TERMINALS :  
- ENG. NO. 41422-3\* (3 PL)

**IMPORTANT NOTE:** IT IS THE INTENTION OF MOLEX, INCORPORATED TO OBTAIN PATENT PROTECTION FOR THE IDEA CONTAINED IN THIS DRAWING. ACCORDINGLY, THIS DRAWING CANNOT BE SHOWN TO ANY PARTY OUTSIDE OF MOLEX WITHOUT A SIGNED CONFIDENTIAL DISCLOSURE AGREEMENT.

C	REINSTATE P/N UCR2002-0406 COMERC 01/10/25
B	OBSOLETE P/N UCR2002-0255 COMERC 01/9/17
A	FINAL RELEASE PER ERO #27767 89/01/19 RK
3	DRAWING REVISED PER ERO #27182 09/14/88 RK
2	DRAWING REVISED PER ERO #26969 08/05/88 RK
1	X-RELEASE PER ERO #26919 07/27/88 RK

DIMENSIONS SHOWN (METRIC) INCH		REVISIONS	
UNLESS OTHERWISE SPECIFIED TOLERANCES ANGULAR ± 1/2°		MFG. SH. REV. LTR.	
TITLE		REVISE ONLY ON CAD SYSTEM	
3 CIRCUIT WATER VALVE CONNECTOR		MOLX	
PART NO. 06-02-2030		SHEET NO. 1 OF 1	
DATE 07/26/88		U.S.A.	
DRAWG. NO. SD-42295-1		MOLX INC. AND SHOULD NOT BE USED WITHOUT WRITTEN PERMISSION	
FILE NAME H42295X1		DIV. CP	
SCALE 2 : 1		SIZE	