

**PLEASE CHECK WWW.MOLEX.COM FOR LATEST PART INFORMATION**

**Part Number:** [0747030007](#)  
**Status:** **Active**  
**Overview:** [hssdc2](#)  
**Description:** 1.27mm (.050") Pitch HSSDC2 Receptacle, Shielded, Right Angle, Single Row, 7 Circuits

**Documents:**

[3D Model](#) [Product Specification PS-74703-001 \(PDF\)](#)  
[Drawing \(PDF\)](#) [RoHS Certificate of Compliance \(PDF\)](#)

**Agency Certification**

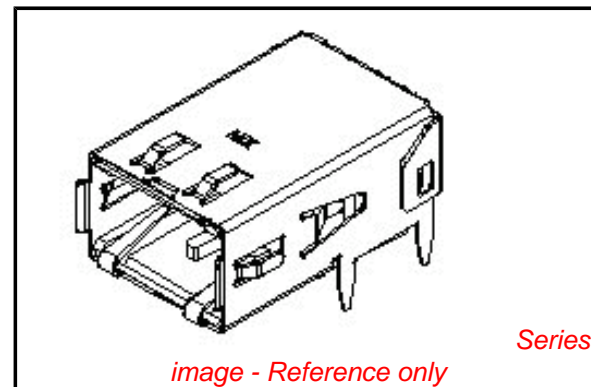
CSA LR19980  
 UL E29179

**General**

Product Family I/O Connectors  
 Series [74703](#)  
 Application Wire-to-Board  
 Component Type Receptacle  
 Overview [hssdc2](#)  
 Product Name HSSDC2  
 Type N/A

**Physical**

Boot Color N/A  
 Circuits (Loaded) 7  
 Circuits (maximum) 7  
 Color - Resin Natural  
 Durability (mating cycles max) 250  
 Flammability 94V-0  
 Gender Receptacle  
 Keying to Mating Part Yes  
 Lock to Mating Part Yes  
 Material - Metal High Performance Alloy (HPA)  
 Material - Plating Mating Gold  
 Material - Plating Termination Tin  
 Material - Resin High Temperature Thermoplastic  
 Number of Rows 1  
 Orientation Right Angle  
 PCB Locator Yes  
 PCB Retention Yes  
 PCB Thickness Recommended (in) 0.061 In, 0.092 In  
 PCB Thickness Recommended (mm) 1.57 mm, 2.36 mm  
 Packaging Type Embossed Tape on Reel  
 Panel Mount No  
 Pitch - Mating Interface (in) 0.050 In  
 Pitch - Mating Interface (mm) 1.27 mm  
 Pitch - Term. Interface (in) 0.050 In  
 Pitch - Term. Interface (mm) 1.27 mm  
 Polarized to Mating Part Yes  
 Polarized to PCB Yes  
 Ports 1  
 Surface Mount Compatible (SMC) Yes  
 Temperature Range - Operating -10°C to +60°C  
 Termination Interface: Style Surface Mount  
 Waterproof / Dustproof No



**EU RoHS**

**ELV and RoHS  
 Compliant**  
**REACH SVHC  
 Contains SVHC: No**  
**Halogen-Free  
 Status**

**China RoHS**



**Need more information on product  
 environmental compliance?**

Email [productcompliance@molex.com](mailto:productcompliance@molex.com)  
 For a multiple part number RoHS Certificate of Compliance, [click here](#)

Please visit the [Contact Us](#) section for any non-product compliance questions.

**Search Parts in this Series**

[74703Series](#)

**Mates With**

[73939](#)

Wire Size AWG	N/A
<b>Electrical</b>	
Current - Maximum per Contact	0.5A
Grounding to Panel	Drop-In
Shield Type	Full Shield
Shielded	Yes
Voltage - Maximum	30V DC

**Solder Process Data**

Duration at Max. Process Temperature (seconds)	40
Lead-free Process Capability	Reflow Capable (SMT only)
Max. Cycles at Max. Process Temperature	3
Process Temperature max. C	245

**Material Info****Reference - Drawing Numbers**

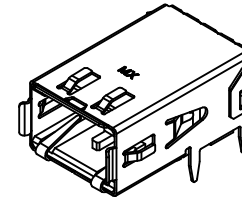
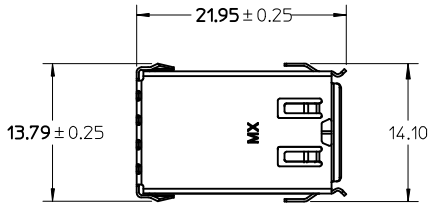
Packaging Specification	PK-74703-001
Product Specification	PS-74703-001
Sales Drawing	SD-74703-001

This document was generated on 05/27/2010

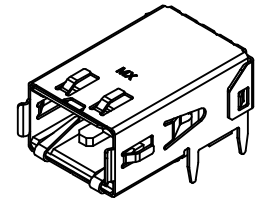
**PLEASE CHECK [WWW.MOLEX.COM](http://WWW.MOLEX.COM) FOR LATEST PART INFORMATION**

NOTES:

1. MATERIALS: HOUSING - LIQUID CRYSTAL POLYMER, UL94 V-0, NATURAL  
 TERMINAL - COPPER NICKEL SILICON ALLOY  
 SHIELD - BRASS ALLOY
2. FINISHES:  
 TERMINAL: 1.27 MICROMETERS MINIMUM SELECT GOLD AND  
 3.81 MICROMETERS MINIMUM SELECT TIN OVER  
 NICKEL UNDERPLATE OVERALL.  
 SHELL: 3.00 MICROMETERS MINIMUM TIN OVER  
 NICKEL UNDERPLATE OVERALL.
3. PACKAGE TAPE AND REEL PER PK-74703-001 AND  
 PACKAGE TRAYS PER PK-74703-002.
4. PART CONFORMS TO SPECIFICATION PS-74703-001.
5. DROP-IN AND PRESS FIT ASSEMBLIES REQUIRED TO  
 BE SOLDERED TO BOARD.



INFINIBAND KEYING  
WITH DROP-IN SHIELD

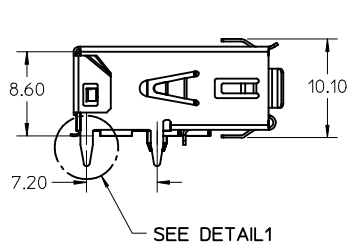


FIBRE CHANNEL KEYING  
WITH DROP-IN SHIELD

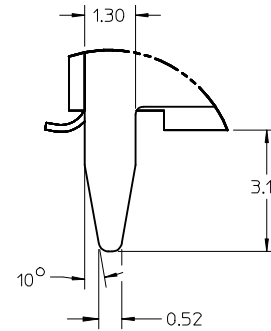
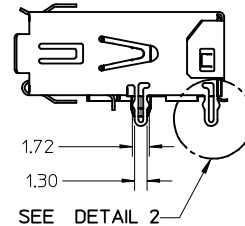
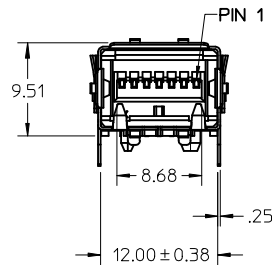
NOTE FOR LEAD FREE CONVERSION:

THE PRIMARY SHIPPING CARTON WILL BE LABELED "COMPLIANT TO RoHS DIRECTIVE 2002/95/EC AND ELV ANNEX II OF DIRECTIVE 2000/53/EC". CARTONS WITHOUT THIS LABEL MAY CONTAIN PRODUCT WITH LEAD.

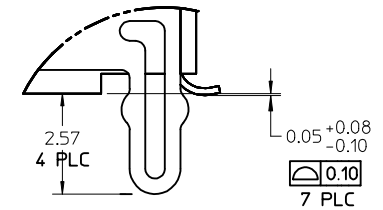
DROP-IN SHIELD



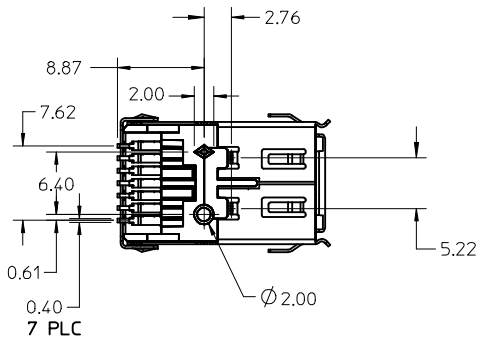
PRESS-FIT SHIELD



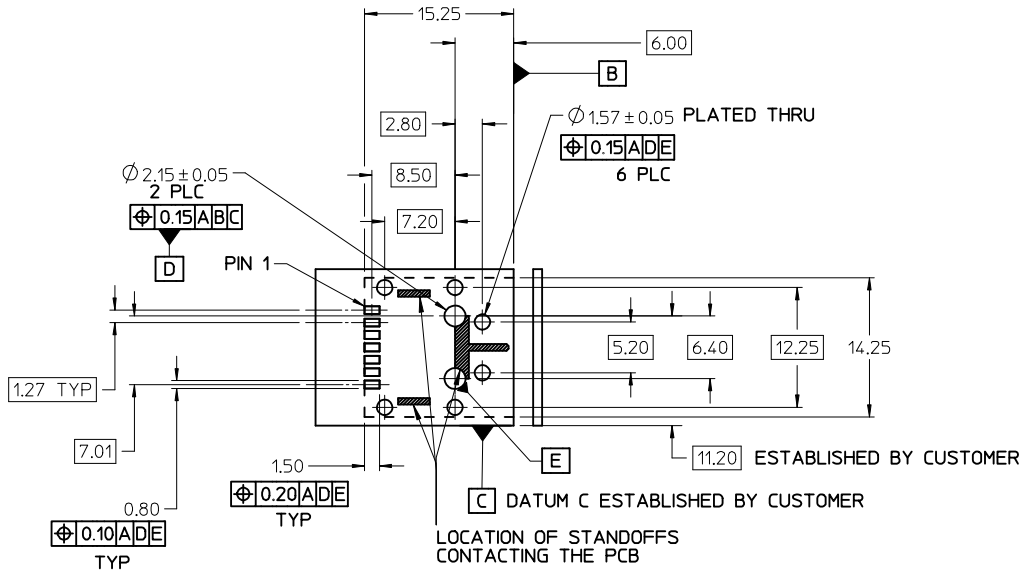
DETAIL 1  
SCALE 8:1



DETAIL 2  
SCALE 8:1

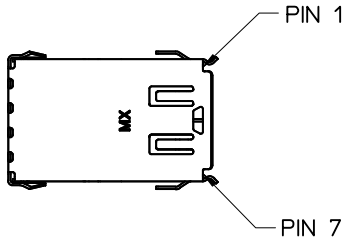


<b>MODIFY TOLERANCE</b> EC NO: UCP2009-1117 DR:WINSIBARRA 2008/10/29 CHK:D.MORGAN 2008/10/29 APPR:SMILLER 2008/10/30	QUALITY SYMBOLS ▽=0 ▽=0	GENERAL TOLERANCES (UNLESS SPECIFIED)		DIMENSION STYLE <b>MM ONLY</b>		SCALE 2:1	DESIGN UNITS METRIC	THIRD ANGLE PROJECTION	
		4 PLACES ± --- ± --- 3 PLACES ± --- ± --- 2 PLACES ± 0.13 ± --- 1 PLACE ± 0.25 ± ---	mm INCH	DRAWN BY KSTILES	DATE 10/06/2000	TITLE SALES DRAWING HSSDC2 RECEPTACLE ASSEMBLY			
		ANGULAR ± 3°		CHECKED BY RSFOX	DATE 10/09/2000	MOLEX INCORPORATED			
		DRAFT WHERE APPLICABLE MUST REMAIN WITHIN DIMENSIONS		APPROVED BY DBRINKMA	DATE 10/12/2000	MATERIAL NO. SEE TABLE	DOCUMENT NO. SD-74703-001	SHEET NO. 1 OF 3	
H1	REV	THIS DRAWING CONTAINS INFORMATION THAT IS PROPRIETARY TO MOLEX INCORPORATED AND SHOULD NOT BE USED WITHOUT WRITTEN PERMISSION							

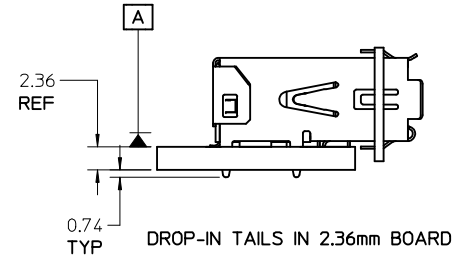
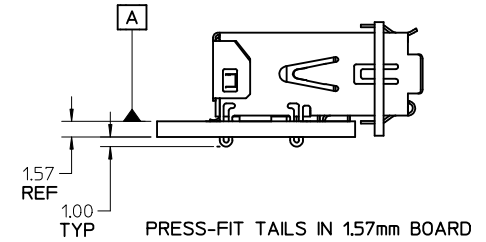
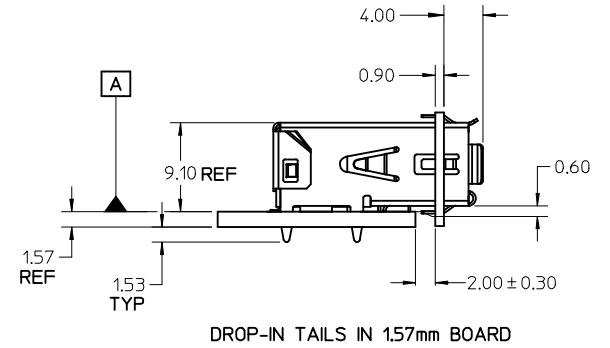


RECOMMENDED PCB LAYOUT  
COMPONENT SIDE SHOWN

THE ENTIRE AREA OF THE CONNECTOR FOOTPRINT TO BE CONSIDERED THE KEEP OUT AREA (FOR COMPONENTS). THIS AREA IS INDICATED BY THE DASHED LINE.

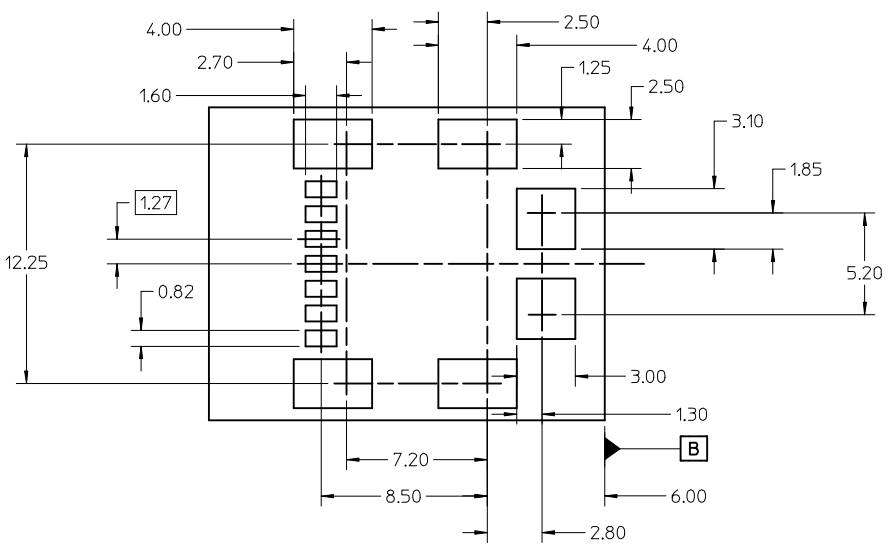


PIN NO.	INFINIBAND	FIBRE CHANNEL
1	G	G
2	R+	R-
3	R-	R+
4	G	G
5	T-	T+
6	T+	T-
7	G	G

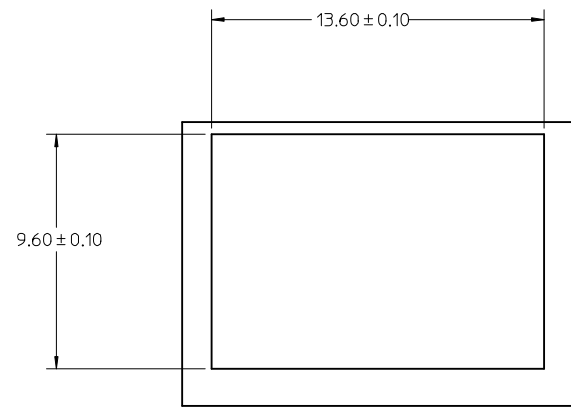


SEE SHEET 1 EC NO: UCP2009-1117 DRAWNS: IBARRA 2008/10/29 CHKD: DMORGAN 2008/10/29 APPR: SMILLER 2008/10/30 REV H1	QUALITY SYMBOLS ▽=0 ▽=0	GENERAL TOLERANCES (UNLESS SPECIFIED)		DIMENSION STYLE		SCALE	DESIGN UNITS	THIRD ANGLE PROJECTION			
				MM ONLY		2:1	METRIC				
				DRAWN BY DATE		DATE		TITLE			
				KSTILES 10/06/2000		10/09/2000		SALES DRAWING HSSDC2 RECEPTACLE ASSEMBLY			
		CHECKED BY DATE		DATE		MOLEX INCORPORATED DOCUMENT NO. SD-74703-001 SHEET NO. 2 OF 3					
		RSFOX 10/09/2000		10/12/2000							
		APPROVED BY DATE		DATE							
		DBRINKMA 10/12/2000									
		MATERIAL NO.		SEE TABLE							
		SIZE B		THIS DRAWING CONTAINS INFORMATION THAT IS PROPRIETARY TO MOLEX INCORPORATED AND SHOULD NOT BE USED WITHOUT WRITTEN PERMISSION							

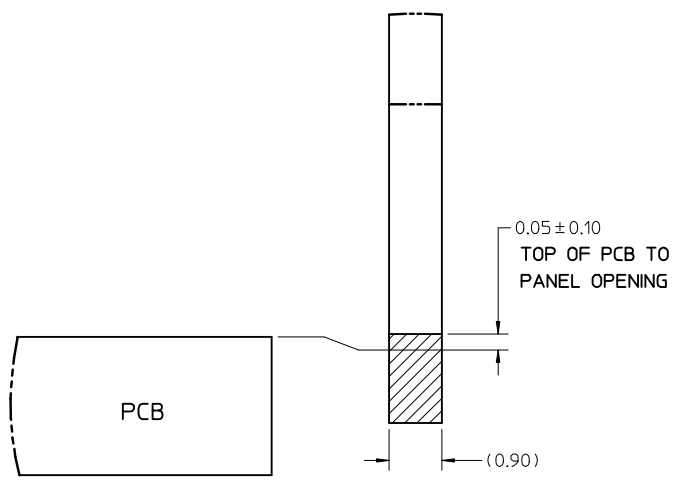
CKT. SIZE	MATERIAL NUMBER		KEYING OPTION	SHIELD OPTION
	TAPE/REEL	TRAY		
7	74703-0007	74703-0017	INFINIBAND	DROP-IN
7	74703-0107	74703-0117	FIBRE CHANNEL	DROP-IN
7	74703-0307	74703-0317	INFINIBAND	PRESS-FIT
7	74703-0407	74703-0417	FIBRE CHANNEL	PRESS-FIT



RECOMMENDED SMT STENCIL LAYOUT



RECOMMENDED PANEL OPENING



PARTIAL1 SCALE 12:1

SEE SHEET 1  
 EC NO: UCP2009-1117  
 DRWN:MS.BARRA 2008/10/29  
 CHKD:DMORGAN 2008/10/29  
 APPR:SMILLER 2008/10/30

REV	DESCRIPTION	QUALITY SYMBOLS
		▽=0
		▽=0

GENERAL TOLERANCES (UNLESS SPECIFIED)	
	mm
4 PLACES	± 0.13
3 PLACES	± 0.13
2 PLACES	± 0.13
1 PLACE	± 0.25
ANGULAR ± 3°	

DIMENSION STYLE	
MM ONLY	
DRAWN BY	DATE
KSTILES	10/06/2000
CHECKED BY	DATE
RSFOX	10/09/2000
APPROVED BY	DATE
DBRINKMA	10/12/2000
MATERIAL NO.	
SEE TABLE	

SCALE	DESIGN UNITS	THIRD ANGLE PROJECTION
2:1	METRIC	☉
TITLE		
SALES DRAWING HSSDC2 RECEPTACLE ASSEMBLY		
molex MOLEX INCORPORATED		
DOCUMENT NO.	SD-74703-001	SHEET NO. 3 OF 3

DRAFT WHERE APPLICABLE  
 MUST REMAIN  
 WITHIN DIMENSIONS

THIS DRAWING CONTAINS INFORMATION THAT IS PROPRIETARY TO MOLEX INCORPORATED AND SHOULD NOT BE USED WITHOUT WRITTEN PERMISSION