

PLEASE CHECK WWW.MOLEX.COM FOR LATEST PART INFORMATION

Part Number: [0719791808](#)
Status: **Active**
Overview: C-Grid® / SL™ Products
Description: 2.54mm (.100") Pitch C-Grid® Receptacle, Surface Mount, Dual Row, Right Angle, 16 Circuits

Documents:

[Drawing \(PDF\)](#) [RoHS Certificate of Compliance \(PDF\)](#)
[Product Specification PS-71973-9999 \(PDF\)](#)

General

Product Family	PCB Receptacles
Series	71979
Application	Board-to-Board
Overview	C-Grid® / SL™ Products
Product Name	C-Grid®

Physical

Circuits (Loaded)	16
Glow-Wire Compliant	No
Material - Metal	Phosphor Bronze
Material - Plating Mating	Gold
Material - Plating Termination	Tin
Material - Resin	High Temperature Thermoplastic
Number of Rows	2
Orientation	Right Angle
PCB Locator	Yes
PCB Retention	Yes
Packaging Type	Tube
Pitch - Mating Interface (in)	0.100 In
Pitch - Mating Interface (mm)	2.54 mm
Pitch - Term. Interface (in)	0.100 In
Pitch - Term. Interface (mm)	2.54 mm
Plating min: Mating (µin)	15
Plating min: Mating (µm)	0.38
Plating min: Termination (µin)	75
Plating min: Termination (µm)	1.90
Polarized to PCB	No
Stackable	Yes
Temperature Range - Operating	-40°C to +105°C
Termination Interface: Style	Surface Mount

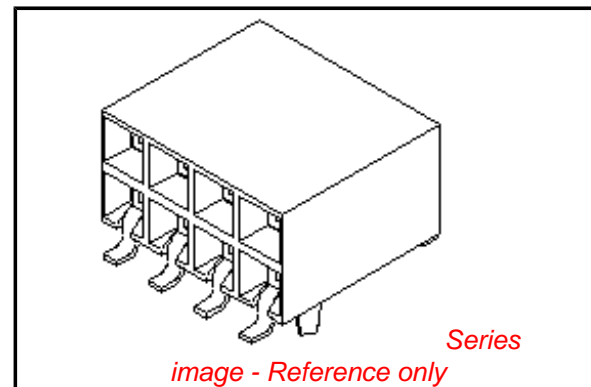
Electrical

Current - Maximum per Contact	1A, 2A, 3A
Voltage - Maximum	500V AC

Material Info

Reference - Drawing Numbers

Product Specification	PS-71973-9999
Sales Drawing	SDA-71979-****



EU RoHS

**ELV and RoHS
Compliant**
**REACH SVHC
Not Reviewed**
**Halogen-Free
Status**

China RoHS



**Need more information on product
environmental compliance?**

Email productcompliance@molex.com
 For a multiple part number RoHS Certificate of Compliance, [click here](#)

Please visit the [Contact Us](#) section for any non-product compliance questions.

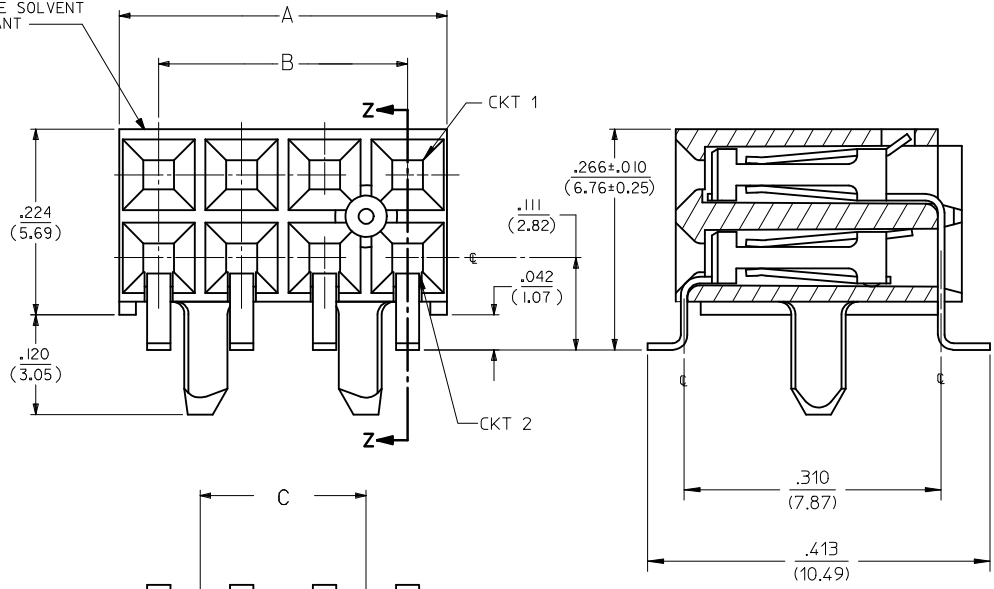
Search Parts in this Series

71979Series

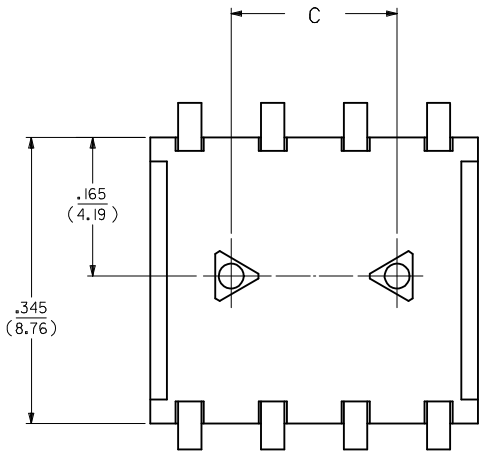
Mates With

87911 Header

4 DIGIT DATE CODE ON THIS SURFACE. MUST BE SOLVENT RESISTANT



SECTION Z-Z



OPTION A ASSEMBLY

(ASSEMBLY WITH PEG AND WITHOUT LOWER ROW PINSTOP)

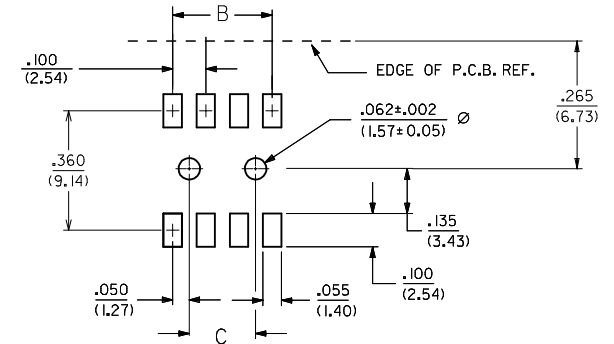
NOTES:

- 1.) MATERIALS:
HOUSING - LCP, 94V-0, BLACK
TERMINAL - PHOS. BRONZE ALLOY
- 2.) 8 CKT SHOWN FOR ILLUSTRATION PURPOSES. SEE CHART ON SHEET 7 FOR OTHER SIZES.
- 3.) SCRATCHES AND BURNISHING ALLOWED ON TERMINAL TAILS PROVIDING BASE METAL IS NOT EXPOSED, EXCEPT AT TRIMMED END.
- 4.) RECOMMENDED MATING PIN LENGTHS:
LOWER ROW - .200" MIN./ .285" MAX.
UPPER ROW - .200" MIN.
- 5.) REFER TO PS-71973-9999 FOR PERFORMANCE DATA.

PLATING:

- 15 GOLD 15 MICROINCH MINIMUM SELECTIVE GOLD IN THE CONTACT AREA; 75 MICROINCH MINIMUM SELECTIVE TIN IN THE PC TAIL AREA OVER 50 MICROINCH MINIMUM NICKEL OVERALL.
- 30 GOLD 30 MICROINCH MINIMUM SELECTIVE GOLD IN THE CONTACT AREA; 75 MICROINCH MINIMUM SELECTIVE TIN IN THE PC TAIL AREA OVER 50 MICROINCH MINIMUM NICKEL OVERALL.
- 50 GOLD 50 MICROINCH MINIMUM SELECTIVE GOLD IN THE CONTACT AREA; 75 MICROINCH MINIMUM SELECTIVE TIN IN THE PC TAIL AREA OVER 50 MICROINCH MINIMUM NICKEL OVERALL.

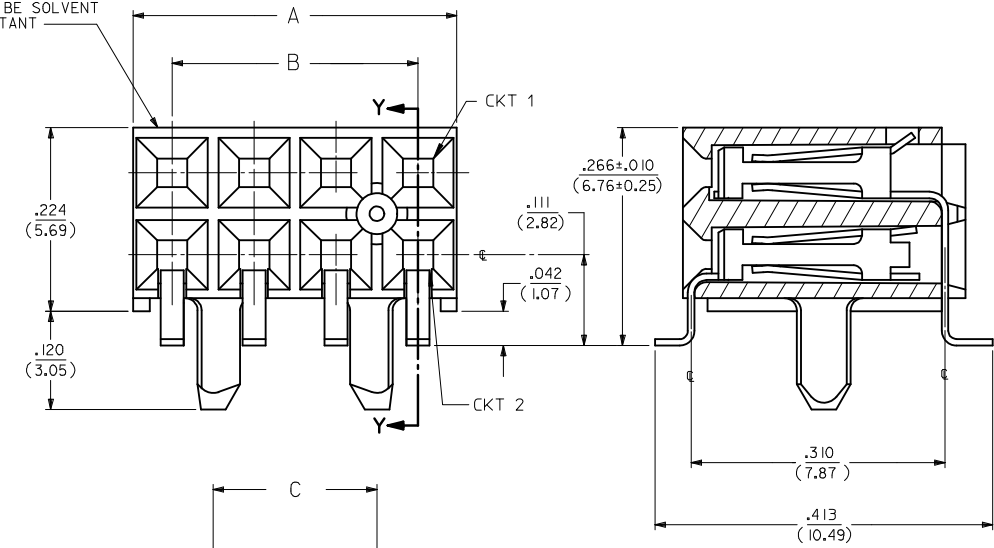
*THE PRIMARY SHIPPING CARTON WILL BE LABELED "COMPLIANT TO RoHS DIRECTIVE 2002/95/EC AND ELV ANNEX II OF DIRECTIVE 2000/53/EC". CARTONS WITHOUT THIS LABEL MAY CONTAIN PRODUCT WITH LEAD.



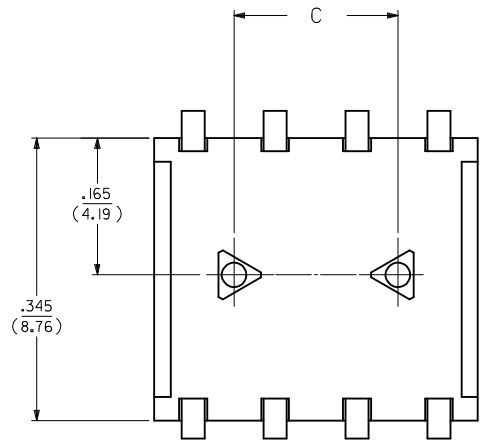
RECOMMENDED P.C.B. LAYOUT

REVISED EC NO: S2009-0814 DRWN:SKANG CHYKD:ATSEE APPR:MLONG	2009/09/01 2009/09/04 2009/09/05	DESCRIPTION H2	QUALITY SYMBOLS	GENERAL TOLERANCES (UNLESS SPECIFIED)	DIMENSION STYLE	SCALE	DESIGN UNITS	THIRD ANGLE PROJECTION
	▽=0 Ⓢ=0		mm INCH 4 PLACES ± --- ± --- 3 PLACES ± --- ± --- 2 PLACES ± --- ± .01 1 PLACE ± 0.25 ± --- ANGULAR ± 1/2°	IN/MM DRAWN BY: DJB DATE: 1995/03/15 CHECKED BY: DJB DATE: 1995/03/15 APPROVED BY: DJB DATE: 1995/03/15	NTS TITLE: SMT RECEPTACLE RIGHT ANGLE, DUAL ROW WITH AND WITHOUT PEG			
	DRAFT WHERE APPLICABLE MUST REMAIN WITHIN DIMENSIONS		SEE TABLE	MATERIAL NO. DOCUMENT NO. SHEET NO. SDA-71979-**** 1 OF 12	MOLEX INCORPORATED			
	THIS DRAWING CONTAINS INFORMATION THAT IS PROPRIETARY TO MOLEX INCORPORATED AND SHOULD NOT BE USED WITHOUT WRITTEN PERMISSION							

4 DIGIT DATE CODE ON THIS SURFACE. MUST BE SOLVENT RESISTANT

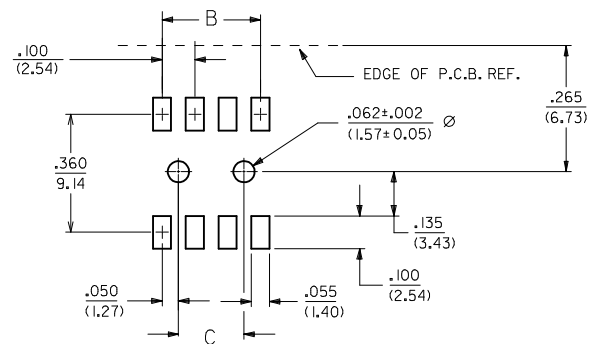


SECTION Y-Y



OPTION B ASSEMBLY

(ASSEMBLY WITH PEG AND LOWER ROW PINSTOP)



RECOMMENDED P.C.B. LAYOUT

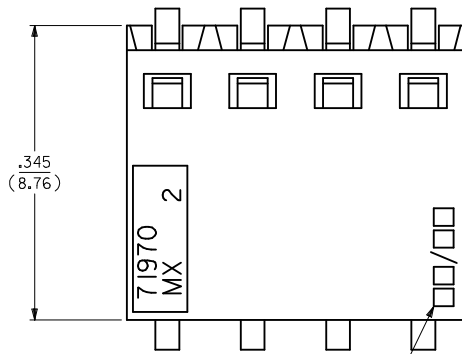
NOTES:

- 1.) MATERIALS:
HOUSING - LCP, 94V-0, BLACK
TERMINAL - PHOS. BRONZE ALLOY
- 2.) 8 CKT SHOWN FOR ILLUSTRATION PURPOSES. SEE CHART ON SHEET 8 FOR OTHER SIZES.
- 3.) SCRATCHES AND BURNISHING ALLOWED ON TERMINAL TAILS PROVIDING BASE METAL IS NOT EXPOSED.
- 4.) RECOMMENDED MATING PIN LENGTHS:
LOWER ROW - .200' MIN./ .250'MAX.
UPPER ROW - .200' MIN.
- 5.) REFER TO PS-71973-9999 FOR PERFORMANCE DATA.

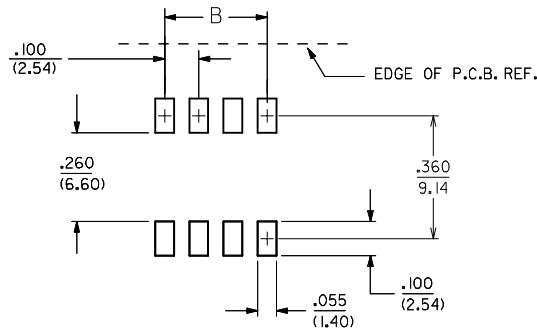
PLATING:

- 15 GOLD 15 MICROINCH MINIMUM SELECTIVE GOLD IN THE CONTACT AREA; 75 MICROINCH MINIMUM SELECTIVE TIN IN THE PC TAIL AREA OVER 50 MICROINCH MINIMUM NICKEL OVERALL.
 - 30 GOLD 30 MICROINCH MINIMUM SELECTIVE GOLD IN THE CONTACT AREA; 75 MICROINCH MINIMUM SELECTIVE TIN IN THE PC TAIL AREA OVER 50 MICROINCH MINIMUM NICKEL OVERALL.
 - 50 GOLD 50 MICROINCH MINIMUM SELECTIVE GOLD IN THE CONTACT AREA; 75 MICROINCH MINIMUM SELECTIVE TIN IN THE PC TAIL AREA OVER 50 MICROINCH MINIMUM NICKEL OVERALL.
- *THE PRIMARY SHIPPING CARTON WILL BE LABELED 'COMPLIANT TO RoHS DIRECTIVE 2002/95/EC AND ELY ANNEX II OF DIRECTIVE 2000/53/EC'. CARTONS WITHOUT THIS LABEL MAY CONTAIN PRODUCT WITH LEAD.

REVISED EC NO: S2009-0814 DRWN:SKANG CHKD:ATSEE APPR:MLONG 2009/09/01 2009/09/04 2009/09/05	QUALITY SYMBOLS	GENERAL TOLERANCES (UNLESS SPECIFIED)	DIMENSION STYLE	SCALE	DESIGN UNITS	THIRD ANGLE PROJECTION
	▼=0 C=0	mm INCH 4 PLACES ± --- ± --- 3 PLACES ± --- ± --- 2 PLACES ± --- ± .01 1 PLACE ± 0.25 ± --- ANGULAR ± 1/2°	IN/MM	NTS	INCH	
	DESCRIPTION	DRAFT WHERE APPLICABLE MUST REMAIN WITHIN DIMENSIONS	DRAWN BY	DATE	TITLE	
	REV		CHECKED BY	DATE	SMT RECEPTACLE RIGHT ANGLE, DUAL ROW WITH AND WITHOUT PEG	
			APPROVED BY	DATE	MATERIAL NO.	DOCUMENT NO.
			DJB	1995/03/15	SEE TABLE	SDA-71979-****
					THIS DRAWING CONTAINS INFORMATION THAT IS PROPRIETARY TO MOLEX INCORPORATED AND SHOULD NOT BE USED WITHOUT WRITTEN PERMISSION	SHEET NO. 2 OF 12



4 DIGIT DATE CODE
SEE NOTE 4

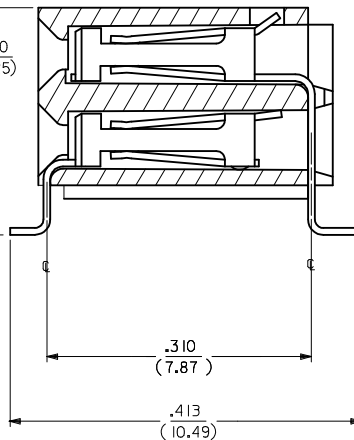
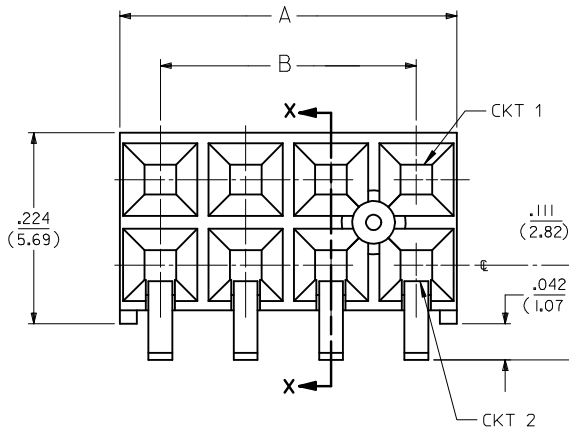


NOTES:

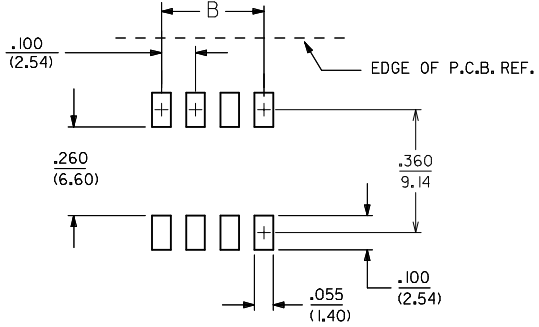
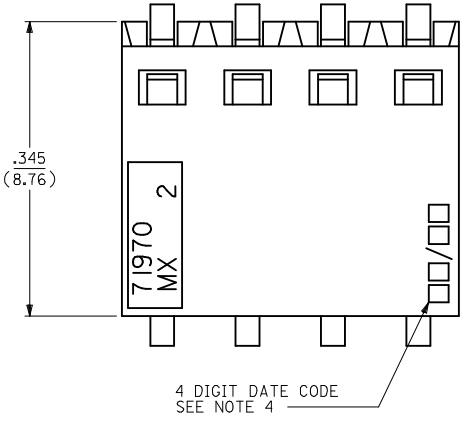
- 1.) MATERIALS:
HOUSING - LCP, 94V-0, BLACK.
TERMINAL - PHOS. BRONZE ALLOY
- 2.) 8 CKT SHOWN FOR ILLUSTRATION PURPOSES.
SEE CHART ON SHEET 9 FOR OTHER SIZES.
- 3.) SCRATCHES AND BURNISHING ALLOWED ON
TERMINAL TAILS PROVIDING BASE METAL
IS NOT EXPOSED.
- 4.) MANUFACTURED DATE CODE WEEK/YEAR.
- 5.) RECOMMENDED MATING PIN LENGTHS:
LOWER ROW - .200" MIN./ .285" MAX.
UPPER ROW - .200" MIN.
- 6.) REFER TO PS-71973-9999 FOR PERFORMANCE DATA.

PLATING:

- 15 GOLD 15 MICROINCH MINIMUM SELECTIVE GOLD IN THE CONTACT AREA; 75 MICROINCH MINIMUM SELECTIVE TIN IN THE PC TAIL AREA OVER 50 MICROINCH MINIMUM NICKEL OVERALL.
 - 30 GOLD 30 MICROINCH MINIMUM SELECTIVE GOLD IN THE CONTACT AREA; 75 MICROINCH MINIMUM SELECTIVE TIN IN THE PC TAIL AREA OVER 50 MICROINCH MINIMUM NICKEL OVERALL.
 - 50 GOLD 50 MICROINCH MINIMUM SELECTIVE GOLD IN THE CONTACT AREA; 75 MICROINCH MINIMUM SELECTIVE TIN IN THE PC TAIL AREA OVER 50 MICROINCH MINIMUM NICKEL OVERALL.
- *THE PRIMARY SHIPPING CARTON WILL BE LABELED "COMPLIANT TO RoHS DIRECTIVE 2002/95/EC AND ELV ANNEX II OF DIRECTIVE 2000/53/EC". CARTONS WITHOUT THIS LABEL MAY CONTAIN PRODUCT WITH LEAD.



REVISED EC NO: S2009-0814 DRWN:SKANG CHKD:ATSEE APPR:MLONG 2009/09/01 2009/09/04 2009/09/05	QUALITY SYMBOLS	GENERAL TOLERANCES (UNLESS SPECIFIED)	DIMENSION STYLE	SCALE	DESIGN UNITS	THIRD ANGLE PROJECTION															
	$\nabla=0$ $\text{C}=0$	<table border="1"> <tr> <th></th> <th>mm</th> <th>INCH</th> </tr> <tr> <td>4 PLACES</td> <td>± ---</td> <td>± ---</td> </tr> <tr> <td>3 PLACES</td> <td>± ---</td> <td>± ---</td> </tr> <tr> <td>2 PLACES</td> <td>± ---</td> <td>± .01</td> </tr> <tr> <td>1 PLACE</td> <td>± 0.25</td> <td>± ---</td> </tr> </table>		mm	INCH	4 PLACES	± ---	± ---	3 PLACES	± ---	± ---	2 PLACES	± ---	± .01	1 PLACE	± 0.25	± ---	IN/MM	NTS	INCH	
		mm	INCH																		
	4 PLACES	± ---	± ---																		
3 PLACES	± ---	± ---																			
2 PLACES	± ---	± .01																			
1 PLACE	± 0.25	± ---																			
DESCRIPTION	ANGULAR ±1/2°	DRAWN BY	DATE	TITLE	SMT RECEPTACLE RIGHT ANGLE, DUAL ROW WITH AND WITHOUT PEG																
H2	DRAFT WHERE APPLICABLE MUST REMAIN WITHIN DIMENSIONS	DJB	1995/03/15	MOLEX	MOLEX INCORPORATED																
		SEE TABLE	1995/03/15	SDA-71979-****	SHEET NO. 3 OF 12																
				THIS DRAWING CONTAINS INFORMATION THAT IS PROPRIETARY TO MOLEX INCORPORATED AND SHOULD NOT BE USED WITHOUT WRITTEN PERMISSION																	

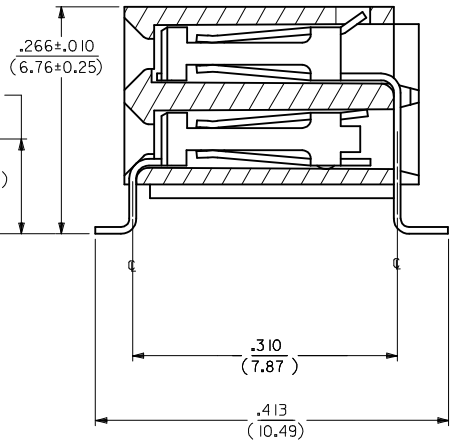
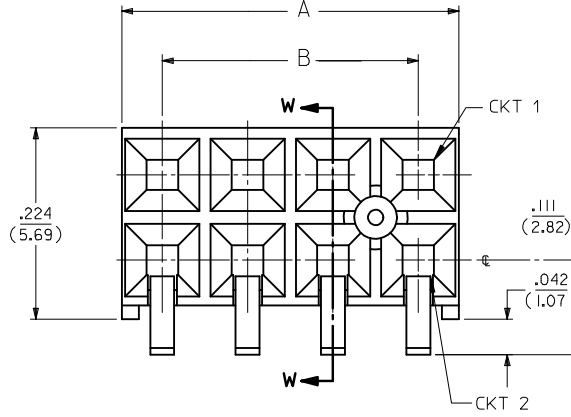


NOTES:

- 1.) MATERIALS:
HOUSING - LCP, 94V-0, BLACK
TERMINAL - PHOS. BRONZE ALLOY
- 2.) 8 CKT FOR ILLUSTRATION PURPOSES.
SEE CHART ON SHEET 10 FOR OTHER SIZES.
- 3.) SCRATCHES AND BURNISHING ALLOWED ON
TERMINAL TAILS PROVIDING BASE METAL
IS NOT EXPOSED.
- 4.) MANUFACTURED DATE CODE WEEK/YEAR.
- 5.) RECOMMENDED MATING PIN LENGTHS:
LOWER ROW - .200" MIN./ .250" MAX.
UPPER ROW - .200" MIN.
- 6.) REFER TO PS-71973-9999 FOR PERFORMANCE DATA.

PLATING:

- 15 GOLD 15 MICROINCH MINIMUM SELECTIVE GOLD IN THE CONTACT AREA; 75 MICROINCH MINIMUM SELECTIVE TIN IN THE PC TAIL AREA OVER 50 MICROINCH MINIMUM NICKEL OVERALL.
 - 30 GOLD 30 MICROINCH MINIMUM SELECTIVE GOLD IN THE CONTACT AREA; 75 MICROINCH MINIMUM SELECTIVE TIN IN THE PC TAIL AREA OVER 50 MICROINCH MINIMUM NICKEL OVERALL.
 - 50 GOLD 50 MICROINCH MINIMUM SELECTIVE GOLD IN THE CONTACT AREA; 75 MICROINCH MINIMUM SELECTIVE TIN IN THE PC TAIL AREA OVER 50 MICROINCH MINIMUM NICKEL OVERALL.
- *THE PRIMARY SHIPPING CARTON WILL BE LABELED "COMPLIANT TO ROHS DIRECTIVE 2002/95/EC AND ELV ANNEX II OF DIRECTIVE 2000/53/EC". CARTONS WITHOUT THIS LABEL MAY CONTAIN PRODUCT WITH LEAD.



REVISED EC NO: S2009-0814 DRWN:SKANG CHKD:ATSEE APPR:MLONG 2009/09/01 2009/09/04 2009/09/05	QUALITY SYMBOLS	GENERAL TOLERANCES (UNLESS SPECIFIED)	DIMENSION STYLE	SCALE	DESIGN UNITS	THIRD ANGLE PROJECTION
	$\nabla=0$ $\text{C}=0$	mm INCH 4 PLACES ± --- ± --- 3 PLACES ± --- ± --- 2 PLACES ± --- ± .01 1 PLACE ± 0.25 ± --- ANGULAR ± 1/2°	IN/MM	NTS	INCH	
	DESCRIPTION	DRAFT WHERE APPLICABLE MUST REMAIN WITHIN DIMENSIONS	DRAWN BY DATE	TITLE	SMT RECEPTACLE RIGHT ANGLE, DUAL ROW WITH AND WITHOUT PEG	
	REV		CHECKED BY DATE	APPROVED BY DATE	MOLEX INCORPORATED	
			MATERIAL NO.	DOCUMENT NO.	SHEET NO.	
			SEE TABLE	SDA-71979-****	4 OF 12	
			THIS DRAWING CONTAINS INFORMATION THAT IS PROPRIETARY TO MOLEX INCORPORATED AND SHOULD NOT BE USED WITHOUT WRITTEN PERMISSION			

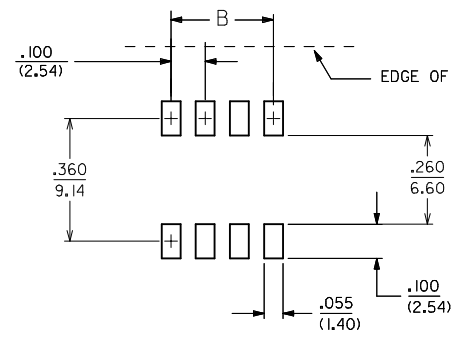
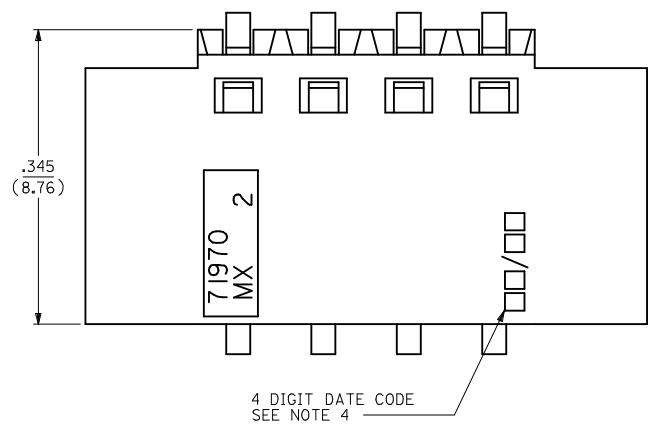
NOTES:

- 1.) MATERIALS:
HOUSING - VECTRA A-130, 94V-0, BLACK
TERMINAL - PHOS. BRONZE ALLOY 521.
- 2.) 8 CKT SHOWN FOR ILLUSTRATION PURPOSES.
SEE CHART ON SHEET 11 FOR OTHER SIZES.
- 3.) SCRATCHES AND BURNISHING ALLOWED ON
TERMINAL TAILS PROVIDING BASE METAL
IS NOT EXPOSED.
- 4.) MANUFACTURED DATE CODE WEEK/YEAR.
- 5.) RECOMMENDED MATING PIN LENGTHS:
LOWER ROW - .200" MIN./ .285" MAX.
UPPER ROW - .200" MIN.
- 6.) REFER TO PS-71973-9999 FOR PERFORMANCE DATA.

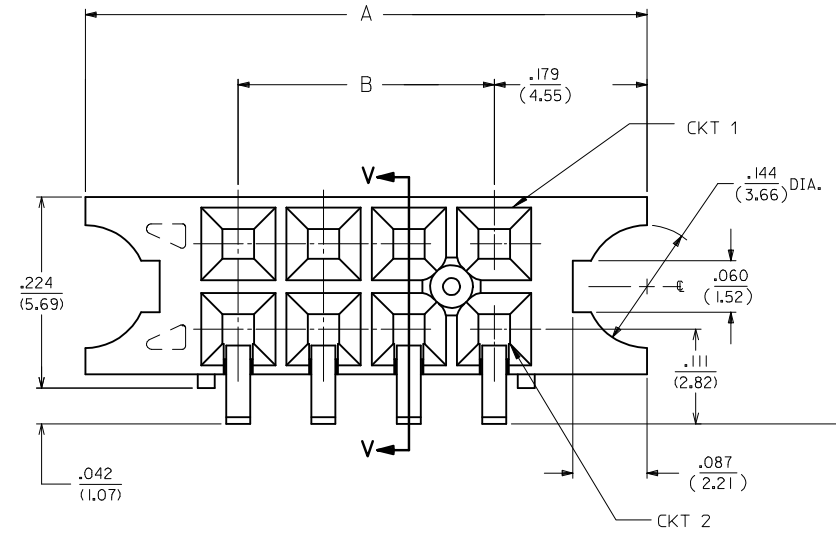
PLATING:

- 15 GOLD 15 MICROINCH MINIMUM SELECTIVE GOLD IN THE CONTACT AREA; 75 MICROINCH MINIMUM SELECTIVE TIN IN THE PC TAIL AREA OVER 50 MICROINCH MINIMUM NICKEL OVERALL.
- 30 GOLD 30 MICROINCH MINIMUM SELECTIVE GOLD IN THE CONTACT AREA; 75 MICROINCH MINIMUM SELECTIVE TIN IN THE PC TAIL AREA OVER 50 MICROINCH MINIMUM NICKEL OVERALL.
- 50 GOLD 50 MICROINCH MINIMUM SELECTIVE GOLD IN THE CONTACT AREA; 75 MICROINCH MINIMUM SELECTIVE TIN IN THE PC TAIL AREA OVER 50 MICROINCH MINIMUM NICKEL OVERALL.

*THE PRIMARY SHIPPING CARTON WILL BE LABELED "COMPLIANT TO RoHS DIRECTIVE 2002/95/EC AND ELV ANNEX II OF DIRECTIVE 2000/53/EC". CARTONS WITHOUT THIS LABEL MAY CONTAIN PRODUCT WITH LEAD.

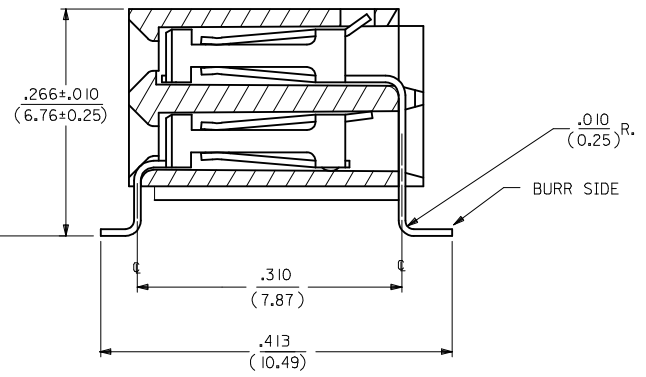


RECOMMENDED P.C.B. LAYOUT



OPTION E ASSEMBLY

(ASSEMBLY WITHOUT PEG OR LOWER ROW PINSTOP, WITH FLANGE)



SECTION V - V

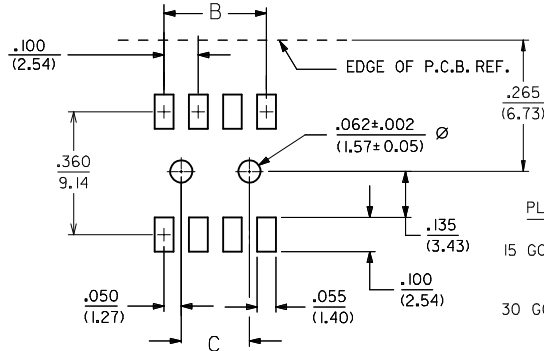
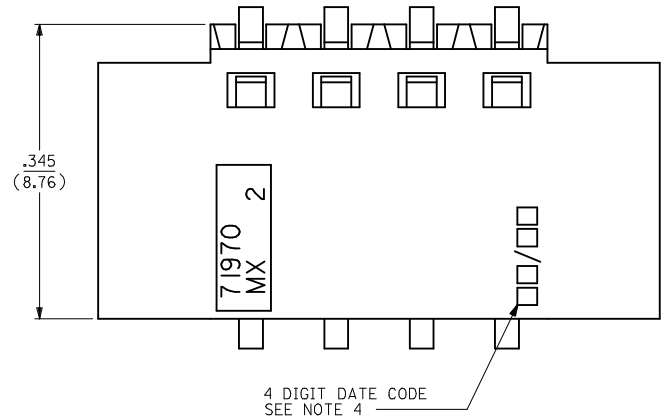
REVISED EC NO: S2009-0814 DRWN:SKANG CHKD:ATSEE APPR:MLONG 2009/09/01 2009/09/04 2009/09/05	QUALITY SYMBOLS	GENERAL TOLERANCES (UNLESS SPECIFIED)	DIMENSION STYLE	SCALE	DESIGN UNITS	THIRD ANGLE PROJECTION
	▽=0 Ⓢ=0	mm INCH 4 PLACES ± --- ± --- 3 PLACES ± --- ± --- 2 PLACES ± --- ± .01 1 PLACE ± 0.25 ± --- ANGULAR ± 1/2°	IN/MM DRAWN BY DATE DJB 1995/03/15 CHECKED BY DATE DJB 1995/03/15 APPROVED BY DATE DJB 1995/03/15	NTS TITLE	INCH SMT RECEPTACLE RIGHT ANGLE, DUAL ROW WITH AND WITHOUT PEG	MOLEX INCORPORATED SDA-71979-**** SHEET NO. 5 OF 12
	DRAFT WHERE APPLICABLE MUST REMAIN WITHIN DIMENSIONS	SEE TABLE	MATERIAL NO.	DOCUMENT NO.		
			SIZE A3	THIS DRAWING CONTAINS INFORMATION THAT IS PROPRIETARY TO MOLEX INCORPORATED AND SHOULD NOT BE USED WITHOUT WRITTEN PERMISSION		

NOTES:

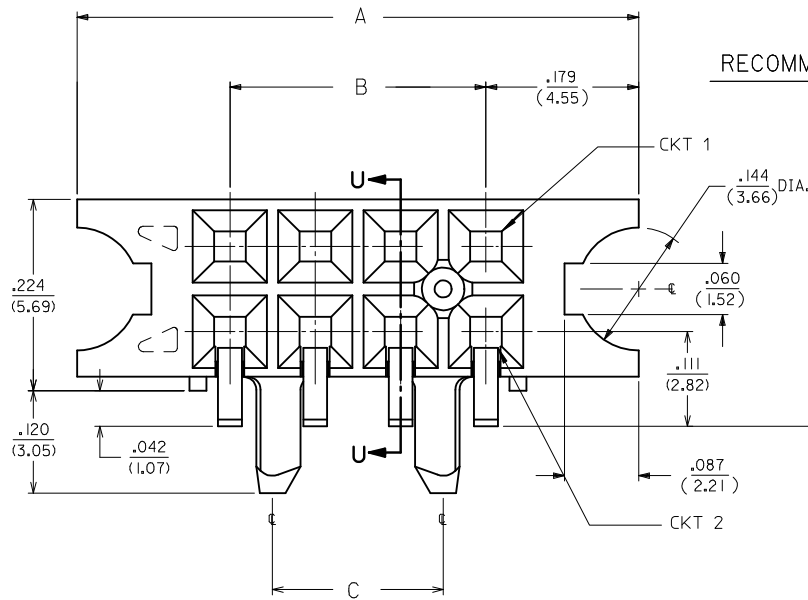
- 1.) MATERIALS:
HOUSING - VECTRA A-130, 94V-0, BLACK
TERMINAL - PHOS. BRONZE ALLOY 521.
- 2.) 8 CKT SHOWN FOR ILLUSTRATION PURPOSES.
SEE CHART ON SHEET 12.
- 3.) SCRATCHES AND BURNISHING ALLOWED ON
TERMINAL TAILS PROVIDING BASE METAL
IS NOT EXPOSED.
- 4.) MANUFACTURED DATE CODE WEEK/YEAR.
- 5.) RECOMMENDED MATING PIN LENGTHS:
LOWER ROW - .200" MIN./ .285" MAX.
UPPER ROW - .200" MIN.
- 6.) REFER TO PS-71973-9999 FOR PERFORMANCE DATA.

PLATING:

- 15 GOLD 15 MICROINCH MINIMUM SELECTIVE GOLD IN THE CONTACT AREA; 75 MICROINCH MINIMUM SELECTIVE TIN IN THE PC TAIL AREA OVER 50 MICROINCH MINIMUM NICKEL OVERALL.
 - 30 GOLD 30 MICROINCH MINIMUM SELECTIVE GOLD IN THE CONTACT AREA; 75 MICROINCH MINIMUM SELECTIVE TIN IN THE PC TAIL AREA OVER 50 MICROINCH MINIMUM NICKEL OVERALL.
 - 50 GOLD 50 MICROINCH MINIMUM SELECTIVE GOLD IN THE CONTACT AREA; 75 MICROINCH MINIMUM SELECTIVE TIN IN THE PC TAIL AREA OVER 50 MICROINCH MINIMUM NICKEL OVERALL.
- *THE PRIMARY SHIPPING CARTON WILL BE LABELED "COMPLIANT TO ROHS DIRECTIVE 2002/95/EC AND ELV ANNEX II OF DIRECTIVE 2000/53/EC". CARTONS WITHOUT THIS LABEL MAY CONTAIN PRODUCT WITH LEAD.

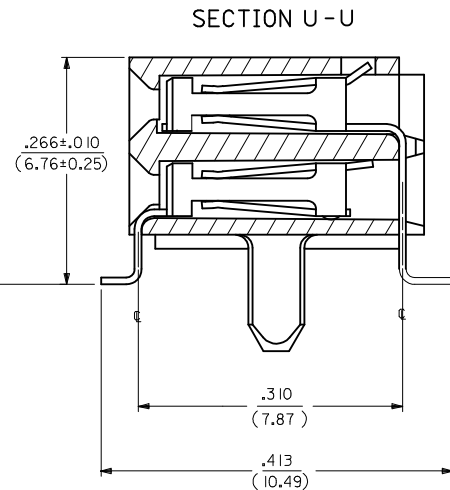


RECOMMENDED P.C.B. LAYOUT



OPTION F ASSEMBLY

(ASSEMBLY WITHOUT LOWER ROW PINSTOP, WITH FLANGE AND PEG)



REVISED EC NO: S2009-0814 DRWN:SKANG CHKD:ATSEE APPR:MLONG 2009/09/01 2009/09/04 2009/09/05	QUALITY SYMBOLS ▽=0 ◻=0	GENERAL TOLERANCES (UNLESS SPECIFIED)		DIMENSION STYLE IN/MM	SCALE NTS	DESIGN UNITS INCH	THIRD ANGLE PROJECTION	
		4 PLACES ± --- ± --- 3 PLACES ± --- ± --- 2 PLACES ± --- ± .01 1 PLACE ± 0.25 ± ---	mm INCH ± --- ± --- ± --- ± --- ± 0.25 ± ---	DRAWN BY DATE DJB 1995/03/15	CHECKED BY DATE DJB 1995/03/15	TITLE SMT RECEPTACLE RIGHT ANGLE, DUAL ROW WITH AND WITHOUT PEG		
		ANGULAR ± 1/2°	APPROVED BY DATE DJB 1995/03/15	MATERIAL NO. SEE TABLE		DOCUMENT NO. SDA-71979-****		
	H2	DRAFT WHERE APPLICABLE MUST REMAIN WITHIN DIMENSIONS	SIZE A3	THIS DRAWING CONTAINS INFORMATION THAT IS PROPRIETARY TO MOLEX INCORPORATED AND SHOULD NOT BE USED WITHOUT WRITTEN PERMISSION				

NO. OF CKTS		OPTION A ASSEMBLY PLATINGS PER ES-88-(***) (SEE SHEET I FOR PLATING SPECIFICATIONS)					DIMENSION				NO. OF CKTS		OPTION A ASSEMBLY PLATINGS PER ES-88-(***) (SEE SHEET I FOR PLATING SPECIFICATIONS)					DIMENSION					
PER ROW	TOTAL	15 GOLD			30 GOLD		50 GOLD		A	B	C	PER ROW	TOTAL	15 GOLD			30 GOLD		50 GOLD		A	B	C
4	8	71979-0204	71979-0304	71979-0404	.395 (10.03)	.300 (7.62)	.200 (5.08)				34	68	71979-0234	71979-0334	71979-0434	3.395 (86.23)	3.300 (83.82)	3.200 (81.28)					
5	10	71979-0205	71979-0305	71979-0405	.495 (12.57)	.400 (10.16)	.300 (7.62)				35	70	71979-0235	71979-0335	71979-0435	3.495 (88.77)	3.400 (86.36)	3.300 (83.82)					
6	12	71979-0206	71979-0306	71979-0406	.595 (15.11)	.500 (12.70)	.400 (10.16)				36	72	71979-0236	71979-0336	71979-0436	3.595 (91.31)	3.500 (88.90)	3.400 (86.36)					
7	14	71979-0207	71979-0307	71979-0407	.695 (17.65)	.600 (15.24)	.500 (12.70)																
8	16	71979-0208	71979-0308	71979-0408	.795 (20.19)	.700 (17.78)	.600 (15.24)																
9	18	71979-0209	71979-0309	71979-0409	.895 (22.73)	.800 (20.32)	.700 (17.78)																
10	20	71979-0210	71979-0310	71979-0410	.995 (25.27)	.900 (22.86)	.800 (20.32)																
11	22	71979-0211	71979-0311	71979-0411	1.095 (27.81)	1.000 (25.40)	.900 (22.86)																
12	24	71979-0212	71979-0312	71979-0412	1.195 (30.35)	1.100 (27.94)	1.000 (25.40)																
13	26	71979-0213	71979-0313	71979-0413	1.295 (32.89)	1.200 (30.48)	1.100 (27.94)																
14	28	71979-0214	71979-0314	71979-0414	1.395 (35.43)	1.300 (33.02)	1.200 (30.48)																
15	30	71979-0215	71979-0315	71979-0415	1.495 (37.97)	1.400 (35.56)	1.300 (33.02)																
16	32	71979-0216	71979-0316	71979-0416	1.595 (40.51)	1.500 (38.10)	1.400 (35.56)																
17	34	71979-0217	71979-0317	71979-0417	1.695 (43.05)	1.600 (40.64)	1.500 (38.10)																
18	36	71979-0218	71979-0318	71979-0418	1.795 (45.59)	1.700 (43.18)	1.600 (40.64)																
19	38	71979-0219	71979-0319	71979-0419	1.895 (48.13)	1.800 (45.72)	1.700 (43.18)																
20	40	71979-0220	71979-0320	71979-0420	1.995 (50.67)	1.900 (48.26)	1.800 (45.72)																
21	42	71979-0221	71979-0321	71979-0421	2.095 (53.21)	2.000 (50.80)	1.900 (48.26)																
22	44	71979-0222	71979-0322	71979-0422	2.195 (55.75)	2.100 (53.34)	2.000 (50.80)																
23	46	71979-0223	71979-0323	71979-0423	2.295 (58.29)	2.200 (55.88)	2.100 (53.34)																
24	48	71979-0224	71979-0324	71979-0424	2.395 (60.83)	2.300 (58.42)	2.200 (55.88)																
25	50	71979-0225	71979-0325	71979-0425	2.495 (63.37)	2.400 (60.96)	2.300 (58.42)																
26	52	71979-0226	71979-0326	71979-0426	2.595 (65.91)	2.500 (63.50)	2.400 (60.96)																
27	54	71979-0227	71979-0327	71979-0427	2.695 (68.45)	2.600 (66.04)	2.500 (63.50)																
28	56	71979-0228	71979-0328	71979-0428	2.795 (70.99)	2.700 (68.58)	2.600 (66.04)																
29	58	71979-0229	71979-0329	71979-0429	2.895 (73.53)	2.800 (71.12)	2.700 (68.58)																
30	60	71979-0230	71979-0330	71979-0430	2.995 (76.07)	2.900 (73.66)	2.800 (71.12)																
31	62	71979-0231	71979-0331	71979-0431	3.095 (78.61)	3.000 (76.20)	2.900 (73.66)																
32	64	71979-0232	71979-0332	71979-0432	3.195 (81.15)	3.100 (78.74)	3.000 (76.20)																
33	66	71979-0233	71979-0333	71979-0433	3.295 (83.69)	3.200 (81.28)	3.100 (78.74)																

NOTE: ALL CONNECTORS ARE PACKAGED IN TUBES PER PK-70873-0138

"X" INDICATES TOOLING IS NOT AVAILABLE.

REVISED
EC NO: S2009-0814
DRWN:SKANG
CHKD:ATSEE
APPR:MLONG
2009/09/01
2009/09/04
2009/09/05

QUALITY SYMBOLS
▽=0
◁=0
DESCRIPTION
REV

GENERAL TOLERANCES (UNLESS SPECIFIED)
mm INCH
4 PLACES ± --- ± ---
3 PLACES ± --- ± ---
2 PLACES ± --- ± .01
1 PLACE ± 0.25 ± ---
ANGULAR ± 1/2°
DRAFT WHERE APPLICABLE
MUST REMAIN WITHIN DIMENSIONS

DIMENSION STYLE
IN/MM
DRAWN BY DATE
DJB 1995/03/15
CHECKED BY DATE
DJB 1995/03/15
APPROVED BY DATE
DJB 1995/03/15
MATERIAL NO.
SEE TABLE
SIZE
A3

SCALE
NTS
DESIGN UNITS
INCH
THIRD ANGLE PROJECTION
TITLE
SMT RECEPTACLE
RIGHT ANGLE, DUAL ROW
WITH AND WITHOUT PEG
MOLEX INCORPORATED
DOCUMENT NO.
SDA-71979-****
SHEET NO.
7 OF 12
THIS DRAWING CONTAINS INFORMATION THAT IS PROPRIETARY TO MOLEX INCORPORATED AND SHOULD NOT BE USED WITHOUT WRITTEN PERMISSION

10		9		8		7		6		5		4		3		2		1					
NO. OF CKTS		OPTION B ASSEMBLY PLATINGS PER ES-88-**** (SEE SHEET I FOR PLATING SPECIFICATIONS)						DIMENSION				NO. OF CKTS		OPTION B ASSEMBLY PLATINGS PER ES-88-**** (SEE SHEET I FOR PLATING SPECIFICATIONS)						DIMENSION			
PER ROW	TOTAL			15 GOLD	30 GOLD	50 GOLD	A	B	C	PER ROW	TOTAL			15 GOLD	30 GOLD	50 GOLD	A	B	C				
F	4	8		71979-1004	71979-1104	71979-1204	.395 (10.03)	.300 (7.62)	.200 (5.08)	34	68		71979-1034	71979-1134	71878-1234	3.395 (86.23)	3.300 (83.82)	3.200 (81.28)					
	5	10		71979-1005	71979-1105	71979-1205	.495 (12.57)	.400 (10.16)	.300 (7.62)		35	70		71979-1035	71979-1135	71878-1235	3.495 (88.77)	3.400 (86.36)	3.300 (83.82)				
	6	12		71979-1006	71979-1106	71979-1206	.595 (15.11)	.500 (12.70)	.400 (10.16)		36	72		71979-1036	71979-1136	71878-1236	3.595 (91.31)	3.500 (88.90)	3.400 (86.36)				
	7	14		71979-1007	71979-1107	71979-1207	.695 (17.65)	.600 (15.24)	.500 (12.70)														
	8	16		71979-1008	71979-1108	71979-1208	.795 (20.19)	.700 (17.78)	.600 (15.24)														
	9	18		71979-1009	71979-1109	71979-1209	.895 (22.73)	.800 (20.32)	.700 (17.78)														
	10	20		71979-1010	71979-1110	71979-1210	.995 (25.27)	.900 (22.86)	.800 (20.32)														
E	11	22		71979-1011	71979-1111	71979-1211	1.095 (27.81)	1.000 (25.40)	.900 (22.86)														
	12	24		71979-1012	71979-1112	71979-1212	1.195 (30.35)	1.100 (27.94)	1.000 (25.40)														
	13	26		71979-1013	71979-1113	71979-1213	1.295 (32.89)	1.200 (30.48)	1.100 (27.94)														
	14	28		71979-1014	71979-1114	71979-1214	1.395 (35.43)	1.300 (33.02)	1.200 (30.48)														
	15	30		71979-1015	71979-1115	71979-1215	1.495 (37.97)	1.400 (35.56)	1.300 (33.02)														
	16	32		71979-1016	71979-1116	71979-1216	1.595 (40.51)	1.500 (38.10)	1.400 (35.56)														
	17	34		71979-1017	71979-1117	71979-1217	1.695 (43.05)	1.600 (40.64)	1.500 (38.10)														
D	18	36		71979-1018	71979-1118	71979-1218	1.795 (45.59)	1.700 (43.18)	1.600 (40.64)														
	19	38		71979-1019	71979-1119	71979-1219	1.895 (48.13)	1.800 (45.72)	1.700 (43.18)														
	20	40		71979-1020	71979-1120	71979-1220	1.995 (50.67)	1.900 (48.26)	1.800 (45.72)														
	21	42		71979-1021	71979-1121	71979-1221	2.095 (53.21)	2.000 (50.80)	1.900 (48.26)														
	22	44		71979-1022	71979-1122	71979-1222	2.195 (55.75)	2.100 (53.34)	2.000 (50.80)														
	23	46		71979-1023	71979-1123	71979-1223	2.295 (58.29)	2.200 (55.88)	2.100 (53.34)														
	24	48		71979-1024	71979-1124	71979-1224	2.395 (60.83)	2.300 (58.42)	2.200 (55.88)														
	25	50		71979-1025	71979-1125	71979-1225	2.495 (63.37)	2.400 (60.96)	2.300 (58.42)														
C	26	52		71979-1026	71979-1126	71979-1226	2.595 (65.91)	2.500 (63.50)	2.400 (60.96)														
	27	54		71979-1027	71979-1127	71979-1227	2.695 (68.45)	2.600 (66.04)	2.500 (63.50)														
	28	56		71979-1028	71979-1128	71979-1228	2.795 (70.99)	2.700 (68.58)	2.600 (66.04)														
	29	58		71979-1029	71979-1129	71979-1229	2.895 (73.53)	2.800 (71.12)	2.700 (68.58)														
	30	60		71979-1030	71979-1130	71979-1230	2.995 (76.07)	2.900 (73.66)	2.800 (71.12)														
	31	62		71979-1031	71979-1131	71979-1231	3.095 (78.61)	3.000 (76.20)	2.900 (73.66)														
	32	64		71979-1032	71979-1132	71979-1232	3.195 (81.15)	3.100 (78.74)	3.000 (76.20)														
B	33	66		71979-1033	71979-1133	71979-1233	3.295 (83.69)	3.200 (81.28)	3.100 (78.74)														

NOTE: ALL CONNECTORS ARE PACKAGED IN TUBES PER PK-70873-0138

"X" INDICATES TOOLING IS NOT AVAILABLE.

REVISED EC NO: S2009-0814 DRWN:SKANG CHKD:ATSEE APPR:MLONG 2009/09/01 2009/09/04 2009/09/05	QUALITY SYMBOLS	GENERAL TOLERANCES (UNLESS SPECIFIED)		DIMENSION STYLE		SCALE	DESIGN UNITS	THIRD ANGLE PROJECTION
	▽=0 ◁=0	mm	INCH	IN/MM		NTS	INCH	
		4 PLACES ± --- ± ---	3 PLACES ± --- ± ---	DRAWN BY	DATE	TITLE		
		2 PLACES ± --- ± .01	1 PLACE ± 0.25 ± ---	CHECKED BY	DATE	SMT RECEPTACLE RIGHT ANGLE, DUAL ROW WITH AND WITHOUT PEG		
	ANGULAR ± 1/2°	DRAFT WHERE APPLICABLE MUST REMAIN WITHIN DIMENSIONS		APPROVED BY	DATE	MOLEX INCORPORATED		
		SEE TABLE		MATERIAL NO.	DOCUMENT NO.	SDA-71979-****		
				SIZE	THIS DRAWING CONTAINS INFORMATION THAT IS PROPRIETARY TO MOLEX INCORPORATED AND SHOULD NOT BE USED WITHOUT WRITTEN PERMISSION			
				A3		SHEET NO. 8 OF 12		

NO. OF CKTS		PACKAGING: TUBES PER PK-70873-0138 TAPE AND REEL PER PK-70873-0918	OPTION C ASSEMBLY PLATINGS PER ES-88-(****) (SEE SHEET 1 FOR PLATING SPECIFICATIONS)			DIMENSION	
PER ROW	TOTAL		15 GOLD	30 GOLD	50 GOLD	A	B
4	8	PK-70873-0138					
		PK-70873-0918	X				
5	10	PK-70873-0138					
		PK-70873-0918	X				
6	12	PK-70873-0138					
		PK-70873-0918	X				
7	14	PK-70873-0138					
		PK-70873-0918	X				
8	16	PK-70873-0138					
		PK-70873-0918	X				
9	18	PK-70873-0138					
		PK-70873-0918	X				
10	20	PK-70873-0138					
		PK-70873-0918	X				
11	22	PK-70873-0138					
		PK-70873-0918	X				
12	24	PK-70873-0138					
		PK-70873-0918	X				
13	26	PK-70873-0138					
		PK-70873-0918	X				
14	28	PK-70873-0138					
		PK-70873-0918	X				
15	30	PK-70873-0138					
		PK-70873-0918	X				
16	32	PK-70873-0138					
		PK-70873-0918	X				
17	34	PK-70873-0138					
		PK-70873-0918	X				
18	36	PK-70873-0138					
		PK-70873-0918	X				
19	38	PK-70873-0138					
		PK-70873-0918	X				

NO. OF CKTS		PACKAGING: TUBES PER PK-70873-0138	OPTION C ASSEMBLY PLATINGS PER ES-88-(****) (SEE SHEET 1 FOR PLATING SPECIFICATIONS)			DIMENSION	
PER ROW	TOTAL		15 GOLD	30 GOLD	50 GOLD	A	B
20	40	PK-70873-0138					
21	42	PK-70873-0138					
22	44	PK-70873-0138					
23	46	PK-70873-0138					
24	48	PK-70873-0138					
25	50	PK-70873-0138					
26	52	PK-70873-0138					
27	54	PK-70873-0138					
28	56	PK-70873-0138					
29	58	PK-70873-0138					
30	60	PK-70873-0138					
31	62	PK-70873-0138					
32	64	PK-70873-0138					
33	66	PK-70873-0138					
34	68	PK-70873-0138					
35	70	PK-70873-0138					
36	72	PK-70873-0138					

"X" INDICATES TOOLING IS NOT AVAILABLE.

REVISED
EC NO: S2009-0814
2009/09/01
DRWN:SKANG
2009/09/04
CHKD:ATSEE
2009/09/05
APPR:MLONG

QUALITY SYMBOLS
▽=0
◻=0

GENERAL TOLERANCES (UNLESS SPECIFIED)

	mm	INCH
4 PLACES	± .005	± .0004
3 PLACES	± .005	± .0004
2 PLACES	± .005	± .0004
1 PLACE	± 0.25	± .010
ANGULAR ± 1/2°		

DRAFT WHERE APPLICABLE
MUST REMAIN
WITHIN DIMENSIONS

DIMENSION STYLE
IN/MM

DRAWN BY: DJB
DATE: 1995/03/15

CHECKED BY: DJB
DATE: 1995/03/15

APPROVED BY: DJB
DATE: 1995/03/15

MATERIAL NO. SEE TABLE

SCALE
NTS

DESIGN UNITS
INCH

THIRD ANGLE PROJECTION

SMT RECEPTACLE
RIGHT ANGLE, DUAL ROW
WITH AND WITHOUT PEG

MOLEX INCORPORATED

SDA-71979-****

SHEET NO. 9 OF 12

THIS DRAWING CONTAINS INFORMATION THAT IS PROPRIETARY TO MOLEX INCORPORATED AND SHOULD NOT BE USED WITHOUT WRITTEN PERMISSION

NO. OF CKTS		OPTION D ASSEMBLY PLATINGS PER ES-88-**** (SEE SHEET 1 FOR PLATING SPECIFICATIONS)					DIMENSION			NO. OF CKTS		OPTION D ASSEMBLY PLATINGS PER ES-88-**** (SEE SHEET 1 FOR PLATING SPECIFICATIONS)					DIMENSION		
PER ROW	TOTAL		15 GOLD	30 GOLD	50 GOLD	A	B		PER ROW	TOTAL		15 GOLD	30 GOLD	50 GOLD	A	B			
4	8		7 1979-2604	7 1979-2704	7 1979-2804	.395 (10.03)	.300 (7.62)		34	68		7 1979-2634	7 1979-2734	7 1979-2834	3.395 (86.23)	3.300 (83.82)			
5	10		7 1979-2605	7 1979-2705	7 1979-2805	.495 (12.57)	.400 (10.16)		35	70		7 1979-2635	7 1979-2735	7 1979-2835	3.495 (88.77)	3.400 (86.36)			
6	12		7 1979-2606	7 1979-2706	7 1979-2806	.595 (15.11)	.500 (12.70)		36	72		7 1979-2636	7 1979-2736	7 1979-2836	3.595 (91.31)	3.500 (88.90)			
7	14		7 1979-2607	7 1979-2707	7 1979-2807	.695 (17.65)	.600 (15.24)												
8	16		7 1979-2608	7 1979-2708	7 1979-2808	.795 (20.19)	.700 (17.78)												
9	18		7 1979-2609	7 1979-2709	7 1979-2809	.895 (22.73)	.800 (20.32)												
10	20		7 1979-2610	7 1979-2710	7 1979-2810	.995 (25.27)	.900 (22.86)												
11	22		7 1979-2611	7 1979-2711	7 1979-2811	1.095 (27.81)	1.000 (25.40)												
12	24		7 1979-2612	7 1979-2712	7 1979-2812	1.195 (30.35)	1.100 (27.94)												
13	26		7 1979-2613	7 1979-2713	7 1979-2813	1.295 (32.89)	1.200 (30.48)												
14	28		7 1979-2614	7 1979-2714	7 1979-2814	1.395 (35.43)	1.300 (33.02)												
15	30		7 1979-2615	7 1979-2715	7 1979-2815	1.495 (37.97)	1.400 (35.56)												
16	32		7 1979-2616	7 1979-2716	7 1979-2816	1.595 (40.51)	1.500 (38.10)												
17	34		7 1979-2617	7 1979-2717	7 1979-2817	1.695 (43.05)	1.600 (40.64)												
18	36		7 1979-2618	7 1979-2718	7 1979-2818	1.795 (45.59)	1.700 (43.18)												
19	38		7 1979-2619	7 1979-2719	7 1979-2819	1.895 (48.13)	1.800 (45.72)												
20	40		7 1979-2620	7 1979-2720	7 1979-2820	1.995 (50.67)	1.900 (48.26)												
21	42		7 1979-2621	7 1979-2721	7 1979-2821	2.095 (53.21)	2.000 (50.80)												
22	44		7 1979-2622	7 1979-2722	7 1979-2822	2.195 (55.75)	2.100 (53.34)												
23	46		7 1979-2623	7 1979-2723	7 1979-2823	2.295 (58.29)	2.200 (55.88)												
24	48		7 1979-2624	7 1979-2724	7 1979-2824	2.395 (60.83)	2.300 (58.42)												
25	50		7 1979-2625	7 1979-2725	7 1979-2825	2.495 (63.37)	2.400 (60.96)												
26	52		7 1979-2626	7 1979-2726	7 1979-2826	2.595 (65.91)	2.500 (63.50)												
27	54		7 1979-2627	7 1979-2727	7 1979-2827	2.695 (68.45)	2.600 (66.04)												
28	56		7 1979-2628	7 1979-2728	7 1979-2828	2.795 (70.99)	2.700 (68.58)												
29	58		7 1979-2629	7 1979-2729	7 1979-2829	2.895 (73.53)	2.800 (71.12)												
30	60		7 1979-2630	7 1979-2730	7 1979-2830	2.995 (76.07)	2.900 (73.66)												
31	62		7 1979-2631	7 1979-2731	7 1979-2831	3.095 (78.61)	3.000 (76.20)												
32	64		7 1979-2632	7 1979-2732	7 1979-2832	3.195 (81.15)	3.100 (78.74)												
33	66		7 1979-2633	7 1979-2733	7 1979-2833	3.295 (83.69)	3.200 (81.28)												

NOTE: ALL CONNECTORS ARE PACKAGED IN TUBES PER PK-70873-0138

X INDICATES TOOLING IS NOT AVAILABLE.

REVISED
EC NO: S2009-0814
2009/09/01
DRWN:SKANG
CHKD:ATSEE
2009/09/04
APPR:MLONG
2009/09/05

QUALITY SYMBOLS
▽=0
◻=0

GENERAL TOLERANCES (UNLESS SPECIFIED)

	mm	INCH
4 PLACES	± ---	± ---
3 PLACES	± ---	± ---
2 PLACES	± ---	± .01
1 PLACE	± 0.25	± ---
ANGULAR ± 1/2°		

DRAFT WHERE APPLICABLE
MUST REMAIN
WITHIN DIMENSIONS

DIMENSION STYLE
IN/MM

DRAWN BY: DJB
DATE: 1995/03/15

CHECKED BY: DJB
DATE: 1995/03/15

APPROVED BY: DJB
DATE: 1995/03/15

MATERIAL NO. SEE TABLE

SCALE NTS

DESIGN UNITS INCH

THIRD ANGLE PROJECTION

TITLE
SMT RECEPTACLE
RIGHT ANGLE, DUAL ROW
WITH AND WITHOUT PEG

MOLEX MOLEX INCORPORATED

DOCUMENT NO. SDA-71979-****

SHEET NO. 10 OF 12

THIS DRAWING CONTAINS INFORMATION THAT IS PROPRIETARY TO MOLEX INCORPORATED AND SHOULD NOT BE USED WITHOUT WRITTEN PERMISSION

10		9		8		7		6		5		4		3		2		1					
NO. OF CKTS		OPTION F ASSEMBLY PLATING PER ES-88-(***) (SEE SHEET 1 FOR PLATING SPECIFICATIONS)						DIMENSION				NO. OF CKTS		OPTION F ASSEMBLY PLATING PER ES-88-(***) (SEE SHEET 1 FOR PLATING SPECIFICATIONS)						DIMENSION			
PER ROW	TOTAL	15 GOLD		30 GOLD		50 GOLD		A	B	C	PER ROW	TOTAL	15 GOLD		30 GOLD		50 GOLD		A	B	C		
4	8	71979-3404	71979-3504	71979-3604	.658 (16.71)	.300 (7.62)	.200 (5.08)				34	68	71979-3434	71979-3534	71979-3634	3.658 (92.91)	3.300 (83.82)	3.200 (81.28)					
5	10	71979-3405	71979-3505	71979-3605	.758 (19.25)	.400 (10.16)	.300 (7.62)				35	70	71979-3435	71979-3535	71979-3635	3.758 (95.45)	3.400 (86.36)	3.300 (83.82)					
6	12	71979-3406	71979-3506	71979-3606	.858 (21.79)	.500 (12.70)	.400 (10.16)				36	72	71979-3436	71979-3536	71979-3636	3.858 (97.99)	3.500 (88.90)	3.400 (86.36)					
7	14	71979-3407	71979-3507	71979-3607	.958 (24.33)	.600 (15.24)	.500 (12.70)																
8	16	71979-3408	71979-3508	71979-3608	1.058 (26.87)	.700 (17.78)	.600 (15.24)																
9	18	71979-3409	71979-3509	71979-3609	1.158 (29.41)	.800 (20.32)	.700 (17.78)																
10	20	71979-3410	71979-3510	71979-3610	1.258 (31.95)	.900 (22.86)	.800 (20.32)																
11	22	71979-3411	71979-3511	71979-3611	1.358 (34.49)	1.000 (25.40)	.900 (22.86)																
12	24	71979-3412	71979-3512	71979-3612	1.458 (37.03)	1.100 (27.94)	1.000 (25.40)																
13	26	71979-3413	71979-3513	71979-3613	1.558 (39.57)	1.200 (30.48)	1.100 (27.94)																
14	28	71979-3414	71979-3514	71979-3614	1.658 (42.11)	1.300 (33.02)	1.200 (30.48)																
15	30	71979-3415	71979-3515	71979-3615	1.758 (44.65)	1.400 (35.56)	1.300 (33.02)																
16	32	71979-3416	71979-3516	71979-3616	1.858 (47.19)	1.500 (38.10)	1.400 (35.56)																
17	34	71979-3417	71979-3517	71979-3617	1.958 (49.73)	1.600 (40.64)	1.500 (38.10)																
18	36	71979-3418	71979-3518	71979-3618	2.058 (52.27)	1.700 (43.18)	1.600 (40.64)																
19	38	71979-3419	71979-3519	71979-3619	2.158 (54.81)	1.800 (45.72)	1.700 (43.18)																
20	40	71979-3420	71979-3520	71979-3620	2.258 (57.35)	1.900 (48.26)	1.800 (45.72)																
21	42	71979-3421	71979-3521	71979-3621	2.358 (59.89)	2.000 (50.80)	1.900 (48.26)																
22	44	71979-3422	71979-3522	71979-3622	2.458 (62.43)	2.100 (53.34)	2.000 (50.80)																
23	46	71979-3423	71979-3523	71979-3623	2.558 (64.97)	2.200 (55.88)	2.100 (53.34)																
24	48	71979-3424	71979-3524	71979-3624	2.658 (67.51)	2.300 (58.42)	2.200 (55.88)																
25	50	71979-3425	71979-3525	71979-3625	2.758 (70.05)	2.400 (60.96)	2.300 (58.42)																
26	52	71979-3426	71979-3526	71979-3626	2.858 (72.59)	2.500 (63.50)	2.400 (60.96)																
27	54	71979-3427	71979-3527	71979-3627	2.958 (75.13)	2.600 (66.04)	2.500 (63.50)																
28	56	71979-3428	71979-3528	71979-3628	3.058 (77.67)	2.700 (68.58)	2.600 (66.04)																
29	58	71979-3429	71979-3529	71979-3629	3.158 (80.21)	2.800 (71.12)	2.700 (68.58)																
30	60	71979-3430	71979-3530	71979-3630	3.258 (82.75)	2.900 (73.66)	2.800 (71.12)																
31	62	71979-3431	71979-3531	71979-3631	3.358 (85.29)	3.000 (76.20)	2.900 (73.66)																
32	64	71979-3432	71979-3532	71979-3632	3.458 (87.83)	3.100 (78.74)	3.000 (76.20)																
33	66	71979-3433	71979-3533	71979-3633	3.558 (90.37)	3.200 (81.28)	3.100 (78.74)																

NOTE: ALL CONNECTORS ARE PACKAGED IN TUBES PER PK-70873-0139
"X" INDICATES TOOLING IS NOT AVAILABLE.

REVISED
EC NO: S2009-0814
DRWN:SKANG
CHKD:ATSEE
APPR:MLONG
2009/09/01
2009/09/04
2009/09/05

QUALITY SYMBOLS
▽=0
◻=0

GENERAL TOLERANCES (UNLESS SPECIFIED)

	mm	INCH
4 PLACES	± ---	± ---
3 PLACES	± ---	± ---
2 PLACES	± ---	± .01
1 PLACE	± 0.25	± ---
ANGULAR ± 1/2°		

DRAFT WHERE APPLICABLE
MUST REMAIN
WITHIN DIMENSIONS

DIMENSION STYLE
IN/MM

DRAWN BY: DJB
DATE: 1995/03/15

CHECKED BY: DJB
DATE: 1995/03/15

APPROVED BY: DJB
DATE: 1995/03/15

MATERIAL NO. SEE TABLE

SIZE: A3

SCALE: NTS

DESIGN UNITS: INCH

THIRD ANGLE PROJECTION

TITLE: SMT RECEPTACLE
RIGHT ANGLE, DUAL ROW
WITH AND WITHOUT PEG

MOLEX INCORPORATED

DOCUMENT NO. SDA-71979-****

SHEET NO. 12 OF 12

THIS DRAWING CONTAINS INFORMATION THAT IS PROPRIETARY TO MOLEX INCORPORATED AND SHOULD NOT BE USED WITHOUT WRITTEN PERMISSION