

PLEASE CHECK WWW.MOLEX.COM FOR LATEST PART INFORMATION

Part Number: [0719792616](#)
Status: **Active**
Overview: [cgrid_sl_products](#)
Description: 2.54mm (.100") Pitch C-Grid® Receptacle, Surface Mount, Dual Row, Right Angle, 32 Circuits

Documents:

[Drawing \(PDF\)](#) [RoHS Certificate of Compliance \(PDF\)](#)
[Product Specification PS-71973-9999 \(PDF\)](#)

General

Product Family	PCB Receptacles
Series	71979
Application	Board-to-Board
Overview	cgrid_sl_products
Product Name	C-Grid®

Physical

Circuits (Loaded)	32
Glow-Wire Compliant	No
Material - Metal	Phosphor Bronze
Material - Plating Mating	Gold
Material - Plating Termination	Tin
Material - Resin	High Temperature Thermoplastic
Number of Rows	2
Orientation	Right Angle
PCB Locator	Yes
PCB Retention	Yes
Packaging Type	Tube
Pitch - Mating Interface (in)	0.100 In
Pitch - Mating Interface (mm)	2.54 mm
Pitch - Term. Interface (in)	0.100 In
Pitch - Term. Interface (mm)	2.54 mm
Plating min: Mating (µin)	15
Plating min: Mating (µm)	0.38
Plating min: Termination (µin)	75
Plating min: Termination (µm)	1.90
Polarized to PCB	No
Stackable	Yes
Temperature Range - Operating	-40°C to +105°C
Termination Interface: Style	Surface Mount

Electrical

Current - Maximum per Contact	1A, 2A, 3A
Voltage - Maximum	500V AC

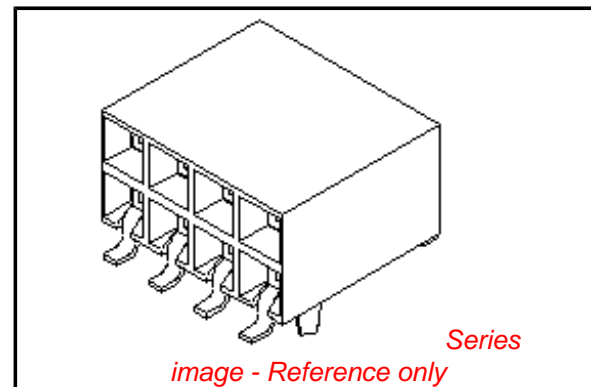
Solder Process Data

Duration at Max. Process Temperature (seconds)	10
Lead-free Process Capability	Reflow Capable (SMT only)
Max. Cycles at Max. Process Temperature	3
Process Temperature max. C	260

Material Info

Reference - Drawing Numbers

Product Specification	PS-71973-9999
-----------------------	---------------



EU RoHS

**ELV and RoHS
Compliant**
**REACH SVHC
Contains SVHC: No**
**Halogen-Free
Status**

China RoHS



Not Reviewed

**Need more information on product
environmental compliance?**

Email productcompliance@molex.com
For a multiple part number RoHS Certificate of Compliance, [click here](#)

Please visit the [Contact Us](#) section for any non-product compliance questions.

Search Parts in this Series

[71979Series](#)

Mates With

[87911 Header](#)

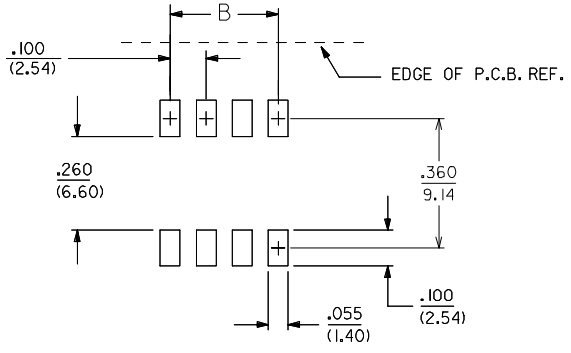
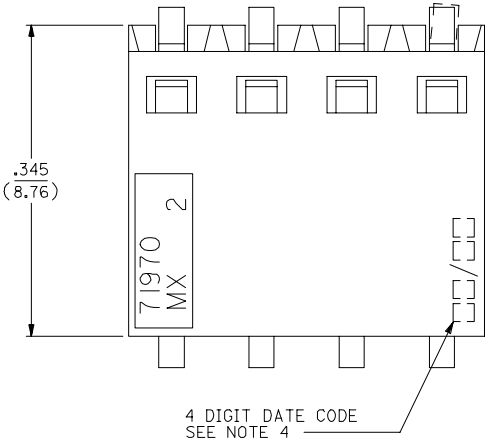
This document was generated on 05/31/2010

PLEASE CHECK WWW.MOLEX.COM FOR LATEST PART INFORMATION

13 12 11 10 9 8 7 6 5 4 3 2 1

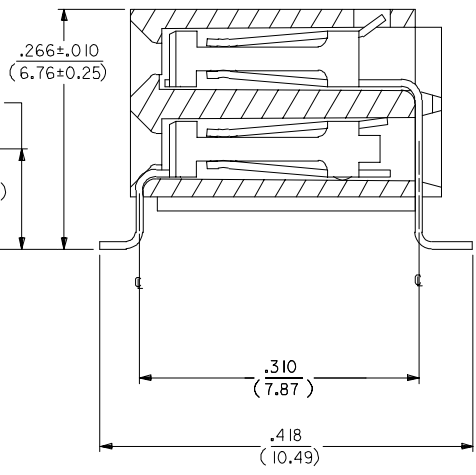
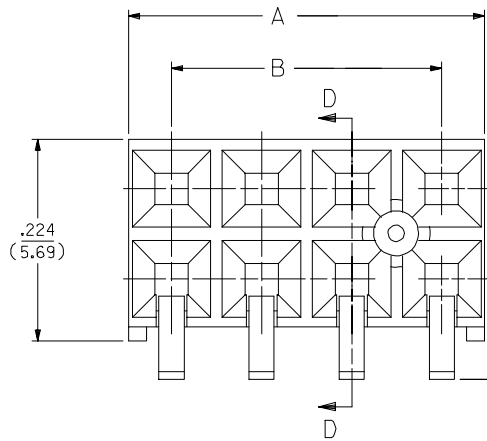
J
I
H
G
F
E
D
C
B
A

J
I
H
G
F
E
D
C
B
A



- NOTES:**
- 1.) MATERIALS:
HOUSING - LCP, 94V-0, BLACK
TERMINAL - PHOS. BRONZE ALLOY
 - 2.) 8 CKT FOR ILLUSTRATION PURPOSES.
SEE CHART ON SHEET 10 FOR OTHER SIZES.
 - 3.) SCRATCHES AND BURNISHING ALLOWED ON
TERMINAL TAILS PROVIDING BASE METAL
IS NOT EXPOSED.
 - 4.) MANUFACTURED DATE CODE WEEK/YEAR.
 - 5.) RECOMMENDED MATING PIN LENGTHS:
LOWER ROW - .200" MIN./ .250" MAX.
UPPER ROW - .200" MIN.
 - 6.) REFER TO PS-71973-9999 FOR PERFORMANCE DATA.

- PLATING:**
- 15 GOLD 15 MICROINCH MINIMUM SELECTIVE GOLD IN THE CONTACT AREA; 75 MICROINCH MINIMUM SELECTIVE TIN IN THE PC TAIL AREA OVER 50 MICROINCH MINIMUM NICKEL OVERALL.
 - 30 GOLD 30 MICROINCH MINIMUM SELECTIVE GOLD IN THE CONTACT AREA; 75 MICROINCH MINIMUM SELECTIVE TIN IN THE PC TAIL AREA OVER 50 MICROINCH MINIMUM NICKEL OVERALL.
 - 50 GOLD 50 MICROINCH MINIMUM SELECTIVE GOLD IN THE CONTACT AREA; 75 MICROINCH MINIMUM SELECTIVE TIN IN THE PC TAIL AREA OVER 50 MICROINCH MINIMUM NICKEL OVERALL.
- *THE PRIMARY SHIPPING CARTON WILL BE LABELED *COMPLIANT TO RoHS DIRECTIVE 2002/95/EC AND ELV ANNEX II OF DIRECTIVE 2000/53/EC*. CARTONS WITHOUT THIS LABEL MAY CONTAIN PRODUCT WITH LEAD.



CORRECT NOTE 2 EC NO: UCP2007-0113 DRAWN: JORGAN 2006/08/07 CHKD: MS BARRA 2006/08/16 APPR: SMILLER 2006/08/18 REVISIONS DESCRIPTION	QUALITY SYMBOLS	GENERAL TOLERANCES (UNLESS SPECIFIED)		DIMENSION STYLE		SCALE	DESIGN UNITS	THIRD ANGLE PROJECTION	
	=0 $\nabla=0$	mm	INCH	IN/MM		10:1	INCH		
		4 PLACES ± ---	± ---	DRAWN BY	DATE	TITLE	SMT RECEPTACLE-RIGHT ANGLE DUAL ROW WITH AND WITHOUT PEG MOLEX INCORPORATED		
		3 PLACES ± ---	± .010	DJB	1995/03/15				
	2 PLACES ± 0.25	± ---	CHECKED BY	DATE		MATERIAL NO. DOCUMENT NO. SHEET NO. SEE SHEET 10 SDA-71979-**** 4 OF 12			
	1 PLACE ± ---	± ---	APPROVED BY	DATE					
		ANGULAR ±1/2°		MATERIAL NO.		SHEET NO.			
		DRAFT WHERE APPLICABLE MUST REMAIN WITHIN DIMENSIONS		SIZE		THIS DRAWING CONTAINS INFORMATION THAT IS PROPRIETARY TO MOLEX INCORPORATED AND SHOULD NOT BE USED WITHOUT WRITTEN PERMISSION			

12 11 10 9 8 7 6 5 4 3 2 1

NO. OF CKTS	OPTION D ASSEMBLY						DIMENSION	
	PLATINGS PER ES-88-(***)						A	B
	(SEE SHEET I FOR PLATING SPECIFICATIONS)							
PER ROW	TOTAL	15 GOLD	30 GOLD	50 GOLD				
4	8		71979-2604	71979-2704	71979-2804	.395 (10.03)	.300 (7.62)	
5	10		71979-2605	71979-2705	71979-2805	.495 (12.57)	.400 (10.16)	
6	12		71979-2606	71979-2706	71979-2806	.595 (15.11)	.500 (12.70)	
7	14		71979-2607	71979-2707	71979-2807	.695 (17.65)	.600 (15.24)	
8	16		71979-2608	71979-2708	71979-2808	.795 (20.19)	.700 (17.78)	
9	18		71979-2609	71979-2709	71979-2809	.895 (22.73)	.800 (20.32)	
10	20		71979-2610	71979-2710	71979-2810	.995 (25.27)	.900 (22.86)	
11	22		71979-2611	71979-2711	71979-2811	1.095 (27.81)	1.000 (25.40)	
12	24		71979-2612	71979-2712	71979-2812	1.195 (30.35)	1.100 (27.94)	
13	26		71979-2613	71979-2713	71979-2813	1.295 (32.89)	1.200 (30.48)	
14	28		71979-2614	71979-2714	71979-2814	1.395 (35.43)	1.300 (33.02)	
15	30		71979-2615	71979-2715	71979-2815	1.495 (37.97)	1.400 (35.56)	
16	32		71979-2616	71979-2716	71979-2816	1.595 (40.51)	1.500 (38.10)	
17	34		71979-2617	71979-2717	71979-2817	1.695 (43.05)	1.600 (40.64)	
18	36		71979-2618	71979-2718	71979-2818	1.795 (45.59)	1.700 (43.18)	
19	38		71979-2619	71979-2719	71979-2819	1.895 (48.13)	1.800 (45.72)	
20	40		71979-2620	71979-2720	71979-2820	1.995 (50.67)	1.900 (48.26)	
21	42		71979-2621	71979-2721	71979-2821	2.095 (53.21)	2.000 (50.80)	
22	44		71979-2622	71979-2722	71979-2822	2.195 (55.75)	2.100 (53.34)	
23	46		71979-2623	71979-2723	71979-2823	2.295 (58.29)	2.200 (55.88)	
24	48		71979-2624	71979-2724	71979-2824	2.395 (60.83)	2.300 (58.42)	
25	50		71979-2625	71979-2725	71979-2825	2.495 (63.37)	2.400 (60.96)	
26	52		71979-2626	71979-2726	71979-2826	2.595 (65.91)	2.500 (63.50)	
27	54		71979-2627	71979-2727	71979-2827	2.695 (68.45)	2.600 (66.04)	
28	56		71979-2628	71979-2728	71979-2828	2.795 (70.99)	2.700 (68.58)	
29	58		71979-2629	71979-2729	71979-2829	2.895 (73.53)	2.800 (71.12)	
30	60		71979-2630	71979-2730	71979-2830	2.995 (76.07)	2.900 (73.66)	
31	62		71979-2631	71979-2731	71979-2831	3.095 (78.61)	3.000 (76.20)	
32	64		71979-2632	71979-2732	71979-2832	3.195 (81.15)	3.100 (78.74)	
33	66		71979-2633	71979-2733	71979-2833	3.295 (83.69)	3.200 (81.28)	

NO. OF CKTS	OPTION D ASSEMBLY						DIMENSION	
	PLATINGS PER ES-88-(***)						A	B
	(SEE SHEET I FOR PLATING SPECIFICATIONS)							
PER ROW	TOTAL	15 GOLD	30 GOLD	50 GOLD				
34	68		71979-2634	71979-2734	71979-2834	3.395 (86.23)	3.300 (83.82)	
35	70		71979-2635	71979-2735	71979-2835	3.495 (88.77)	3.400 (86.36)	
36	72		71979-2636	71979-2736	71979-2836	3.595 (91.31)	3.500 (88.90)	

NOTE: ALL CONNECTORS ARE PACKAGED IN TUBES PER PK-70873-0138

X INDICATES TOOLING IS NOT AVAILABLE.

REMOVE 74-80 CKT
 FCC NO: UCP2007-0113
 DRAWN: JORGAN 2006/08/07
 CHKD: MS BARRA 2006/08/16
 APPR: SMILLER 2006/08/18
 REV: 1

QUALITY SYMBOLS

 DESCRIPTION

GENERAL TOLERANCES (UNLESS SPECIFIED)

	mm	INCH
4 PLACES	± .010	± .0004
3 PLACES	± .010	± .0004
2 PLACES	± 0.25	± .010
1 PLACE	± .010	± .0004
ANGULAR ±1/2°		

DIMENSION STYLE IN/MM

DRAWN BY DATE
 DJB 1995/03/15
 CHECKED BY DATE
 APPROVED BY DATE

SCALE --- DESIGN UNITS INCH THIRD ANGLE PROJECTION

TITLE
 SMT RECEPTACLE
 RIGHT ANGLE DUAL ROW
 WITH AND WITHOUT PEG
 molex MOLEX INCORPORATED

DRAFT WHERE APPLICABLE MUST REMAIN WITHIN DIMENSIONS

MATERIAL NO. DOCUMENT NO. SHEET NO.
 SEE CHART SDA-71979-**** 10 OF 12
 THIS DRAWING CONTAINS INFORMATION THAT IS PROPRIETARY TO MOLEX INCORPORATED AND SHOULD NOT BE USED WITHOUT WRITTEN PERMISSION