

PLEASE CHECK WWW.MOLEX.COM FOR LATEST PART INFORMATION

Part Number: [0746420002](#)
Status: **Active**
Overview: [ganged_rf](#)
Description: 6.25mm (.246") Pitch Ganged RF Receptacle, Right Angle, 2 Circuits

Documents:

[Drawing \(PDF\)](#) [RoHS Certificate of Compliance \(PDF\)](#)
[Product Specification PS-74854-001 \(PDF\)](#)

Agency Certification

CSA LR19980
 UL E107635

General

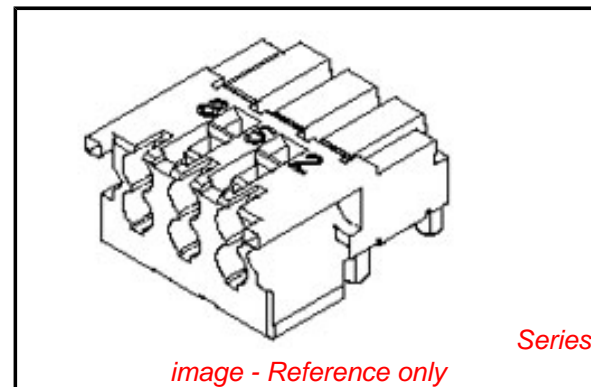
Product Family Backplane Connectors
 Series [74642](#)
 Application Daughtercard
 Comments Port Number 2 Loaded
 Component Type PCB Receptacle
 Overview [ganged_rf](#)
 Product Name Ganged RF
 Style N/A

Physical

Circuits (Loaded) 2
 Circuits (maximum) 8
 Color - Resin Natural
 Durability (mating cycles max) 500
 First Mate / Last Break No
 Flammability 94V-0
 Guide to Mating Part No
 Keying to Mating Part None
 Material - Metal High Performance Alloy (HPA)
 Material - Resin High Temperature Thermoplastic
 Number of Columns 4
 Number of Pairs N/A
 Number of Rows 2
 Orientation Right Angle
 PC Tail Length (in) 0.093 In
 PC Tail Length (mm) 2.36 mm
 PCB Locator Yes
 PCB Retention None
 PCB Thickness Recommended (in) 0.125 In
 PCB Thickness Recommended (mm) 3.20 mm
 Packaging Type Tray
 Pitch - Mating Interface (in) 0.246 In
 Pitch - Mating Interface (mm) 6.25 mm
 Polarized to PCB Yes
 Stackable Yes
 Surface Mount Compatible (SMC) Yes
 Temperature Range - Operating -40°C to +85°C
 Termination Interface: Style Through Hole - Compliant Pin

Electrical

Current - Maximum per Contact 1A
 Data Rate 3.0 Gbps



EU RoHS

RoHS Compliant by Exemption
REACH SVHC
 Not Reviewed
Halogen-Free Status
Not Reviewed

China RoHS



Need more information on product environmental compliance?

Email productcompliance@molex.com
 For a multiple part number RoHS Certificate of Compliance, [click here](#)

Please visit the [Contact Us](#) section for any non-product compliance questions.

Search Parts in this Series

[74642Series](#)

Mates With

[74712 Ganged RF Header](#)

Shielded
Voltage - Maximum

No
50V AC

Material Info

Reference - Drawing Numbers

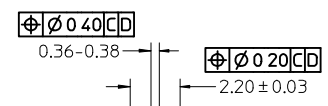
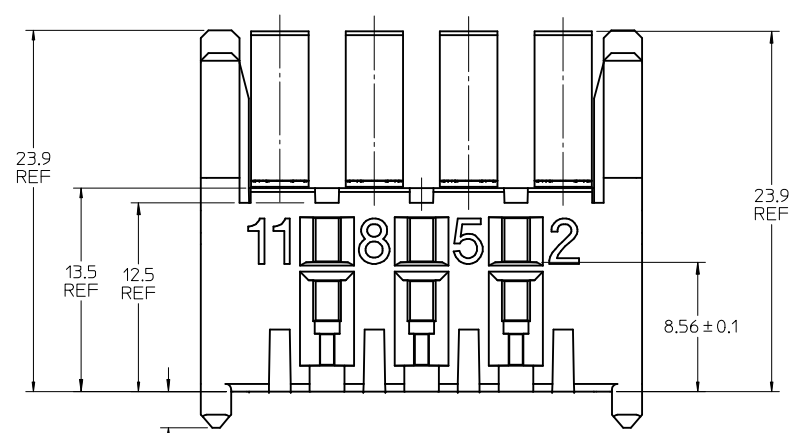
Packaging Specification
Product Specification
Sales Drawing

PK-74642-001
PS-74854-001
SD-74642-001

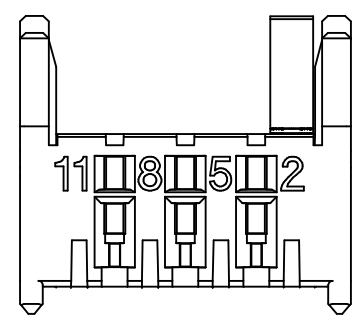
This document was generated on 05/15/2010

PLEASE CHECK WWW.MOLEX.COM FOR LATEST PART INFORMATION

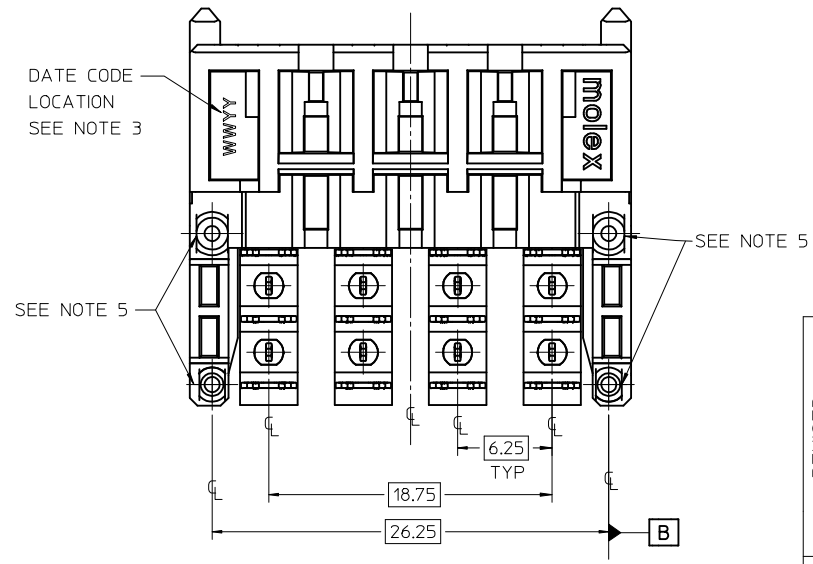
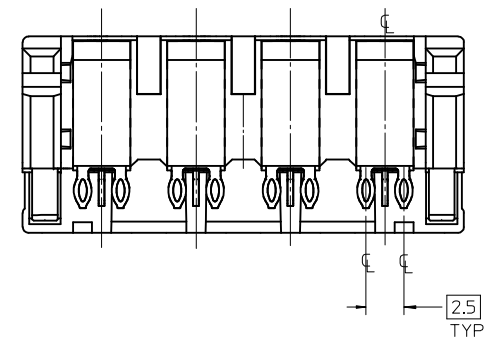
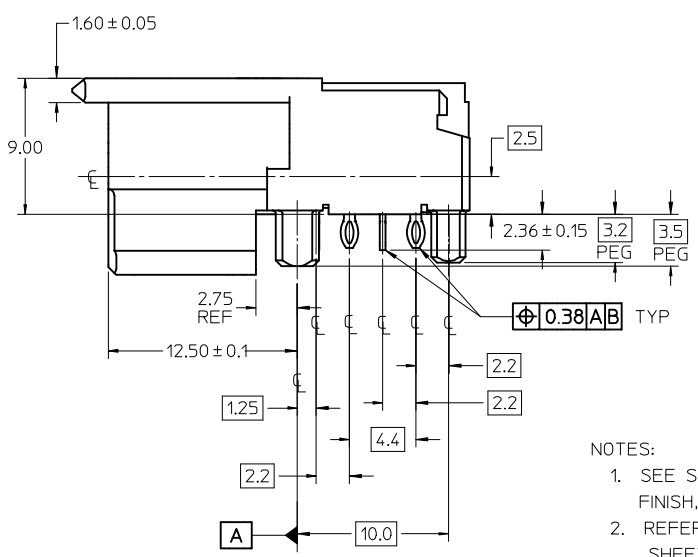
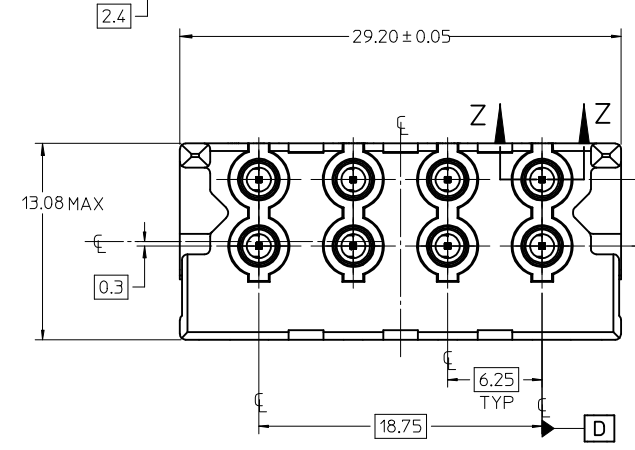
2	74642
MATERIAL NO.	TERMINAL LOADING BY POSITION
74642-0001	2, 5, 8, 11
74642-0002	2



SECTION Z Z
SCALE 6:1



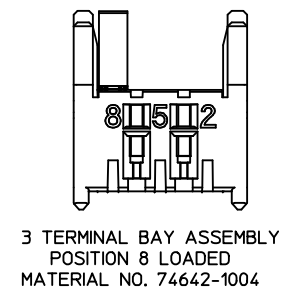
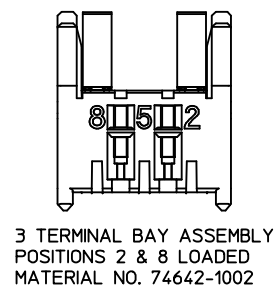
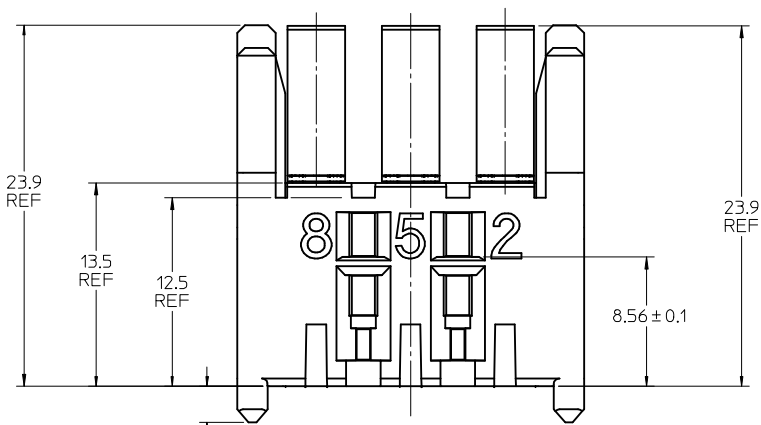
4 TERMINAL BAY ASSEMBLY
POSITION 2 LOADED ONLY
MATERIAL NO. 74642-0002



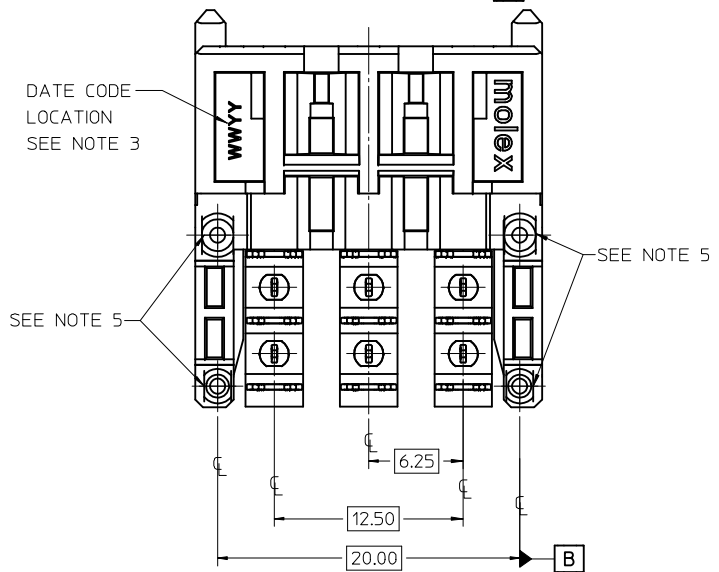
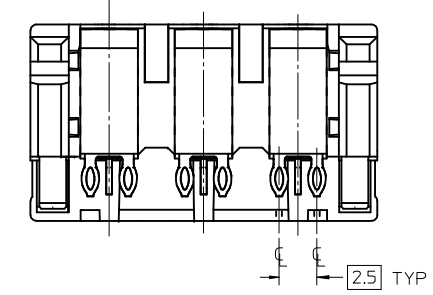
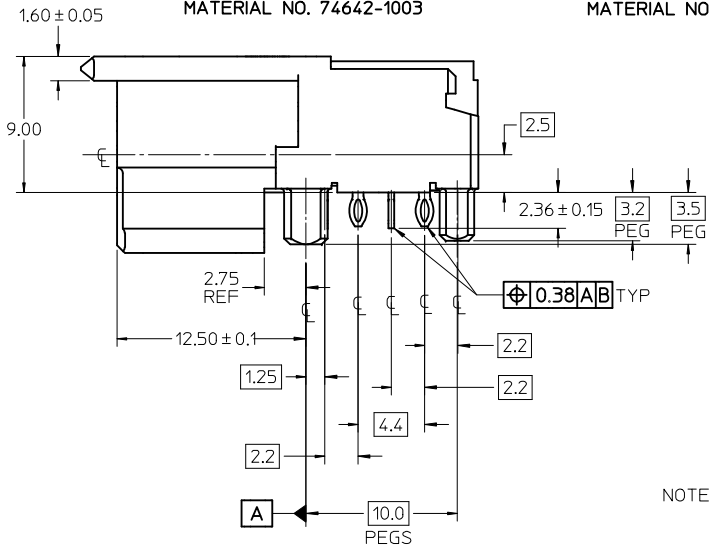
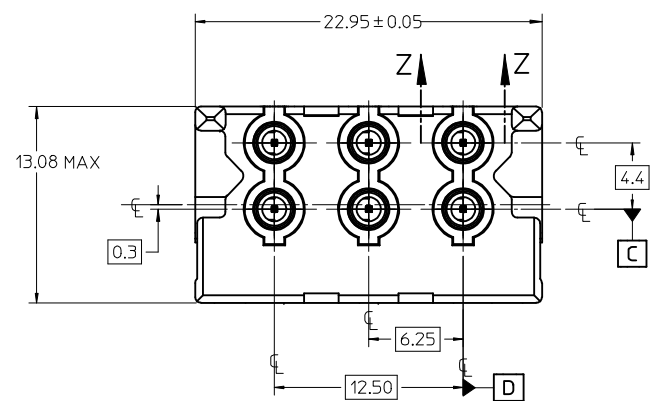
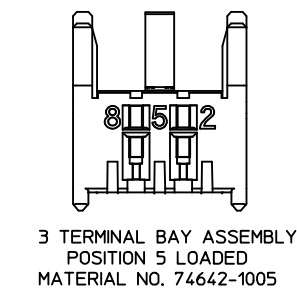
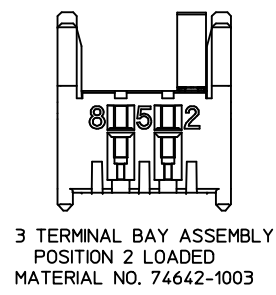
4 TERMINAL BAY ASSEMBLY
POSITION 2,5,8,11 SHOWN
MATERIAL NO. 74642-0001

- NOTES:
1. SEE SHEET 4 FOR ALL NOTES PERTAINING TO MATERIAL, FINISH, PRODUCT SPECIFICATIONS AND PACKAGING.
 2. REFER TO SHEET 2 FOR THE 3 TERMINAL BAY ASSEMBLY, SHEET 3 FOR THE 5 TERMINAL BAY ASSEMBLY AND SHEET 4 THEIR RELATED MATERIAL NUMBERS
 3. DATE CODE TO BE LASER MARKED ON BOTTOM OF ASSEMBLY IN THE RECESSED POCKET LOCATION SHOWN.

REVISED EC NO: UCP2009-0995 DRWN: JMENDOZA 2008/10/21 CHKD: 2008/10/21 APPR: BINGHAM 2008/10/21	QUALITY SYMBOLS ▽ - 0 ∇ - 0	GENERAL TOLERANCES (UNLESS SPECIFIED)		SCALE 4:1	DESIGN UNITS METRIC	THIRD ANGLE PROJECTION	REVISE ON CAD ONLY	
			mm	INCH	DIMENSION STYLE MM ONLY		TITLE	
		4 PLACES	± ---	± ---	DRAWN BY DATE		SALES DRAWING FOR R/A GANGED RF CONNECTOR ASSEMBLIES	
		3 PLACES	± ---	± ---	J. LONG	01-02-08	moLEX MOLEX INCORPORATED	
2 PLACES	± 0.13	± ---	CHECKED BY DATE		MATERIAL NO.	DOCUMENT NO.	SHEET NO.	
1 PLACE	± 0.25	± ---	J. LONG	01-02-08	SEE CHART	SD-74642-001	1 OF 4	
DRAFT WHERE APPLICABLE MUST REMAIN WITHIN DIMENSIONS		ANGULAR ± 2 °		APPROVED BY DATE	THIS DRAWING CONTAINS INFORMATION THAT IS PROPRIETARY TO MOLEX INCORPORATED AND SHOULD NOT BE USED WITHOUT WRITTEN PERMISSION			
J2	REV			REGNIER	01-03-20			



74642	
MATERIAL NO.	TERMINAL LOADING BY POSITION
74642-1001	2, 5, 8
74642-1002	2, 8
74642-1003	2
74642-1004	8
74642-1005	5

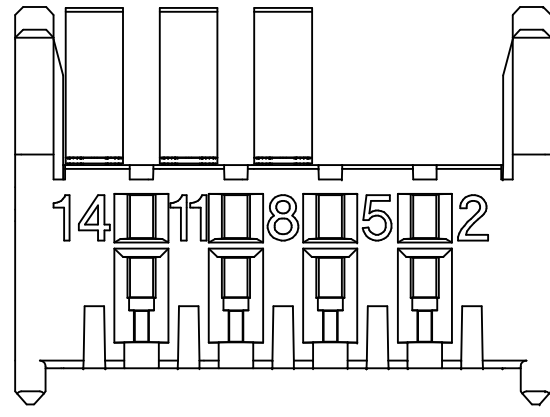
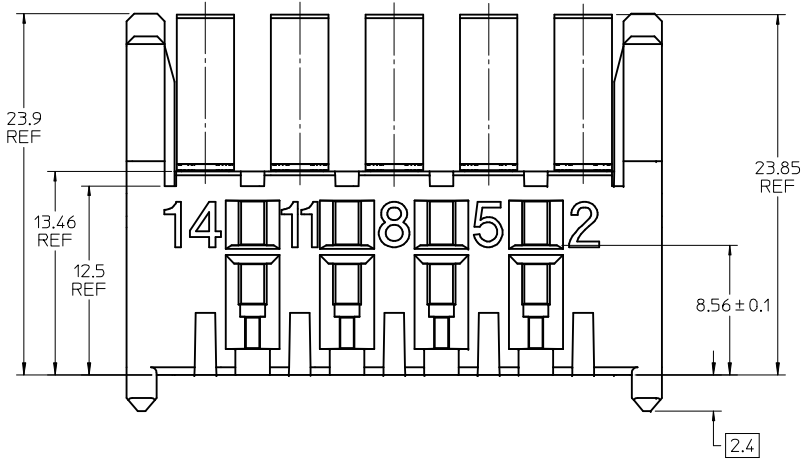


3 TERMINAL BAY ASSEMBLY
POSITION 2,5,8 SHOWN
MATERIAL NO. 74642-1001

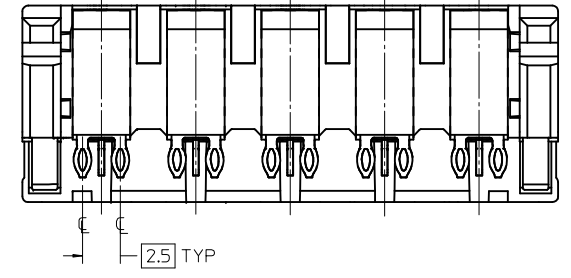
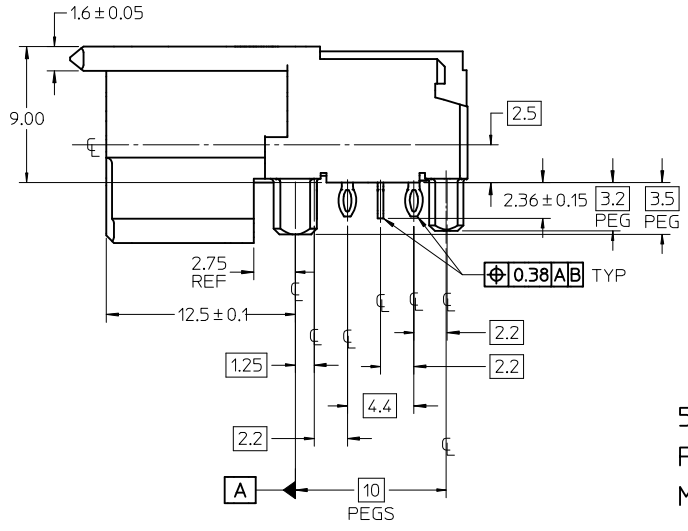
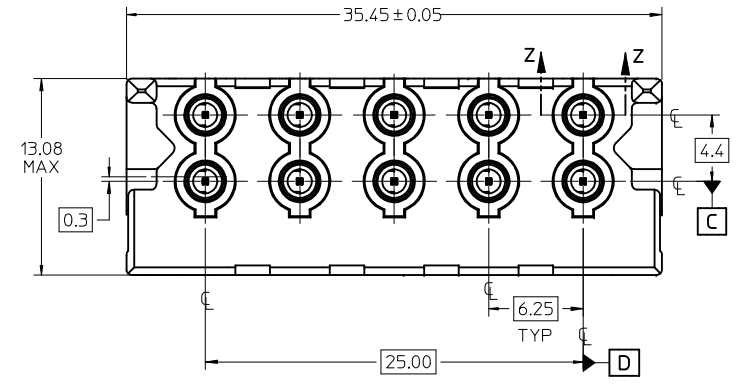
NOTE: REFER TO SHEET 1 FOR ALL DIMENSIONS, SECTION VIEW AND NOTES NOT SHOWN.

SEE SHEET 1 EC NO: UCP2009-0995 DRWN: JMENDOZA 2008/10/21 CHKD: 2008/10/21 APPR: BINGHAM 2008/10/21	QUALITY SYMBOLS	GENERAL TOLERANCES (UNLESS SPECIFIED)	SCALE 4:1	DESIGN UNITS METRIC	THIRD ANGLE PROJECTION	REVISE ON CAD ONLY															
	▼ -0 ∇ -0	<table border="1"> <thead> <tr> <th></th> <th>mm</th> <th>INCH</th> </tr> </thead> <tbody> <tr> <td>4 PLACES</td> <td>± ---</td> <td>± ---</td> </tr> <tr> <td>3 PLACES</td> <td>± ---</td> <td>± ---</td> </tr> <tr> <td>2 PLACES</td> <td>± 0.13</td> <td>± ---</td> </tr> <tr> <td>1 PLACE</td> <td>± 0.25</td> <td>± ---</td> </tr> </tbody> </table>		mm	INCH	4 PLACES	± ---	± ---	3 PLACES	± ---	± ---	2 PLACES	± 0.13	± ---	1 PLACE	± 0.25	± ---	DIMENSION STYLE MM ONLY	TITLE	SALES DRAWING FOR R/A GANGED RF CONNECTOR ASSEMBLIES	
			mm	INCH																	
	4 PLACES	± ---	± ---																		
3 PLACES	± ---	± ---																			
2 PLACES	± 0.13	± ---																			
1 PLACE	± 0.25	± ---																			
DRAFT WHERE APPLICABLE	APPROVED BY REGNIER	DATE 01-03-20	CHECKED BY J. LONG	DATE 01-02-08	MATERIAL NO. SEE CHART																
MUST REMAIN WITHIN DIMENSIONS	APPROVED BY REGNIER	DATE 01-03-20	CHECKED BY J. LONG	DATE 01-02-08	DOCUMENT NO. SD-74642-001	SHEET NO. 2 OF 4															

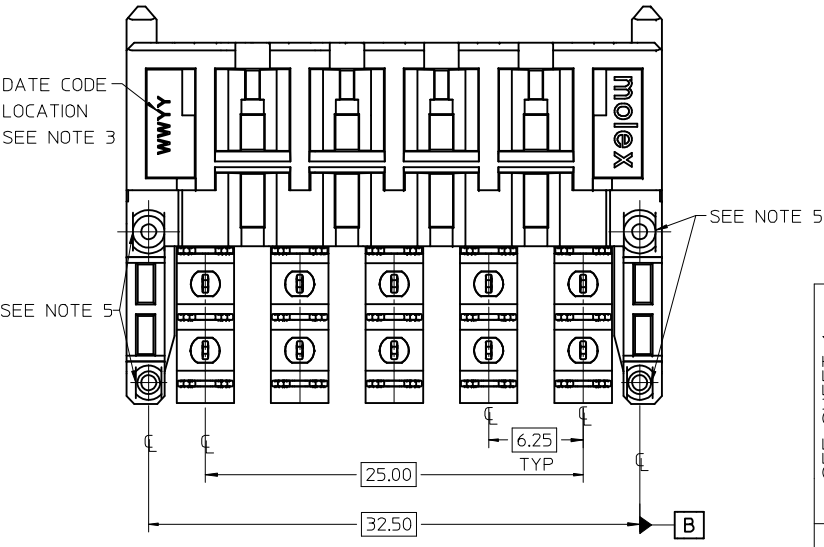
MATERIAL NO.	74642
TERMINAL LOADING BY POSITION	
74642-2001	2, 5, 8, 11, 14
74642-2002	8, 11, 14



5 TERMINAL BAY ASSEMBLY
POSITION 8,11,14 SHOWN
MATERIAL NO. 74642-2002

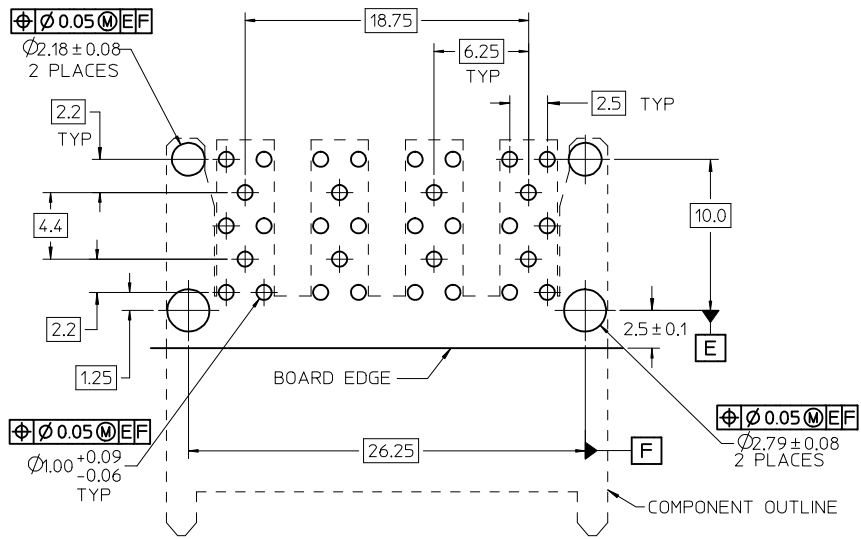


5 TERMINAL BAY ASSEMBLY
POSITION 2,5,8,11,14 SHOWN
MATERIAL NO. 74642-2001

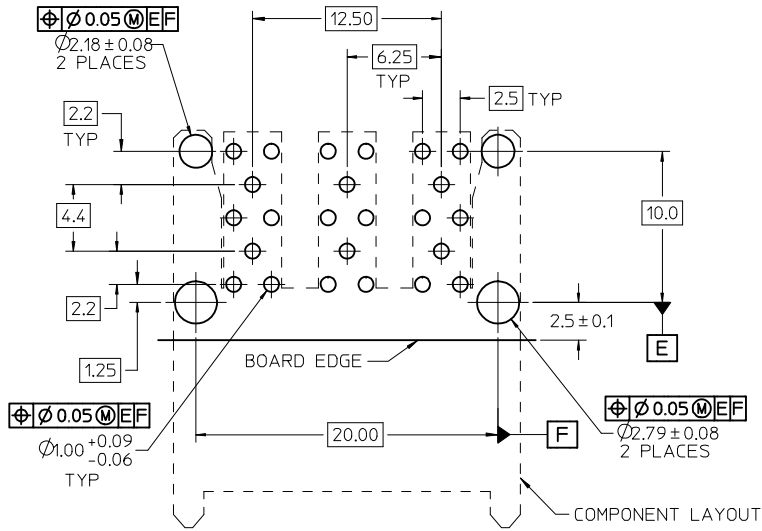


NOTE: REFER TO SHEET 1 FOR ALL DIMENSIONS,
SECTION VIEW AND NOTES NOT SHOWN.

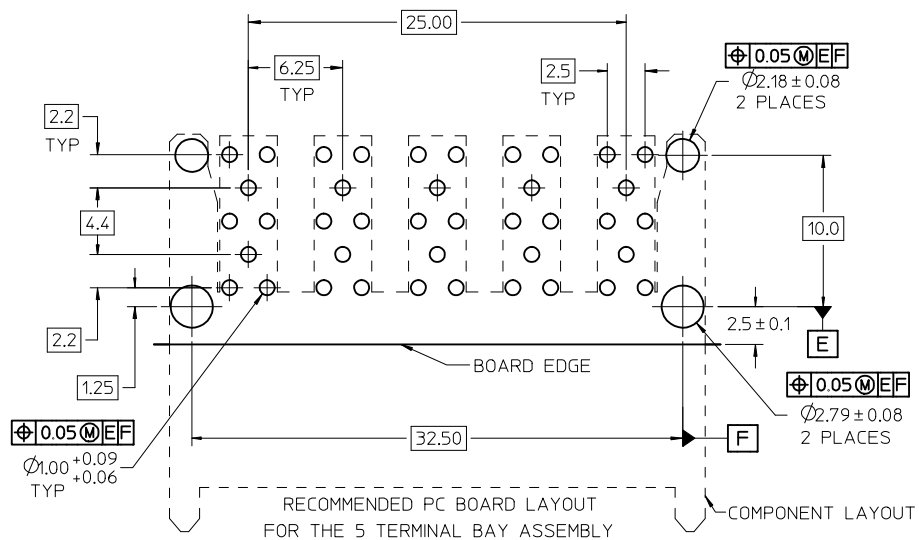
SEE SHEET 1 EC NO: UCP2009-0995 DRWN: J.MENDOZA 2008/10/21 CHKD: 2008/10/21 APPR: J.BINGHAM 2008/10/21	QUALITY SYMBOLS	GENERAL TOLERANCES (UNLESS SPECIFIED)	SCALE 4:1	DESIGN UNITS METRIC	THIRD ANGLE PROJECTION	REVISE ON CAD ONLY															
	▽ - 0	<table border="1"> <tr> <th></th> <th>mm</th> <th>INCH</th> </tr> <tr> <td>4 PLACES</td> <td>± ---</td> <td>± ---</td> </tr> <tr> <td>3 PLACES</td> <td>± ---</td> <td>± ---</td> </tr> <tr> <td>2 PLACES</td> <td>± 0.13</td> <td>± ---</td> </tr> <tr> <td>1 PLACE</td> <td>± 0.25</td> <td>± ---</td> </tr> </table>		mm	INCH	4 PLACES	± ---	± ---	3 PLACES	± ---	± ---	2 PLACES	± 0.13	± ---	1 PLACE	± 0.25	± ---	DIMENSION STYLE MM ONLY	TITLE	SALES DRAWING FOR R/A GANGED RF CONNECTOR ASSEMBLIES	
		mm	INCH																		
	4 PLACES	± ---	± ---																		
3 PLACES	± ---	± ---																			
2 PLACES	± 0.13	± ---																			
1 PLACE	± 0.25	± ---																			
∇ - 0	ANGULAR ± 2 °	DRAFT WHERE APPLICABLE MUST REMAIN WITHIN DIMENSIONS	DRAWN BY J. LONG DATE 01-02-08 CHECKED BY J. LONG DATE 01-02-08 APPROVED BY REGNIER DATE 01-03-20	MOLEX INCORPORATED SEE CHART SD-74642-001	SHEET NO. 3 OF 4																
J2	REV		THIS DRAWING CONTAINS INFORMATION THAT IS PROPRIETARY TO MOLEX INCORPORATED AND SHOULD NOT BE USED WITHOUT WRITTEN PERMISSION																		



RECOMMENDED PC BOARD LAYOUT FOR THE 4 TERMINAL BAY ASSEMBLY COMPONENT SIDE OF BOARD MINIMUM BOARD THICKNESS IS 2.36MM



RECOMMENDED PC BOARD LAYOUT FOR THE 3 TERMINAL BAY ASSEMBLY COMPONENT SIDE OF BOARD MINIMUM BOARD THICKNESS IS 2.36MM



RECOMMENDED PC BOARD LAYOUT FOR THE 5 TERMINAL BAY ASSEMBLY COMPONENT SIDE OF BOARD MINIMUM BOARD THICKNESS IS 2.36MM

NOTES:

- MATERIAL:
 - R/A HSG: GLASS FILLED LIQUID CRYSTAL POLYMER, COLOR: NATURAL
 - OVERMOLDED TERMINAL ASSEMBLY: GLASS FILLED HIGH TEMP PLASTIC
 - INSERT MOLDED TERMINAL: GLASS FILLED LIQUID CRYSTAL POLYMER, COLOR NATURAL (ALL ABOVE HOUSINGS ARE UL 94V-0)
 - SLEEVE: BRASS
 - TERMINALS AND GROUNDS: TIN BRASS
 - DIE-CAST SHELLS: ZINC
- FINISH:
 - TERMINALS:
 - SELECTIVE 0.76 MICRONS MIN. GOLD (Au) IN CONTACT AREA
 - SELECTIVE 0.88 MICRONS MIN. TIN (Sn) ALLOY IN THE PC TAIL AREA
 - BOTH OVER 1.27 MICRONS MIN. NICKEL (Ni) UNDERPLATE.
 - GROUNDS:
 - 0.88 MICRONS MIN. TIN (Sn) ALLOY OVERALL
 - OVER 1.27 MICRONS MIN. NICKEL (Ni) UNDERPLATE.
 - DIE-CAST SHIELDS:
 - 3.05 MICRONS MIN. BRIGHT TIN (Sn) ALLOY OVER
 - 1.27 MICRONS MIN. NICKEL (Ni) ALLOY OVER:
 - BOTH OVER 8.13 MICRONS MIN. COPPER (Cu) UNDERPLATE.
- REFER TO PS-74854-001 PRODUCT SPEC FOR ALL ELECTRICAL, MECHANICAL AND ENVIRONMENTAL SPECIFICATIONS.
- REFER TO PK-74642-001 FOR ALL PACKAGING SPECIFICATIONS.
- THESE PARTS CONFORM TO MOLEX COSMETIC SPECIFICATION PS-45499-002 CLASS B, EXCEPT ON THE PLASTIC PEGS, CLASS C

ADD NOTE 5 EC NO: JCP2009-0995 DRWN: JMENDOZA 2008/10/21 CHKD: 2008/10/21 APPR: JBINGHAM 2008/10/21	QUALITY SYMBOLS	GENERAL TOLERANCES (UNLESS SPECIFIED)	SCALE 4:1	DESIGN UNITS METRIC	THIRD ANGLE PROJECTION	REVISE ON CAD ONLY															
	▼ -0 ∇ ±0	<table border="1"> <tr> <th></th> <th>mm</th> <th>INCH</th> </tr> <tr> <td>4 PLACES</td> <td>± ---</td> <td>± ---</td> </tr> <tr> <td>3 PLACES</td> <td>± ---</td> <td>± ---</td> </tr> <tr> <td>2 PLACES</td> <td>± 0.13</td> <td>± ---</td> </tr> <tr> <td>1 PLACE</td> <td>± 0.25</td> <td>± ---</td> </tr> </table>		mm	INCH	4 PLACES	± ---	± ---	3 PLACES	± ---	± ---	2 PLACES	± 0.13	± ---	1 PLACE	± 0.25	± ---	DIMENSION STYLE MM ONLY		TITLE	
			mm	INCH																	
		4 PLACES	± ---	± ---																	
3 PLACES	± ---	± ---																			
2 PLACES	± 0.13	± ---																			
1 PLACE	± 0.25	± ---																			
DRAFT WHERE APPLICABLE MUST REMAIN WITHIN DIMENSIONS		DRAWN BY J. LONG CHECKED BY J. LONG APPROVED BY REGNIER	DATE 01-02-08 DATE 01-02-08 DATE 01-03-20	MOLEX INCORPORATED SEE CHARTS SD-74642-001																	
J2	REV	THIS DRAWING CONTAINS INFORMATION THAT IS PROPRIETARY TO MOLEX INCORPORATED AND SHOULD NOT BE USED WITHOUT WRITTEN PERMISSION		MATERIAL NO.	DOCUMENT NO.	SHEET NO. 4 OF 4															