

**PLEASE CHECK WWW.MOLEX.COM FOR LATEST PART INFORMATION**

**Part Number:** [130060017](#)  
**Status:** **Active**  
**Overview:** [minichange\\_products](#)  
**Description:** Mini-Change® MPIS, 3 Pole Female, 8 Ports with 10 Pole Male Connector

**Documents:**

[Drawing \(PDF\)](#) [RoHS Certificate of Compliance \(PDF\)](#)

**Agency Certification**

CSA LR6837

**General**

Product Family Passive Distribution Boxes  
 Series [130060](#)  
 IP Rating IP67  
 NEMA Rating NEMA 6  
 Overview [minichange\\_products](#)  
 Product Name Mini-Change®

**Physical**

Bus I/O Mini-Change®  
 Cable Connector Orientation Straight  
 Cable Length N/A  
 Home Run Cable Length N/A  
 Home Run Connector Mini-Change® - 10 pole  
 Home Run Interface N/A  
 Keyway Single  
 LED Indicator No  
 Material - Cable Jacket N/A  
 Material - Housing PBT  
 Material - Metal Copper Alloy  
 Material - Plating Mating Gold over Nickel  
 Orientation Side Mount  
 Poles 3  
 Poles (wired) 3  
 Ports 8  
 Temperature Range - Operating -25°C to +90°C  
 Wiring Configuration Single I/O per Port

**Electrical**

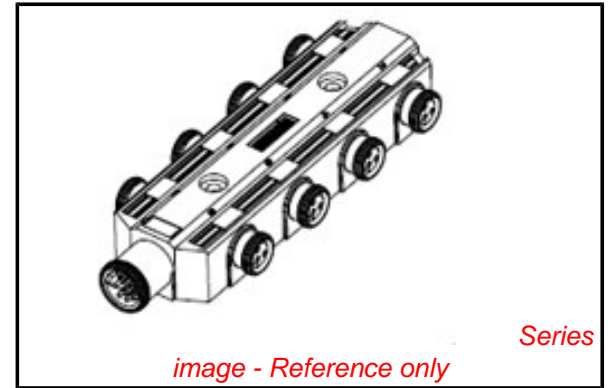
Current - Maximum per Contact 7A  
 Functional Wiring Parallel  
 Voltage - Maximum 600V AC/DC

**Material Info**

Old Part Number 409P801

**Reference - Drawing Numbers**

Sales Drawing SD-130060-004



**EU RoHS**

**Not RoHS Compliant**  
**REACH SVHC**  
**Not Reviewed**  
**Halogen-Free**  
**Status**  
**Not Reviewed**

**China RoHS**



**Need more information on product environmental compliance?**

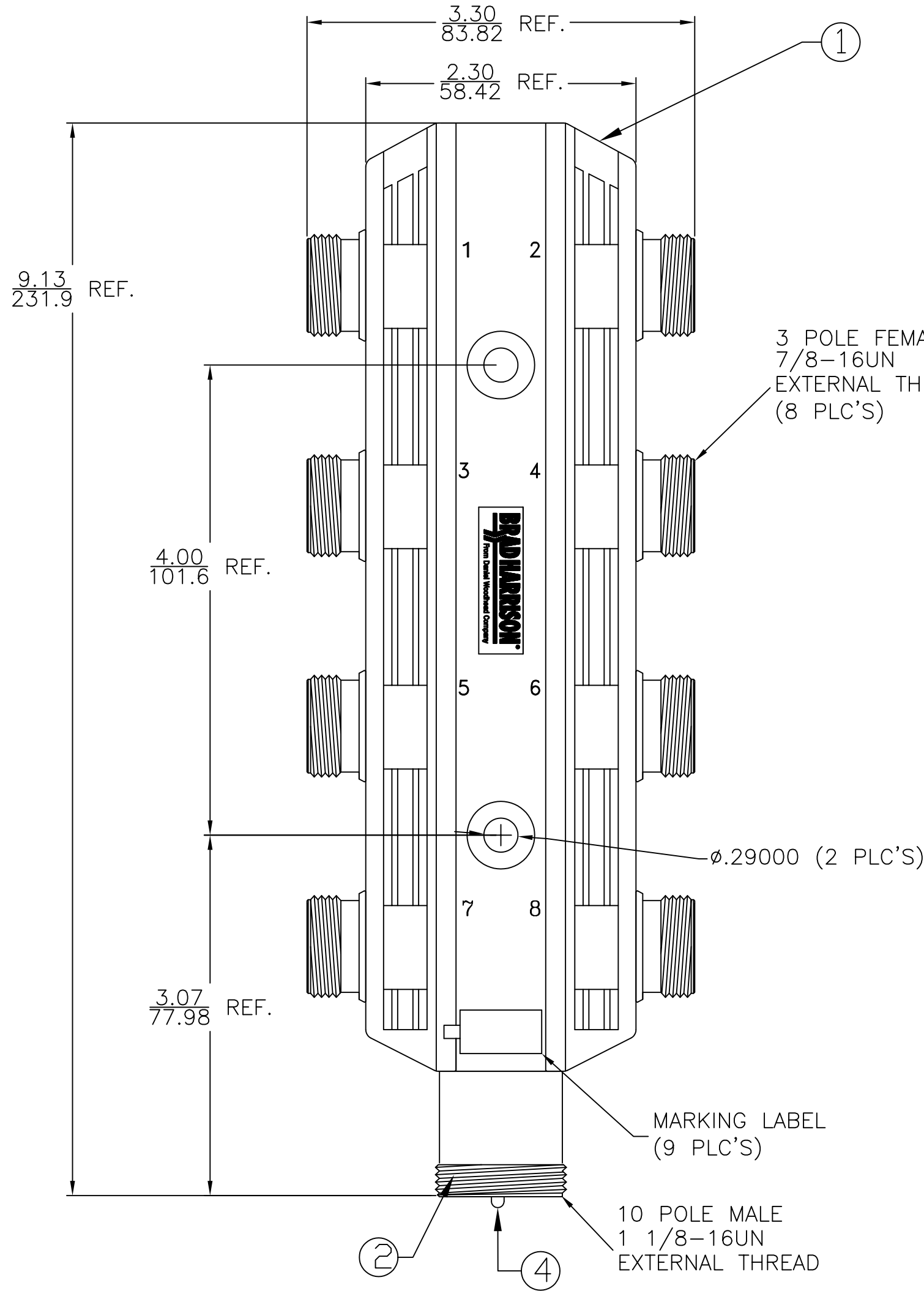
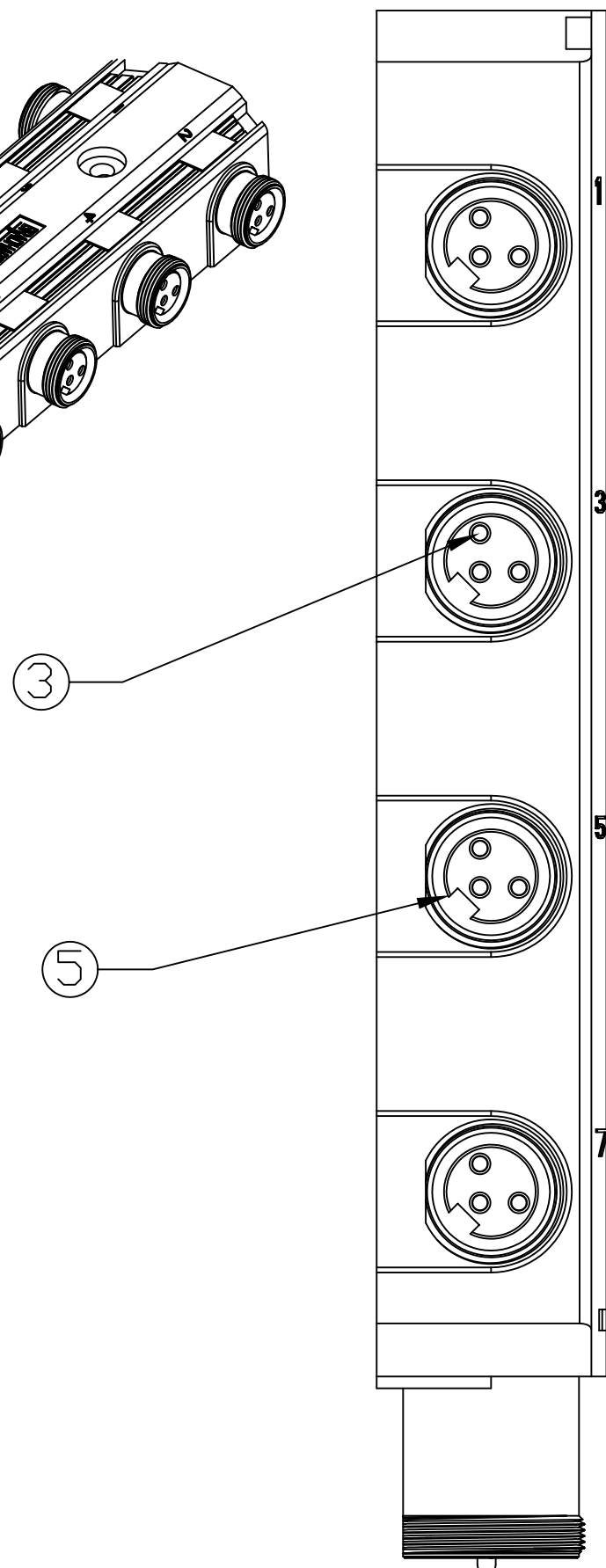
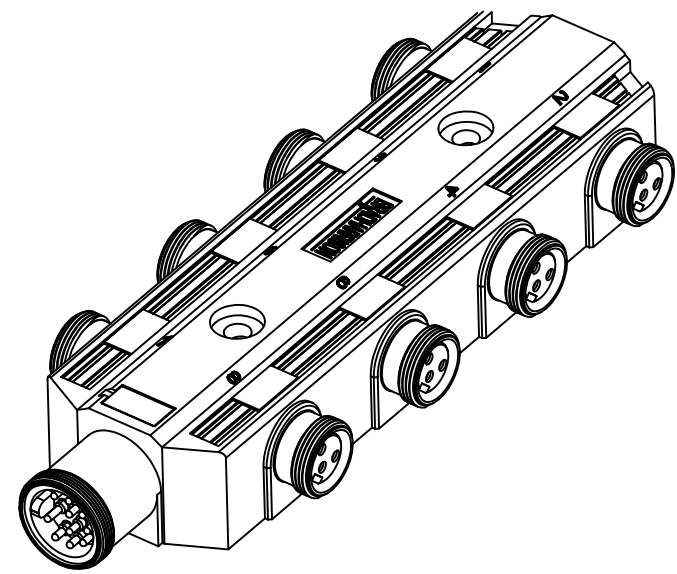
Email [productcompliance@molex.com](mailto:productcompliance@molex.com)  
 For a multiple part number RoHS Certificate of Compliance, [click here](#)

Please visit the [Contact Us](#) section for any non-product compliance questions.

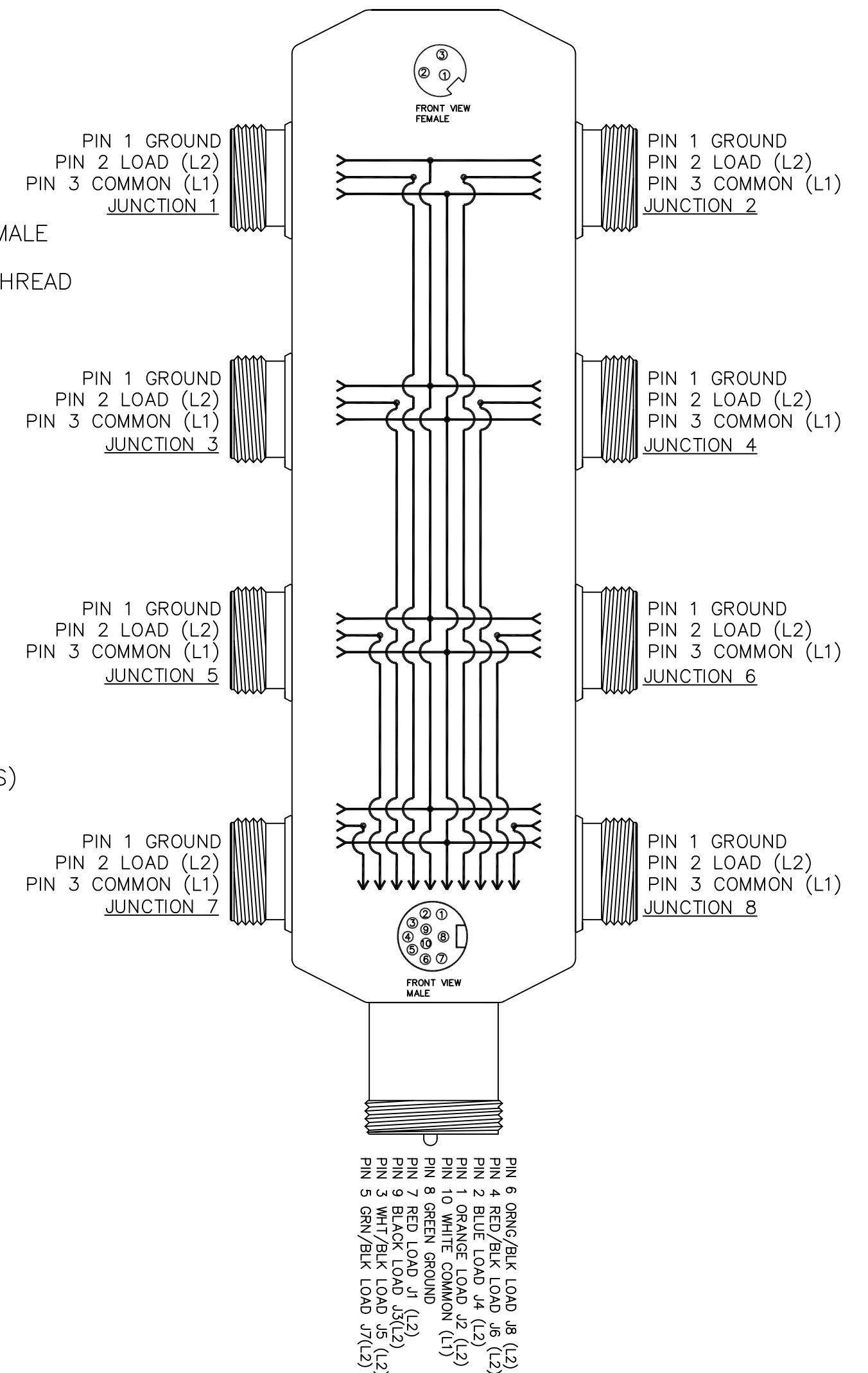
**Search Parts in this Series**

130060Series

MATERIAL NUMBER	ENGINEERING NUMBER
1300600017	409P801



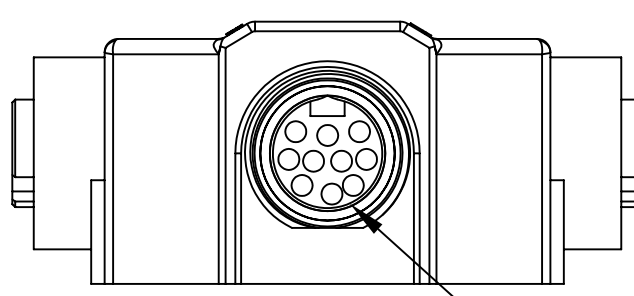
**SCHEMATIC**



**NOTES:**

- 1) MATERIAL: SEE TABLE
- 2) FINISHES: SEE TABLE
- 3) ELECTRICAL DATA:  
VOLTAGE: 600V AC/DC  
AMPERAGE: 7AMPS PER MPIS UNIT
- 4) ENVIRONMENTAL:  
PROTECTION IP67  
OPERATING TEMPERATURE RANGE: -25C TO 90C
- 5) LABEL IS MARKED WITH P/N, DATE CODE, AND SCHEMATIC
- 6) CERTIFICATION:  
UL: UL RECOGNIZED  
CSA: CSA CERTIFIED

ITEM	QTY.	DESCRIPTION	MATERIAL	FINISH
5	9	INSERT	PVC	YELLOW
4	10	PIN CONTACT	COPPER ALLOY	GOLD PLATED
3	24	SOCKET CONTACT	COPPER ALLOY	GOLD PLATED
2	9	RECEPTACLE SHELL	E-COATED ZINC ALLOY	BLACK
1	1	HOUSING	PBT	YELLOW



EC NO: WNA2010-0456 DRWN: TWOLDEGE 2010/01/22 CH'KD: BWOODMAN APPR: JFMURPHY 2010/01/29	RELEASE DESCRIPTION REV	<b>QUALITY SYMBOL</b> ▽=0 ∇=0	<b>GENERAL TOLERANCES (UNLESS SPECIFIED)</b>		<b>DIMENSION STYLE</b> ----		SCALE 1:1	DESIGN UNITS INCH	THIRD ANGLE PROJECTION	
			4 PLACES ±--- ±--- 3 PLACES ±--- ±.005 2 PLACES ±0.13 ±.010 1 PLACE ±0.25 ±.020	mm INCH	DRAWN BY ----	DATE ----	TITLE <b>8PORT SIDE MOUNT MPIS          8PORT 3-POLE FEMALE W/          10P MALE HOME RUN CONN.</b>			
			ANGULAR ±1/2°		CHECKED BY <b>BWOODMAN</b>	DATE ----	MOLEX INCORPORATED			
			<b>DRAFT WHERE APPLICABLE MUST REMAIN WITHIN DIMENSIONS</b>		APPROVED BY <b>JFMURPHY</b>	DATE <b>2010/01/29</b>	MATERIAL NO. <b>SEE CHART</b>	DOCUMENT NO. <b>SD-130060-004</b>	SHEET NO. <b>1 OF 1</b>	

THIS DRAWING CONTAINS INFORMATION THAT IS PROPRIETARY TO MOLEX INCORPORATED AND SHOULD NOT BE USED WITHOUT WRITTEN PERMISSION