

PLEASE CHECK WWW.MOLEX.COM FOR LATEST PART INFORMATION

Part Number: [0716603560](#)
Status: **Active**
Description: 1.27mm (.050") Pitch EBBI™ 50D - Receptacle, Vertical, IDT

Documents:

[3D Model](#) [Product Specification PS-71660 \(PDF\)](#)
[Drawing \(PDF\)](#) [RoHS Certificate of Compliance \(PDF\)](#)

Agency Certification

CSA LR19980
 UL E29179

General

Product Family IDT and Solder Connectors
 Series [71660](#)
 Crimp Quality Equipment Yes
 Product Name EBBI™

Physical

Circuits (Loaded) 60
 Color - Resin Natural (White)
 Durability (mating cycles max) 2,000
 Flammability 94V-0
 Gender Female
 Glow-Wire Compliant No
 Lock to Mating Part None
 Material - Metal Phosphor Bronze
 Material - Plating Mating Gold
 Material - Plating Termination Tin
 Material - Resin Polyester
 Number of Rows 2
 Packaging Type Tray
 Pitch - Mating Interface (in) 0.050 In
 Pitch - Mating Interface (mm) 1.27 mm
 Plating min: Mating (µin) 30
 Plating min: Mating (µm) 0.75
 Plating min: Termination (µin) 100
 Plating min: Termination (µm) 2.5
 Stackable No
 Temperature Range - Operating -40°C to +105°C
 Termination Interface: Style IDT or Pierce
 Wire Size AWG 30

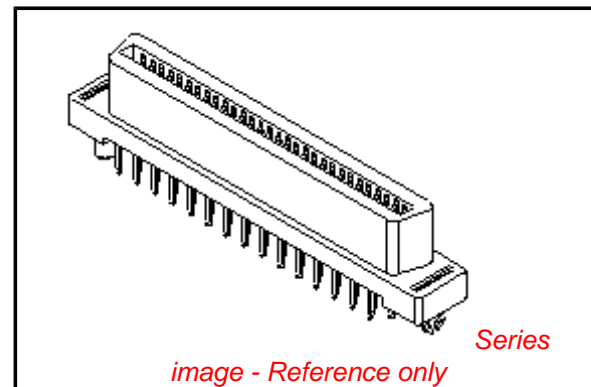
Electrical

Current - Maximum per Contact 1A
 Voltage - Maximum 30V

Material Info

Reference - Drawing Numbers

Application Specification AS-71662-001
 Packaging Specification PK-70873-0403
 Product Specification PS-71660
 Sales Drawing SDA-71660-35**



EU RoHS

ELV and RoHS Compliant
REACH SVHC
 Not Reviewed
Halogen-Free Status

China RoHS



Not Reviewed

Need more information on product environmental compliance?

Email productcompliance@molex.com
 For a multiple part number RoHS Certificate of Compliance, [click here](#)

Please visit the [Contact Us](#) section for any non-product compliance questions.

Search Parts in this Series

[71660Series](#)

Application Tooling | [FAQ](#)

Tooling specifications and manuals are found by selecting the products below. Crimp Height Specifications are then contained in the Application Tooling Specification document.

Global

Description	Product #
IDT - Manual Press	0622004600
IDT - Manual Press	0622005500

This document was generated on 05/24/2010

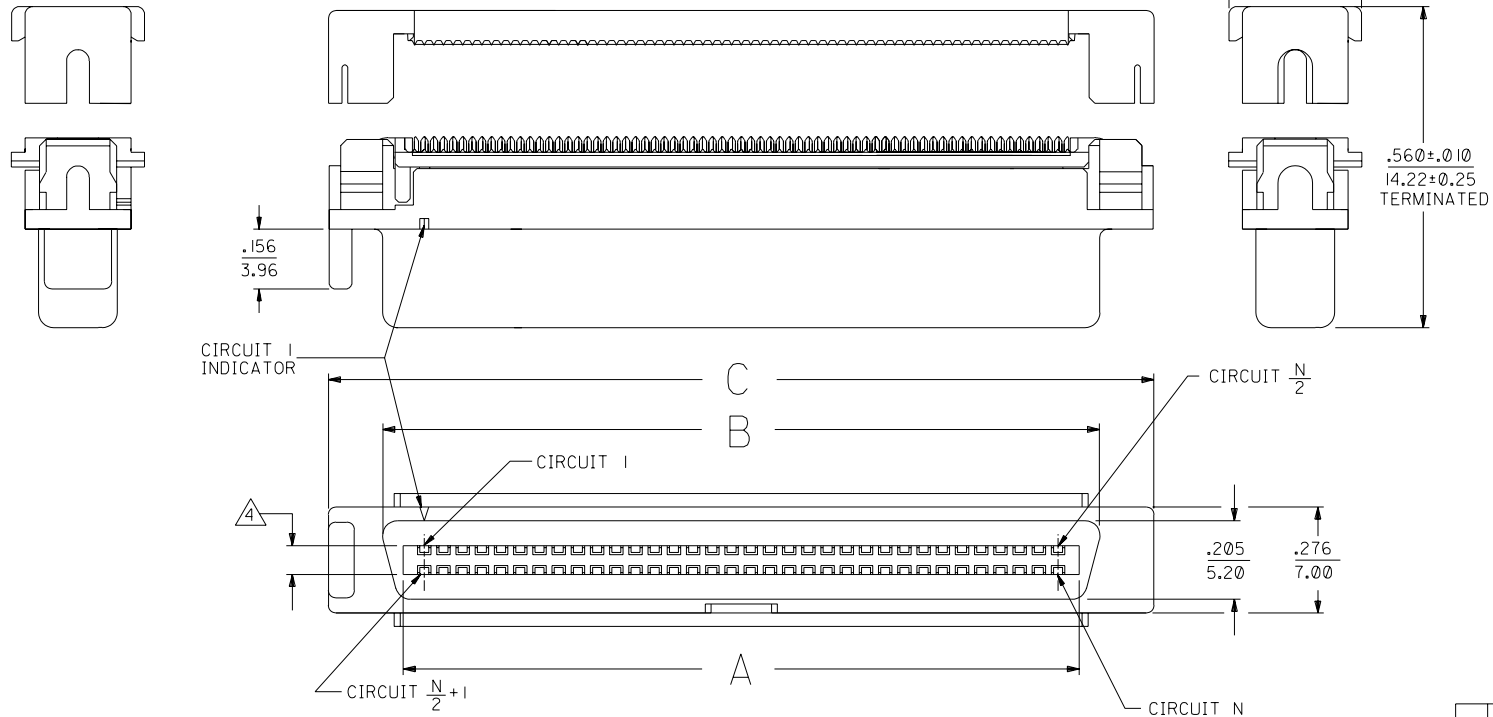
PLEASE CHECK WWW.MOLEX.COM FOR LATEST PART INFORMATION

NOTES:

- 1) MATERIALS:
HOUSING- LCP, GLASS FILLED, 94V-0, BLACK.
ALIGNER, TERMINATION COVER- POLYESTER, GLASS FILLED, 94V-0, GREY.
TERMINALS- PHOSPHOR BRONZE ALLOY.
- 2) FINISH:
SELECTIVE GOLD IN CONTACT AREA
THICKNESS = 30 MICROINCHES / 0.763 MICROMETERS
SELECTIVE TIN IN IDT AREA
THICKNESS = 50 MICROINCHES / 1.27 MICROMETERS
NICKEL UNDERPLATE OVERALL.
- 3) PRODUCT SPECIFICATION: PS-71660.
- 4) ASSEMBLY MATES WITH MOLEX P/N 71661-****.
CONNECTOR WILL ACCEPT MATING TO A P.C. BOARD WITH
A THICKNESS OF .062±.003.
- 5) CONNECTOR WILL TERMINATE .025 ̢ FLAT RIBBON CABLES OF THE FOLLOWING CONSTRUCTION:
#30 AWG STRANDED OR SOLID, PVC INSULATION.
#30 AWG SOLID, FEP INSULATION.
- 6) PRODUCT IS SHIPPED AS A KIT. THE HOUSING/ALIGNER SUB-ASSEMBLY
IS SHIPPED TRAY PACKED. THE TERMINATION COVER IS INCLUDED IN BULK PACKAGING.
PER PACKAGING SPECIFICATION PK 70873-0403.
- 7) APPLICATION TOOLING: SEE APPLICATION SPECIFICATION AS-71662-000.

NOTE FOR LEAD FREE CONVERSION:

THE PRIMARY SHIPPING CARTON WILL BE
LABELED "COMPLIANT TO RoHS DIRECTIVE
2002/95/EC AND ELV ANNEX II OF
DIRECTIVE 2000/53/EC". CARTONS WITHOUT
THIS LABEL MAY CONTAIN PRODUCT WITH
LEAD.



2.445 (62.10)	2.166 (55.02)	2.025 (51.43)	80	71660-3580
2.145 (54.48)	1.866 (47.40)	1.725 (43.81)	68	71660-3568
1.945 (49.40)	1.666 (42.32)	1.525 (38.74)	60	71660-3560
1.695 (43.05)	1.416 (35.97)	1.275 (32.38)	50	71660-3550
1.445 (36.70)	1.166 (29.62)	1.025 (26.04)	40	71660-3540
1.195 (30.35)	.916 (23.27)	.775 (19.68)	30	71660-3530

C	B	A	CKT "N"	MATERIAL NUMBER
---	---	---	---------	-----------------

LEAD FREE CONV
ECN UCP2004-2096
RKADAMS 04/04/23

2	A			
1	B	A		
MFG.	SH.	REV.	LTR.	REVISIONS

RELEASE
PER U2000-0771
ACHAMMER 00/02/22

MOLEX INCORPORATED
LITSE,ILL. 60532 U.S.A.

SHEET NO. 1 OF 2
DATE 00/02/22

DIMENSIONS SHOWN (METRIC) INCH		UNLESS OTHERWISE SPECIFIED TOLERANCES: ANGULAR ± 1/2°	
3 PLACE	± .005	---	---
2 PLACE	± .01	± 0.13	---
1 PLACE	---	± 0.25	---
DRAFT WHERE APPLICABLE MUST REMAIN WITHIN DIMENSIONS			
DRWG. BY: DGA	CHK'D. BY: DGA	SCALE: 4: 1	

REVISIONS ONLY ON CAD SYSTEM

TITLE: SALES ASSEMBLY
EBBI VERTICAL IDT RECEPTACLE
FOR PVC OR FEP RIBBON CABLE

PART NO. SEE TABLE
DRWG. NO. SDA-71660-35**

THIS DRAWING CONTAINS INFORMATION THAT IS PROPRIETARY TO MOLEX INC. AND SHOULD NOT BE USED WITHOUT WRITTEN PERMISSION.

71660

C C

13

12

11

10

9

8

7

6

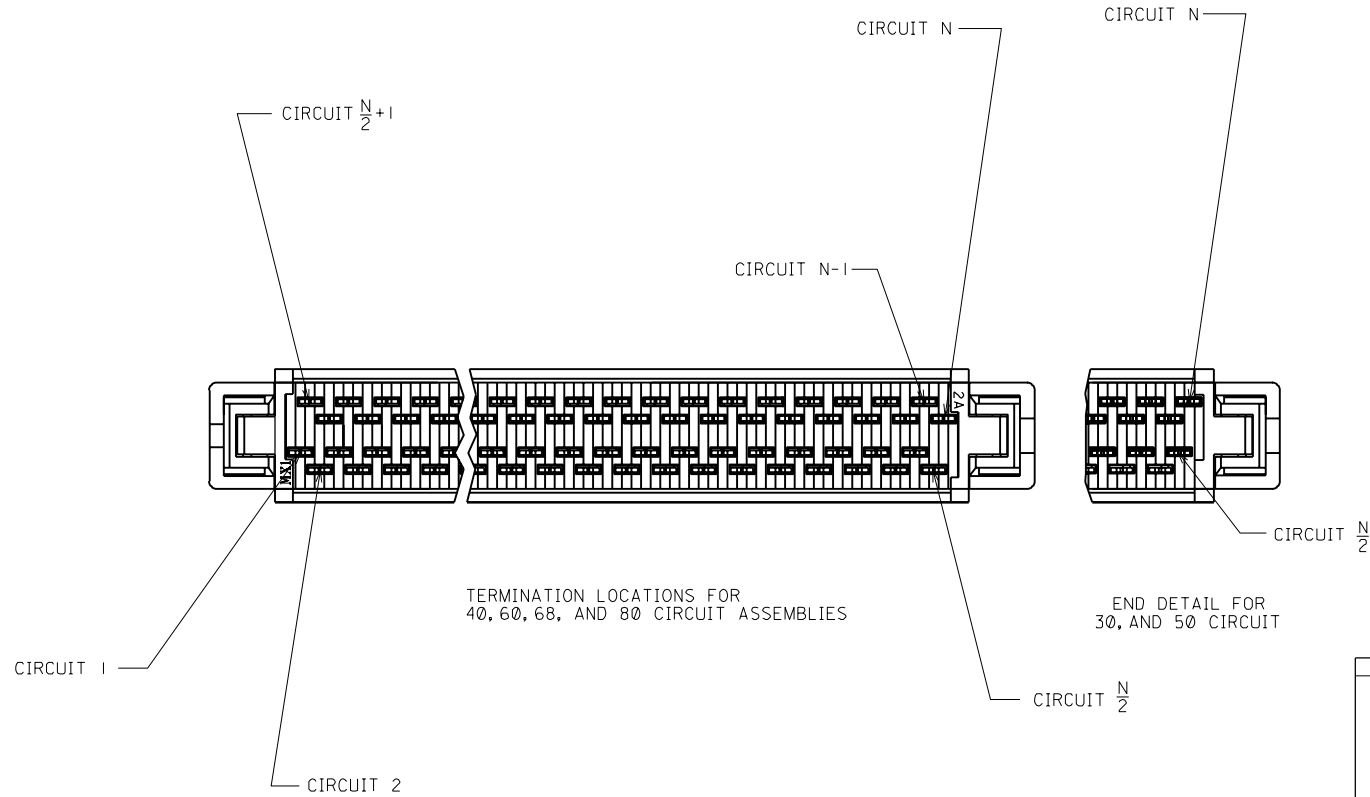
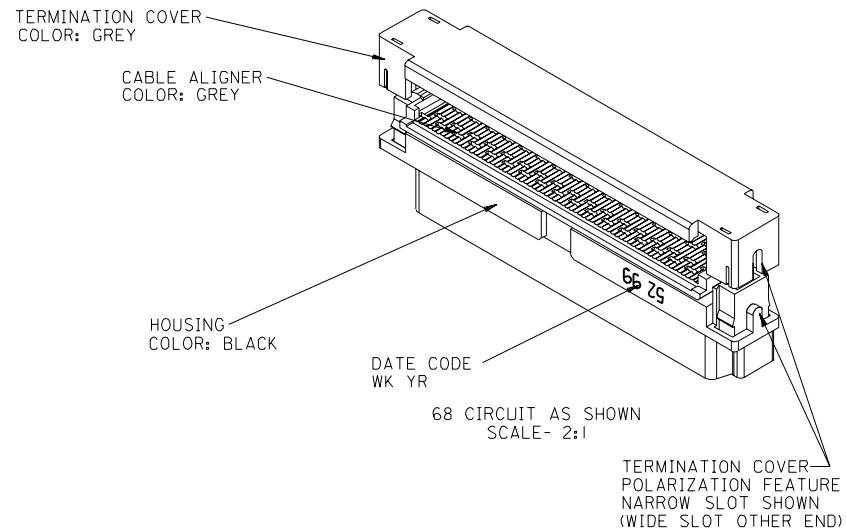
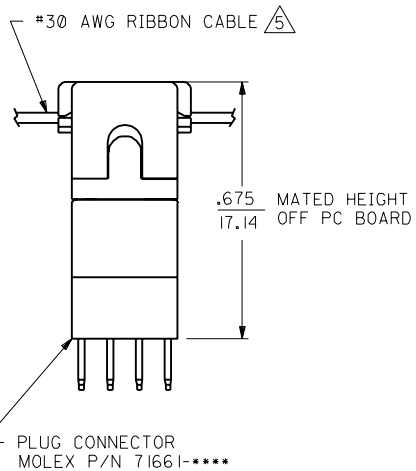
71660

4

3

2

1



71660

A	SEE SHEET 1		
MFG. SH.	REV.	LTR.	REVISIONS

DIMENSIONS SHOWN (METRIC) INCH		UNLESS OTHERWISE SPECIFIED TOLERANCES ANGULAR $\pm 1/2^\circ$	
5 PLACE	$\pm .005$	---	---
2 PLACE	$\pm .01$	± 0.13	
1 PLACE	---	± 0.25	
DRAFT WHERE APPLICABLE MUST REMAIN WITHIN DIMENSIONS			
DRWG. BY DGA	CHK'D. BY DGA	SCALE 4: 1	
PART NO. SEE TABLE		DRWG. NO. SDA-71660-35	
FILE NAME		THIS DRAWING CONTAINS INFORMATION THAT IS PROPRIETARY TO MOLEX INC. AND SHOULD NOT BE USED WITHOUT WRITTEN PERMISSION.	

SALES ASSEMBLY
EBBI VERTICAL IDT RECEPTACLE
FOR PVC AND FEP RIBBON CA

MOLEX INCORPORATED
L15LE,ILL. 60532 U.S.A.

SHEET NO. 2 DATE 00/02/22

REVISIONS

SIZE C C