

**PLEASE CHECK WWW.MOLEX.COM FOR LATEST PART INFORMATION**

**Part Number:** [0010844020](#)  
**Status:** **Active**  
**Overview:** [mlx](#)  
**Description:** 6.35mm (.250) Pitch MLX™ Power Connector Header, Vertical, 2 Circuits, PA Polyamide Nylon 6/6 94V-2, Tin (Sn) Plating, White

**Documents:**

<a href="#">3D Model</a>	<a href="#">Product Specification PSX-42002-0001 (PDF)</a>
<a href="#">Drawing (PDF)</a>	<a href="#">Product Specification PSX-42002-0002 (PDF)</a>
<a href="#">Product Specification PS-42022-0001 (PDF)</a>	<a href="#">RoHS Certificate of Compliance (PDF)</a>

**Agency Certification**

CSA	LR19980
UL	E29179

**General**

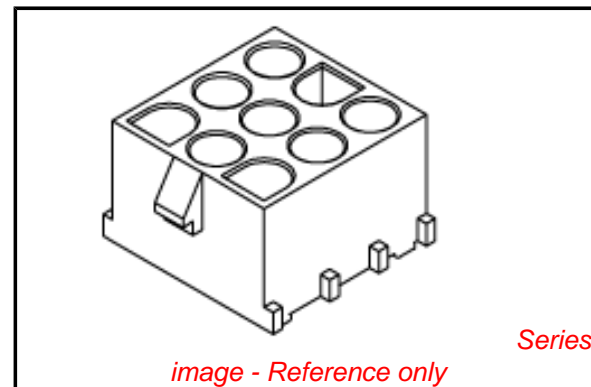
Product Family	PCB Headers
Series	<a href="#">42002</a>
Application	Wire-to-Board
Comments	Solder Type
Overview	<a href="#">mlx</a>
Product Name	MLX™

**Physical**

Breakaway	No
Circuits (Loaded)	2
Circuits (maximum)	2
Color - Resin	Natural
Durability (mating cycles max)	50
First Mate / Last Break	No
Flammability	94V-2
Glow-Wire Compliant	No
Guide to Mating Part	Yes
Keying to Mating Part	Yes
Lock to Mating Part	Yes
Material - Metal	Phosphor Bronze
Material - Plating Mating	Tin
Material - Resin	Nylon
Number of Rows	1
Orientation	Vertical
PC Tail Length (in)	0.168 In
PC Tail Length (mm)	4.27 mm
PCB Retention	Yes
PCB Thickness Recommended (in)	0.125 In
PCB Thickness Recommended (mm)	1.60 mm
Packaging Type	Bag
Pitch - Mating Interface (in)	0.250 In
Pitch - Mating Interface (mm)	6.35 mm
Polarized to PCB	Yes
Shrouded	Fully
Surface Mount Compatible (SMC)	No
Temperature Range - Operating	-55°C to +105°C
Termination Interface: Style	Through Hole

**Electrical**

Current - Maximum per Contact	13.5A
-------------------------------	-------



**EU RoHS**

**ELV and RoHS Compliant**  
**REACH SVHC**  
 Not Reviewed  
**Halogen-Free Status**

**China RoHS**



**Halogen-Free**  
**Need more information on product environmental compliance?**

Email [productcompliance@molex.com](mailto:productcompliance@molex.com)  
 For a multiple part number RoHS Certificate of Compliance, [click here](#)

Please visit the [Contact Us](#) section for any non-product compliance questions.

**Search Parts in this Series**

[42002Series](#)

**Mates With**

[42021 Plug](#)

**Solder Process Data**

Duration at Max. Process Temperature (seconds)	10
Lead-free Process Capability	Wave Capable (TH only)
Process Temperature max. C	260

**Material Info**

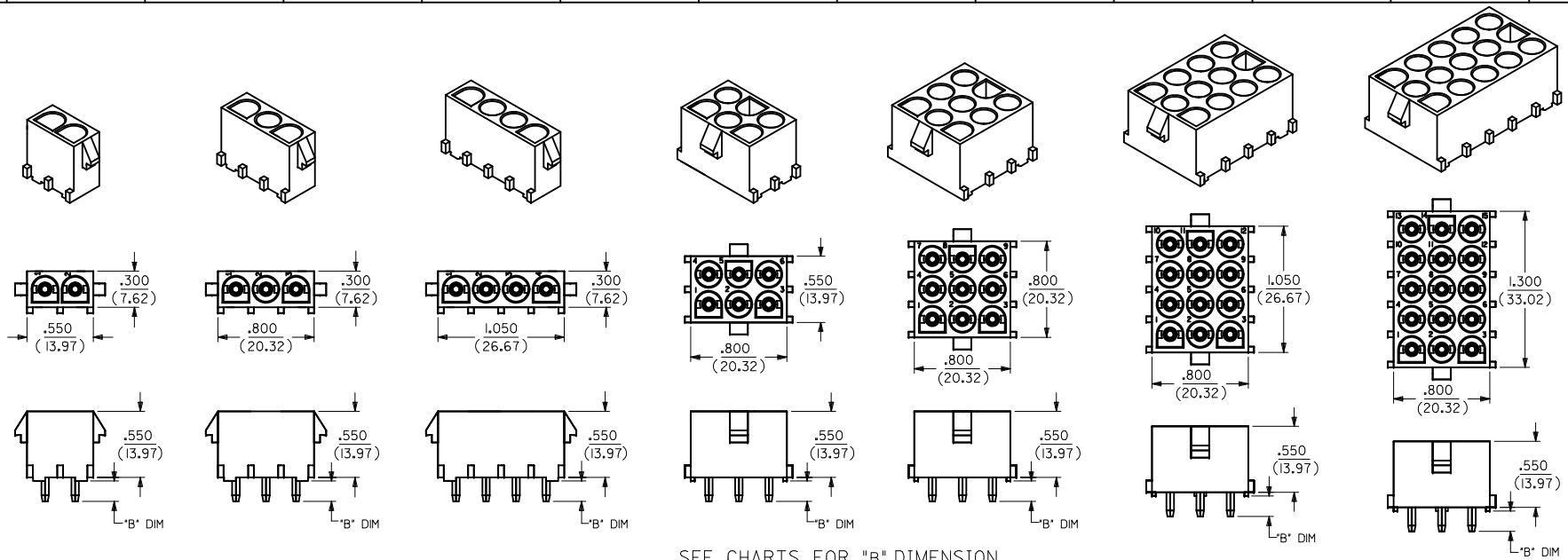
Old Part Number	A-42002-2A1A1
-----------------	---------------

**Reference - Drawing Numbers**

Packaging Specification	PK-43255-001
Product Specification	PS-42022-0001, PSX-42002-0001, PSX-42002-0002
Sales Drawing	SDA-42002-*****

This document was generated on 05/24/2010

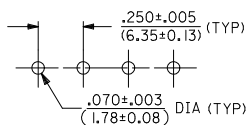
**PLEASE CHECK [WWW.MOLEX.COM](http://WWW.MOLEX.COM) FOR LATEST PART INFORMATION**



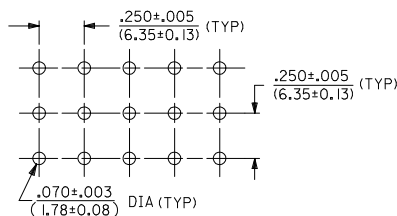
SEE CHARTS FOR "B" DIMENSION

**P.C. BOARD  
MOUNTING DIMENSIONS**

**2, 3, & 4 POSITION HEADER ASSEMBLIES**



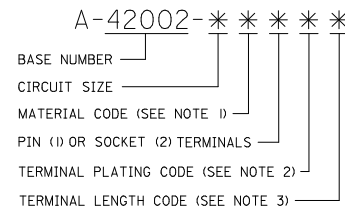
**6, 9, 12 & 15 POSITION HEADER ASSEMBLIES**



**NOTES:**

- 1) MATERIAL CODES:
  - \*A\*= NYLON 6/6, 94V-2, NATURAL
  - \*C\*= PLOYESTER, 94V-0, WHITE/NATURAL
  - \*D\*= NYLON V-2  
COLOUR:BLACK(ZYTEL 101F)
  - \*E\*= NYLON V-2  
COLOUR:NATURAL
  - GLOWWIRE COMPATIBLE WITH CTI OF 325V
- 2) PLATING CODES:
  - A = ES-88-P921
- 3) TERMINAL LENGTH CODES:
  - I= TERMINAL FOR .062/(1.57) THICK PC BOARD
- 4) DIMENSIONS ARE FOR REFERENCE ONLY UNLESS INDICATED OTHERWISE.
- 5) HEADER ASSEMBLY HOUSINGS MATE WITH :  
PLUG HOUSINGS, .084/(2.13) DIA. SERIES: (42021-\*\*\*)
- 6) CONTACTS ARE ON .250/(6.35) GRID CENTERLINE SPACING.

**LEGEND:**



<b>ENTER DESCRIPTION</b> EC NO: 12010-0067 DRAWNS: S01 CHKD: GJLOWE APPR: KPRASAD 2009/11/02 2010/01/27 2010/01/27	<b>QUALITY SYMBOLS</b> ∇=0 ∇=0 ∇=0	<b>GENERAL TOLERANCES (UNLESS SPECIFIED)</b>		<b>DIMENSION STYLE</b> IN/MM		SCALE NTS	DESIGN UNITS INCH	THIRD ANGLE PROJECTION	
		4 PLACES ±--- ±--- 3 PLACES ±--- ±.005 2 PLACES ±0.13 ±.010 1 PLACE ±0.25 ±--- ANGULAR ±---°	mm INCH DRAWN BY SSUDHIR DATE 2004/06/08 CHECKED BY GJLOWE DATE 2004/06/08 APPROVED BY GJLOWE DATE 2004/06/08	MATERIAL NO. <b>SEE CHART</b>	DOCUMENT NO. <b>SDA-42002-*****</b>	<b>HEADER HOUSING ASSEMBLY .084/(2.13)DIA.SERIES</b>		SHEET NO. 1 OF 2	
<b>DRAFT WHERE APPLICABLE MUST REMAIN WITHIN DIMENSIONS</b>		THIS DRAWING CONTAINS INFORMATION THAT IS PROPRIETARY TO MOLEX INCORPORATED AND SHOULD NOT BE USED WITHOUT WRITTEN PERMISSION							

PART NO.	ENG. NO.	CIRCUIT SIZE	MATERIAL (SEE NOTE 1)	INSULATOR PART NO.	PLATING (SEE NOTE 2)	TERMINAL PART NO.	"B" DIM ±.015
10-84-4020	A-42002-2A1A1	2	A	42002-2A	A	42005-P921A	.17/(4,3)
10-84-5020	A-42002-2C1A1		C	42002-2C	A	42005-P921A	
10-84-4022	A-42002-2A2A1		A	42002-2A	A	42006-P921A	
10-84-5021	A-42002-2C2A1		C	42002-2C	A	42006-P921A	
367590101	36759-0101		D	366480042	A	42005-P921A	
367590141	36759-0141		D	366480042	A	42006-P921A	
367570101	36757-0101	E	367570001	A	42005-P921A		
367570141	36757-0141	E	367570001	A	42006-P921A		
10-84-4030	A-42002-3A1A1	3	A	42002-3A	A	42005-P921A	.17/(4,3)
10-84-5030	A-42002-3C1A1		C	42002-3C	A	42005-P921A	
10-84-4032	A-42002-3A2A1		A	42002-3A	A	42006-P921A	
10-84-5031	A-42002-3C2A1		C	42002-3C	A	42006-P921A	
367590102	36759-0102		D	366480043	A	42005-P921A	
367590142	36759-0142		D	366480043	A	42006-P921A	
367570102	36757-0102	E	367570002	A	42005-P921A		
367570142	36757-0142	E	367570002	A	42006-P921A		
10-84-4040	A-42002-4A1A1	4	A	42002-4A	A	42005-P921A	.17/(4,3)
10-84-5040	A-42002-4C1A1		C	42002-4C	A	42005-P921A	
10-84-4042	A-42002-4A2A1		A	42002-4A	A	42006-P921A	
10-84-5041	A-42002-4C2A1		C	42002-4C	A	42006-P921A	
367590103	36759-0103		D	366480044	A	42005-P921A	
367590143	36759-0143		D	366480044	A	42006-P921A	
367570103	36757-0103	E	367570003	A	42005-P921A		
367570143	36757-0143	E	367570003	A	42006-P921A		
10-84-4060	A-42002-6A1A1	6	A	42002-6A	A	42005-P921A	.17/(4,3)
10-84-5060	A-42002-6C1A1		C	42002-6C	A	42005-P921A	
10-84-4062	A-42002-6A2A1		A	42002-6A	A	42006-P921A	
10-84-5061	A-42002-6C2A1		C	42002-6C	A	42006-P921A	
367590104	36759-0104		D	366480045	A	42005-P921A	
367590144	36759-0144		D	366480045	A	42006-P921A	
367570104	36757-0104	E	367570004	A	42005-P921A		
367570144	36757-0144	E	367570004	A	42006-P921A		
10-84-4090	A-42002-9A1A1	9	A	42002-9A	A	42005-P921A	.17/(4,3)
10-84-5090	A-42002-9C1A1		C	42002-9C	A	42005-P921A	
10-84-4092	A-42002-9A2A1		A	42002-9A	A	42006-P921A	
10-84-5091	A-42002-9C2A1		C	42002-9C	A	42006-P921A	
367590105	36759-0105		D	366480046	A	42005-P921A	
367590145	36759-0145		D	366480046	A	42006-P921A	
367570105	36757-0105	E	367570005	A	42005-P921A		
367570145	36757-0145	E	367570005	A	42006-P921A		
10-84-4120	A-42002-12A1A1	12	A	42002-12A	A	42005-P921A	.17/(4,3)
10-84-5120	A-42002-12C1A1		C	42002-12C	A	42005-P921A	
10-84-4122	A-42002-12A2A1		A	42002-12A	A	42006-P921A	
10-84-5121	A-42002-12C2A1		C	42002-12C	A	42006-P921A	
367590106	36759-0106		D	366480047	A	42005-P921A	
367590146	36759-0146		D	366480047	A	42006-P921A	
367570106	36757-0106	E	367570006	A	42005-P921A		
367570146	36757-0146	E	367570006	A	42006-P921A		
10-84-4150	A-42002-15A1A1	15	A	42002-15A	A	42005-P921A	.17/(4,3)
10-84-5150	A-42002-15C1A1		C	42002-15C	A	42005-P921A	
10-84-4152	A-42002-15A2A1		A	42002-15A	A	42006-P921A	
10-84-5151	A-42002-15C2A1		C	42002-15C	A	42006-P921A	
367590107	36759-0107		D	366480057	A	42005-P921A	
367590147	36759-0147		D	366480057	A	42006-P921A	
367570107	36757-0107	E	367570007	A	42005-P921A		
367570147	36757-0147	E	367570007	A	42006-P921A		

<b>ENTER DESCRIPTION</b> ELEC NO: 2010-0067 DRWNS01 CHKDGJLWE APPR:KFRASAD 2010/01/27 2010/01/27	<b>QUALITY SYMBOLS</b> ∇=0 ∇=0 ∇=0	<b>GENERAL TOLERANCES (UNLESS SPECIFIED)</b> mm INCH		<b>DIMENSION STYLE</b> IN/MM		SCALE NTS	DESIGN UNITS INCH	THIRD ANGLE PROJECTION	
		4 PLACES ±.005 ±.005 3 PLACES ±.013 ±.010 2 PLACES ±0.25 ±.005 1 PLACE ±.025 ±.005		DRAWN BY DATE SSUDHIR 2004/06/08		CHECKED BY DATE GJLOWE 2004/06/08		TITLE HEADER HOUSING ASSEMBLY .084/(2.13)DIA.SERIES	
		APPROVED BY DATE GJLOWE 2004/06/08		MATERIAL NO.		DOCUMENT NO.		SHEET NO.	
		DRAFT WHERE APPLICABLE MUST REMAIN WITHIN DIMENSIONS		SEE CHART		SDA-42002-*****		2 OF 2	
THIS DRAWING CONTAINS INFORMATION THAT IS PROPRIETARY TO MOLEX INCORPORATED AND SHOULD NOT BE USED WITHOUT WRITTEN PERMISSION									