

**PLEASE CHECK WWW.MOLEX.COM FOR LATEST PART INFORMATION**

**Part Number:** [0702871173](#)  
**Status:** **Active**  
**Description:** 2.54mm (.100") Pitch C-Grid® Header, Breakaway, Dual Row, Vertical, with Retention Pin, 56 Circuits, 8.13mm (.320") Mating Pin Length, 0.38µm (15µ") Gold (Au) Selective Plating

**Documents:**

|   |  |
|---|--|
| <a href="#">3D Model</a>                      | <a href="#">Product Specification PS-70280 (PDF)</a> |
| <a href="#">Packaging Specification (PDF)</a> | <a href="#">RoHS Certificate of Compliance (PDF)</a> |
| <a href="#">Drawing (PDF)</a>                 |  |

**Agency Certification**

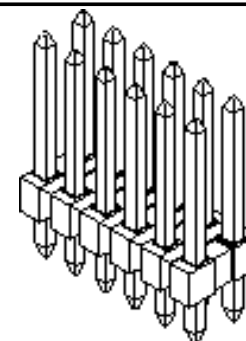
|     |         |
|-----|---------|
| CSA | LR19980 |
| UL  | E29179  |

**General**

|                |                               |
|----------------|-------------------------------|
| Product Family | PCB Headers                   |
| Series         | <a href="#">70287</a>         |
| Application    | Board-to-Board, Wire-to-Board |
| Product Name   | C-Grid®                       |

**Physical**

|                                |                                |
|--------------------------------|--------------------------------|
| Breakaway                      | Yes                            |
| Circuits (Loaded)              | 56                             |
| Circuits (maximum)             | 56                             |
| Color - Resin                  | Black                          |
| Durability (mating cycles max) | 25                             |
| First Mate / Last Break        | No                             |
| Flammability                   | 94V-0                          |
| Glow-Wire Compliant            | No                             |
| Guide to Mating Part           | No                             |
| Keying to Mating Part          | N/A                            |
| Lock to Mating Part            | None                           |
| Material - Metal               | Brass                          |
| Material - Plating Mating      | Gold                           |
| Material - Plating Termination | Tin                            |
| Material - Resin               | High Temperature Thermoplastic |
| Number of Rows                 | 2                              |
| Orientation                    | Vertical                       |
| PC Tail Length (in)            | 0.125 In                       |
| PC Tail Length (mm)            | 3.18 mm                        |
| PCB Locator                    | No                             |
| PCB Retention                  | None                           |
| PCB Thickness Recommended (in) | 0.062 In                       |
| PCB Thickness Recommended (mm) | 1.57 mm                        |
| Packaging Type                 | Bag                            |
| Pitch - Mating Interface (in)  | 0.100 In                       |
| Pitch - Mating Interface (mm)  | 2.54 mm                        |
| Pitch - Term. Interface (in)   | 0.100 In                       |
| Pitch - Term. Interface (mm)   | 2.54 mm                        |
| Plating min: Mating (µin)      | 15.200                         |
| Plating min: Mating (µm)       | 0.38                           |
| Plating min: Termination (µin) | 80.000                         |
| Plating min: Termination (µm)  | 2.00                           |
| Polarized to Mating Part       | No                             |
| Polarized to PCB               | No                             |



*Series  
image - Reference only*

**EU RoHS**

**ELV and RoHS  
Compliant**  
**REACH SVHC  
Contains SVHC: No**  
**Halogen-Free**  
**Status  
Not Reviewed**

**China RoHS**



**Need more information on product  
environmental compliance?**

Email [productcompliance@molex.com](mailto:productcompliance@molex.com)  
 For a multiple part number RoHS Certificate of Compliance, [click here](#)

Please visit the [Contact Us](#) section for any non-product compliance questions.

**Search Parts in this Series**

[70287Series](#)

**Mates With**

7859 Shunt, C-Grid Receptacles, SL™  
 Crimp, FFC and IDT Housing

|                                |                 |
|--------------------------------|-----------------|
| Shrouded                       | No              |
| Stackable                      | Yes             |
| Surface Mount Compatible (SMC) | Yes             |
| Temperature Range - Operating  | -40°C to +120°C |
| Termination Interface: Style   | Through Hole    |

#### **Electrical**

|                               |         |
|-------------------------------|---------|
| Current - Maximum per Contact | 3A      |
| Voltage - Maximum             | 250V DC |

#### **Solder Process Data**

|  |                        |
|--|------------------------|
| Duration at Max. Process Temperature (seconds) | 5                      |
| Lead-free Process Capability                   | Wave Capable (TH only) |
| Max. Cycles at Max. Process Temperature        | 1                      |
| Process Temperature max. C                     | 260                    |

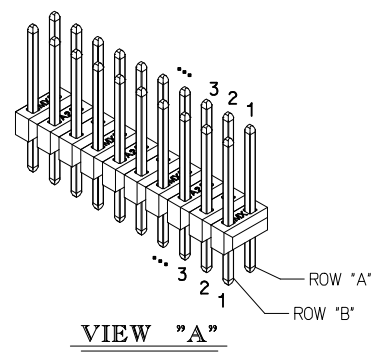
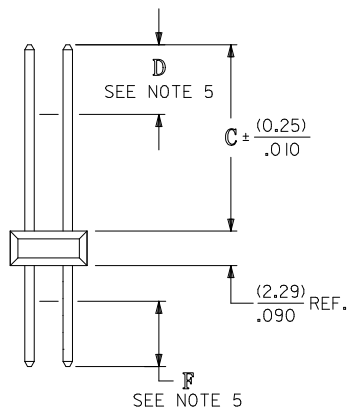
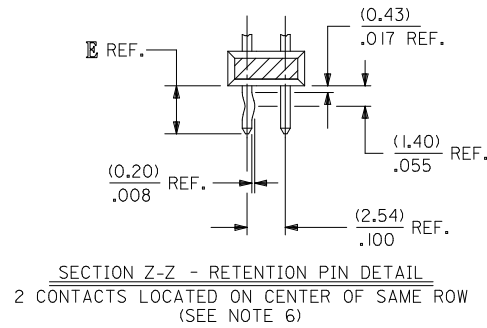
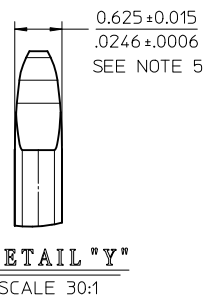
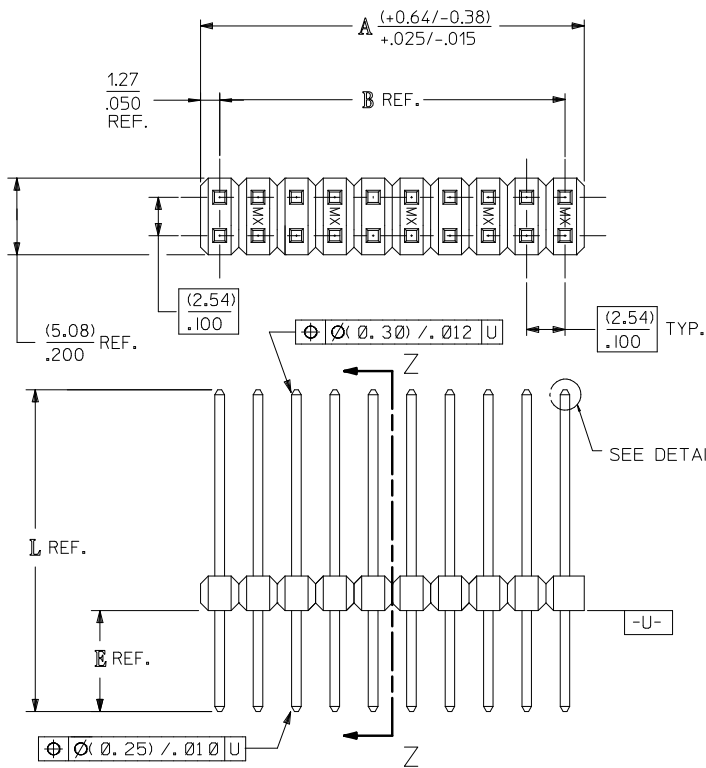
#### **Material Info**

#### **Reference - Drawing Numbers**

|                       |              |
|-----------------------|--------------|
| Product Specification | PS-70280     |
| Sales Drawing         | SD-70287-003 |

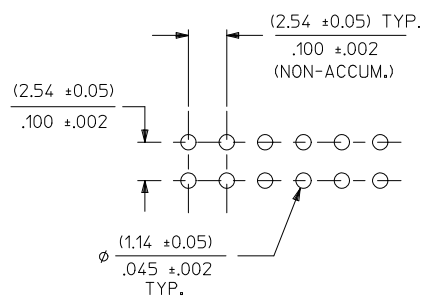
This document was generated on 03/31/2010

**PLEASE CHECK [WWW.MOLEX.COM](http://WWW.MOLEX.COM) FOR LATEST PART INFORMATION**



- NOTES:**
- MATERIAL: WAFER - GLASS FILLED LIQUID CRYSTAL POLYMER, UL94V-0, COLOR: BLACK  
PIN - COPPER ALLOY
  - FINISH: (TIN) OVERALL TIN: (0.00381)/.000150 MIN., OVERALL NICKEL UNDERPLATE: (0.00127)/.000050 MIN.  
(15 GOLD) SELECT GOLD: (0.00038)/.000015 MIN., SELECT TIN: (0.00191)/.000075 MIN., OVERALL NICKEL UNDERPLATE: (0.00127)/.000050 MIN.  
(30 GOLD) SELECT GOLD: (0.00076)/.000030 MIN., SELECT TIN: (0.00191)/.000075 MIN., OVERALL NICKEL UNDERPLATE: (0.00127)/.000050 MIN.
  - PRODUCT SPECIFICATION: PS-70280
  - PACKAGING INFORMATION: (UNLESS OTHERWISE NOTED IN TABLES)  
PARTS TO BE PACKAGED PER PK-70873-0353.
  - MEASURE POINT FOR PLATING THICKNESS, DIMENSION D IS ALSO THE MEASURE POINT FOR PIN WIDTH.
  - RETENTIVE TAIL LOCATIONS (SEE VIEW "A")

| NUMBER OF CIRCUITS IN ROW B | RETENTIVE TAIL LOCATIONS   |
|-----------------------------|--|
| EVEN NUMBER                 | 2 PINS IN THE MIDDLE OF ROW B  |
| ODD NUMBER                  | PIN IN THE CENTER OF ROW B AND ONE OTHER PIN IN ROW B ON EITHER SIDE OF THE CENTER PIN |



PCB LAYOUT: COMPONENT SIDE  
TYPICAL PCB THICKNESS: (1.57)/.062

| CKT. SIZE | DIM. A REF. |       | DIM. B REF. |       |
|-----------|-------------|-------|-------------|-------|
|           | (MM)        | INCH  | (MM)        | INCH  |
| 4         | (5.08)      | .200  | (2.54)      | .100  |
| 6         | (7.62)      | .300  | (5.08)      | .200  |
| 8         | (10.16)     | .400  | (7.62)      | .300  |
| 10        | (12.70)     | .500  | (10.16)     | .400  |
| 12        | (15.24)     | .600  | (12.70)     | .500  |
| 14        | (17.78)     | .700  | (15.24)     | .600  |
| 16        | (20.32)     | .800  | (17.78)     | .700  |
| 18        | (22.86)     | .900  | (20.32)     | .800  |
| 20        | (25.40)     | 1.000 | (22.86)     | .900  |
| 22        | (27.94)     | 1.100 | (25.40)     | 1.000 |
| 24        | (30.48)     | 1.200 | (27.94)     | 1.100 |
| 26        | (33.02)     | 1.300 | (30.48)     | 1.200 |
| 28        | (35.56)     | 1.400 | (33.02)     | 1.300 |
| 30        | (38.10)     | 1.500 | (35.56)     | 1.400 |
| 32        | (40.64)     | 1.600 | (38.10)     | 1.500 |
| 34        | (43.18)     | 1.700 | (40.64)     | 1.600 |
| 36        | (45.72)     | 1.800 | (43.18)     | 1.700 |
| 38        | (48.26)     | 1.900 | (45.72)     | 1.800 |
| 40        | (50.80)     | 2.000 | (48.26)     | 1.900 |
| 42        | (53.34)     | 2.100 | (50.80)     | 2.000 |
| 44        | (55.88)     | 2.200 | (53.34)     | 2.100 |
| 46        | (58.42)     | 2.300 | (55.88)     | 2.200 |
| 48        | (60.96)     | 2.400 | (58.42)     | 2.300 |
| 50        | (63.50)     | 2.500 | (60.96)     | 2.400 |
| 52        | (66.04)     | 2.600 | (63.50)     | 2.500 |
| 54        | (68.58)     | 2.700 | (66.04)     | 2.600 |
| 56        | (71.12)     | 2.800 | (68.58)     | 2.700 |
| 58        | (73.66)     | 2.900 | (71.12)     | 2.800 |
| 60        | (76.20)     | 3.000 | (73.66)     | 2.900 |
| 62        | (78.74)     | 3.100 | (76.20)     | 3.000 |
| 64        | (81.28)     | 3.200 | (78.74)     | 3.100 |
| 66        | (83.82)     | 3.300 | (81.28)     | 3.200 |
| 68        | (86.36)     | 3.400 | (83.82)     | 3.300 |
| 70        | (88.90)     | 3.500 | (86.36)     | 3.400 |
| 72        | (91.44)     | 3.600 | (88.90)     | 3.500 |
| 74        | (93.98)     | 3.700 | (91.44)     | 3.600 |
| 76        | (96.52)     | 3.800 | (93.98)     | 3.700 |
| 78        | (99.06)     | 3.900 | (96.52)     | 3.800 |
| 80        | (101.60)    | 4.000 | (99.06)     | 3.900 |
| 82        | (104.14)    | 4.100 | (101.60)    | 4.000 |
| 84        | (106.68)    | 4.200 | (104.14)    | 4.100 |
| 86        | (109.22)    | 4.300 | (106.68)    | 4.200 |
| 88        | (111.76)    | 4.400 | (109.22)    | 4.300 |
| 90        | (114.30)    | 4.500 | (111.76)    | 4.400 |
| 92        | (116.84)    | 4.600 | (114.30)    | 4.500 |
| 94        | (119.38)    | 4.700 | (116.84)    | 4.600 |
| 96        | (121.92)    | 4.800 | (119.38)    | 4.700 |
| 98        | (124.46)    | 4.900 | (121.92)    | 4.800 |
| 100       | (127.00)    | 5.000 | (124.46)    | 4.900 |

|   |                          |  |  |   |   |                        |  |
|---|--------------------------|--|--|---|---|------------------------|--|
| <b>REMOVE PART #S</b><br>EC NO: UCP2010-0011<br>DRAWN: KIPPER 2010/02/12<br>CHKD: BELLS 2010/02/15<br>APPR: FSMITH 2010/03/02 | QUALITY SYMBOLS          | GENERAL TOLERANCES (UNLESS SPECIFIED)  | DIMENSION STYLE  | SCALE   | DESIGN UNITS  | THIRD ANGLE PROJECTION |  |
|   | $\nabla=0$<br>$\nabla=0$ | mm INCH  | MM/IN  | 1:1   | INCH  |                        |  |
|   |                          | 4 PLACES ± --- ± ---<br>3 PLACES ± --- ± .005<br>2 PLACES ± 0.13 ± .01<br>1 PLACE ± 0.25 ± --- | DRAWN BY DATE<br>ADERR 2006/09/01<br>CHECKED BY DATE<br>LSCHMIDT 2006/09/01<br>APPROVED BY DATE<br>FSMITH 2006/09/05 | TITLE   | SALES ASSY-HIGH TEMP. DUAL ROW, .025" SQ PINS .100" GRID W/ RET. PINS |                        |  |
|   |                          | ANGULAR ± 1/2°   | MATERIAL NO.   | MOLEX INCORPORATED  |   |                        |  |
|   |                          | DRAFT WHERE APPLICABLE MUST REMAIN WITHIN DIMENSIONS   | SEE CHART  | DOCUMENT NO.  | SD-70287-003  |                        |  |
|   |                          |  | SIZE C   | THIS DRAWING CONTAINS INFORMATION THAT IS PROPRIETARY TO MOLEX INCORPORATED AND SHOULD NOT BE USED WITHOUT WRITTEN PERMISSION |   |                        |  |

PARTS LISTED ON THIS DRAWING REPLACE PARTS LISTED ON DRAWING SDA-70287-0001-5000 WHICH WILL BECOME OBSOLETE.

|      |      |
|------|------|
| 2*   | B1   |
| 1    | B1   |
| SHT. | REV. |
|      | B1   |

ENG. NO: A-70287-1049 / 1097

|                         |                 |                      |                 |
|-------------------------|-----------------|----------------------|-----------------|
| DIM. C                  |                 | (8.13) / .320        |                 |
| DIM. E (REF.)           |                 | (3.18) / .125        |                 |
| DIM. L (REF.)           |                 | (13.59) / .535       |                 |
| MATING SIDE PLATING     |                 | TIN                  |                 |
| DIM. D (MEASURE PT.)    |                 | (4.57) / .180        |                 |
| P.C. BOARD SIDE PLATING |                 | TIN                  |                 |
| DIM. F (MEASURE PT.)    |                 | (1.27) / .050        |                 |
| RETENTIVE PIN LOCATION  |                 | SEE NOTE 6, SHEET 1  |                 |
| PACKAGING               |                 | BULK - PK-70873-0353 |                 |
| CKTS                    | MATERIAL NUMBER | CKTS                 | MATERIAL NUMBER |
| 04                      | 70287-1049      | 54                   | 70287-1074      |
| 06                      | 70287-1050      | 56                   | 70287-1075      |
| 08                      | 70287-1051      | 58                   | 70287-1076      |
| 10                      | 70287-1052      | 60                   | 70287-1077      |
| 12                      | 70287-1053      | 62                   | 70287-1078      |
| 14                      | 70287-1054      | 64                   | 70287-1079      |
| 16                      | 70287-1055      | 66                   | 70287-1080      |
| 18                      | 70287-1056      | 68                   | 70287-1081      |
| 20                      | 70287-1057      | 70                   | 70287-1082      |
| 22                      | 70287-1058      | 72                   | 70287-1083      |
| 24                      | 70287-1059      | 74                   | 70287-1084      |
| 26                      | 70287-1060      | 76                   | 70287-1085      |
| 28                      | 70287-1061      | 78                   | 70287-1086      |
| 30                      | 70287-1062      | 80                   | 70287-1087      |
| 32                      | 70287-1063      | 82                   | 70287-1088      |
| 34                      | 70287-1064      | 84                   | 70287-1089      |
| 36                      | 70287-1065      | 86                   | 70287-1090      |
| 38                      | 70287-1066      | 88                   | 70287-1091      |
| 40                      | 70287-1067      | 90                   | 70287-1092      |
| 42                      | 70287-1068      | 92                   | 70287-1093      |
| 44                      | 70287-1069      | 94                   | 70287-1094      |
| 46                      | 70287-1070      | 96                   | 70287-1095      |
| 48                      | 70287-1071      | 98                   | 70287-1096      |
| 50                      | 70287-1072      | 100                  | 70287-1097      |
| 52                      | 70287-1073      |                      |                 |

ENG. NO: A-70287-1147 / 1195

|                         |                 |                      |                 |
|-------------------------|-----------------|----------------------|-----------------|
| DIM. C                  |                 | (8.13) / .320        |                 |
| DIM. E (REF.)           |                 | (3.18) / .125        |                 |
| DIM. L (REF.)           |                 | (13.59) / .535       |                 |
| MATING SIDE PLATING     |                 | 15 GOLD              |                 |
| DIM. D (MEASURE PT.)    |                 | (4.57) / .180        |                 |
| P.C. BOARD SIDE PLATING |                 | TIN                  |                 |
| DIM. F (MEASURE PT.)    |                 | (1.27) / .050        |                 |
| RETENTIVE PIN LOCATION  |                 | SEE NOTE 6, SHEET 1  |                 |
| PACKAGING               |                 | BULK - PK-70873-0353 |                 |
| CKTS                    | MATERIAL NUMBER | CKTS                 | MATERIAL NUMBER |
| 04                      | 70287-1147      | 54                   | 70287-1172      |
| 06                      | 70287-1148      | 56                   | 70287-1173      |
| 08                      | 70287-1149      | 58                   | 70287-1174      |
| 10                      | 70287-1150      | 60                   | 70287-1175      |
| 12                      | 70287-1151      | 62                   | 70287-1176      |
| 14                      | 70287-1152      | 64                   | 70287-1177      |
| 16                      | 70287-1153      | 66                   | 70287-1178      |
| 18                      | 70287-1154      | 68                   | 70287-1179      |
| 20                      | 70287-1155      | 70                   | 70287-1180      |
| 22                      | 70287-1156      | 72                   | 70287-1181      |
| 24                      | 70287-1157      | 74                   | 70287-1182      |
| 26                      | 70287-1158      | 76                   | 70287-1183      |
| 28                      | 70287-1159      | 78                   | 70287-1184      |
| 30                      | 70287-1160      | 80                   | 70287-1185      |
| 32                      | 70287-1161      | 82                   | 70287-1186      |
| 34                      | 70287-1162      | 84                   | 70287-1187      |
| 36                      | 70287-1163      | 86                   | 70287-1188      |
| 38                      | 70287-1164      | 88                   | 70287-1189      |
| 40                      | 70287-1165      | 90                   | 70287-1190      |
| 42                      | 70287-1166      | 92                   | 70287-1191      |
| 44                      | 70287-1167      | 94                   | 70287-1192      |
| 46                      | 70287-1168      | 96                   | 70287-1193      |
| 48                      | 70287-1169      | 98                   | 70287-1194      |
| 50                      | 70287-1170      | 100                  | 70287-1195      |
| 52                      | 70287-1171      |                      |                 |

|   |   |   |                               |
|---|---|---|-------------------------------|
| REV:<br><b>B1</b>                       | ECR/ECN INFORMATION                     | TITLE:<br><b>SALES ASS'Y – HIGH TEMP.<br/>DUAL ROW, .025" SQ PINS<br/>.100" GRID W/ RET. PINS</b> | SHEET No.                     |
|   | EC No: <b>UCP2010-0011</b>              |   | <b>- 2 -</b>                  |
|   | DATE: <b>3/2/2010</b>                   |   |                               |
| DOCUMENT NUMBER:<br><b>SD-70287-003</b> | CREATED / REVISED BY:<br><b>MKIPPER</b> | CHECKED BY:<br><b>JBELL</b>   | APPROVED BY:<br><b>FSMITH</b> |

ENG. NO: A-70287-1245 / 1293

|                         |                 |                      |                 |
|-------------------------|-----------------|----------------------|-----------------|
| DIM. C                  |                 | (8.13) / .320        |                 |
| DIM. E (REF.)           |                 | (3.18) / .125        |                 |
| DIM. L (REF.)           |                 | (13.59) / .535       |                 |
| MATING SIDE PLATING     |                 | 30 GOLD              |                 |
| DIM. D (MEASURE PT.)    |                 | (4.57) / .180        |                 |
| P.C. BOARD SIDE PLATING |                 | TIN                  |                 |
| DIM. F (MEASURE PT.)    |                 | (1.27) / .050        |                 |
| RETENTIVE PIN LOCATION  |                 | SEE NOTE 6, SHEET 1  |                 |
| PACKAGING               |                 | BULK - PK-70873-0353 |                 |
| CKTS                    | MATERIAL NUMBER | CKTS                 | MATERIAL NUMBER |
| 04                      | 70287-1245      | 54                   | 70287-1270      |
| 06                      | 70287-1246      | 56                   | 70287-1271      |
| 08                      | 70287-1247      | 58                   | 70287-1272      |
| 10                      | 70287-1248      | 60                   | 70287-1273      |
| 12                      | 70287-1249      | 62                   | 70287-1274      |
| 14                      | 70287-1250      | 64                   | 70287-1275      |
| 16                      | 70287-1251      | 66                   | 70287-1276      |
| 18                      | 70287-1252      | 68                   | 70287-1277      |
| 20                      | 70287-1253      | 70                   | 70287-1278      |
| 22                      | 70287-1254      | 72                   | 70287-1279      |
| 24                      | 70287-1255      | 74                   | 70287-1280      |
| 26                      | 70287-1256      | 76                   | 70287-1281      |
| 28                      | 70287-1257      | 78                   | 70287-1282      |
| 30                      | 70287-1258      | 80                   | 70287-1283      |
| 32                      | 70287-1259      | 82                   | 70287-1284      |
| 34                      | 70287-1260      | 84                   | 70287-1285      |
| 36                      | 70287-1261      | 86                   | 70287-1286      |
| 38                      | 70287-1262      | 88                   | 70287-1287      |
| 40                      | 70287-1263      | 90                   | 70287-1288      |
| 42                      | 70287-1264      | 92                   | 70287-1289      |
| 44                      | 70287-1265      | 94                   | 70287-1290      |
| 46                      | 70287-1266      | 96                   | 70287-1291      |
| 48                      | 70287-1267      | 98                   | 70287-1292      |
| 50                      | 70287-1268      | 100                  | 70287-1293      |
| 52                      | 70287-1269      |                      |                 |

|                     |      |                            |              |  |              |
|---------------------|------|----------------------------|--------------|--|--------------|
| <b>B1</b>           | REV: | ECR/ECN INFORMATION        | TITLE:       | SALES ASS'Y – HIGH TEMP.<br>DUAL ROW, .025" SQ PINS<br>.100" GRID W/ RET. PINS | SHEET No.    |
|                     |      | EC No: <b>UCP2010-0011</b> |              |  | <b>- 3 -</b> |
|                     |      | DATE: <b>3/2/2010</b>      |              |  |              |
| DOCUMENT NUMBER:    |      | CREATED / REVISED BY:      | CHECKED BY:  | APPROVED BY:   |              |
| <b>SD-70287-003</b> |      | <b>MKIPPER</b>             | <b>JBELL</b> | <b>FSMITH</b>  |              |